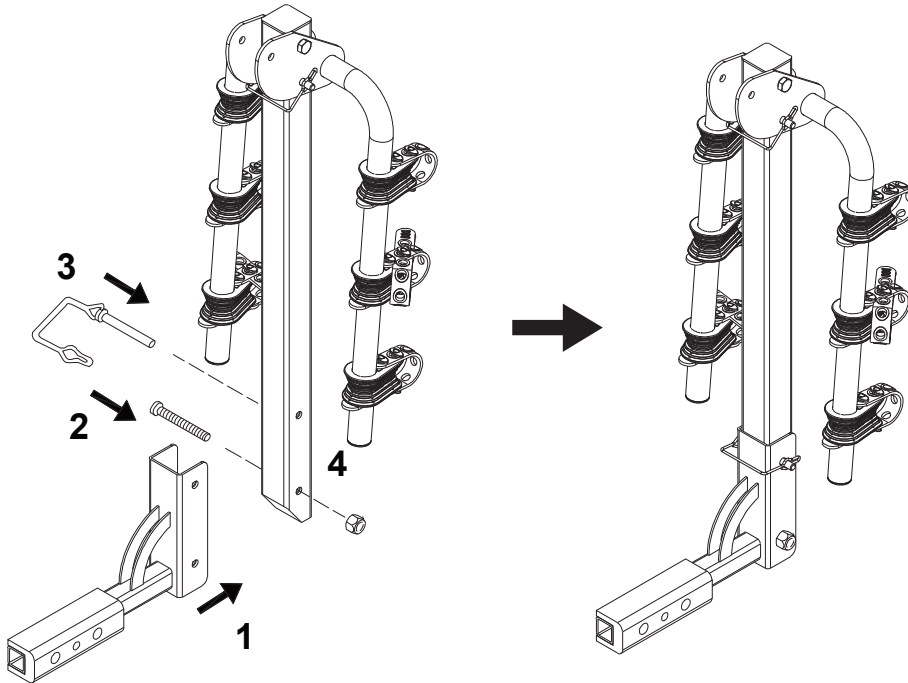


Bike Rack Description:

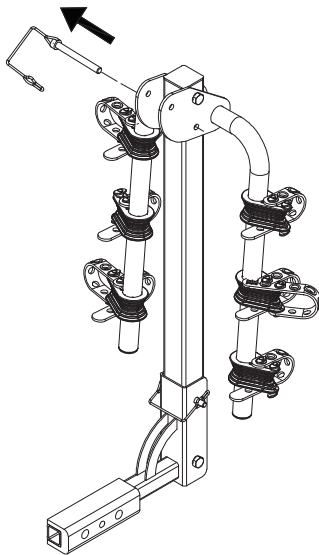
- Holds 3 Bikes
- Designed to accommodate both 1 ¼" and 2" hitch receivers by just the simple removal of one screw.
- Pivot design allows easy axis to rear doors and lids of the vehicle.

Section 1 - Bike Rack Assembly:

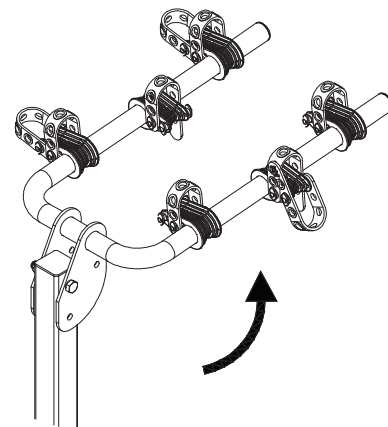
STEP 1: Attach hitch (1) to rack bar (4). Insert bolt (2) through bottom hole of U-joint hitch and out the other end. Attach lock nut to the bolt and secure tight enough where the rack bar is able to pivot. Insert locking pin (3) through top hole of U-joint and secure in place with latch.



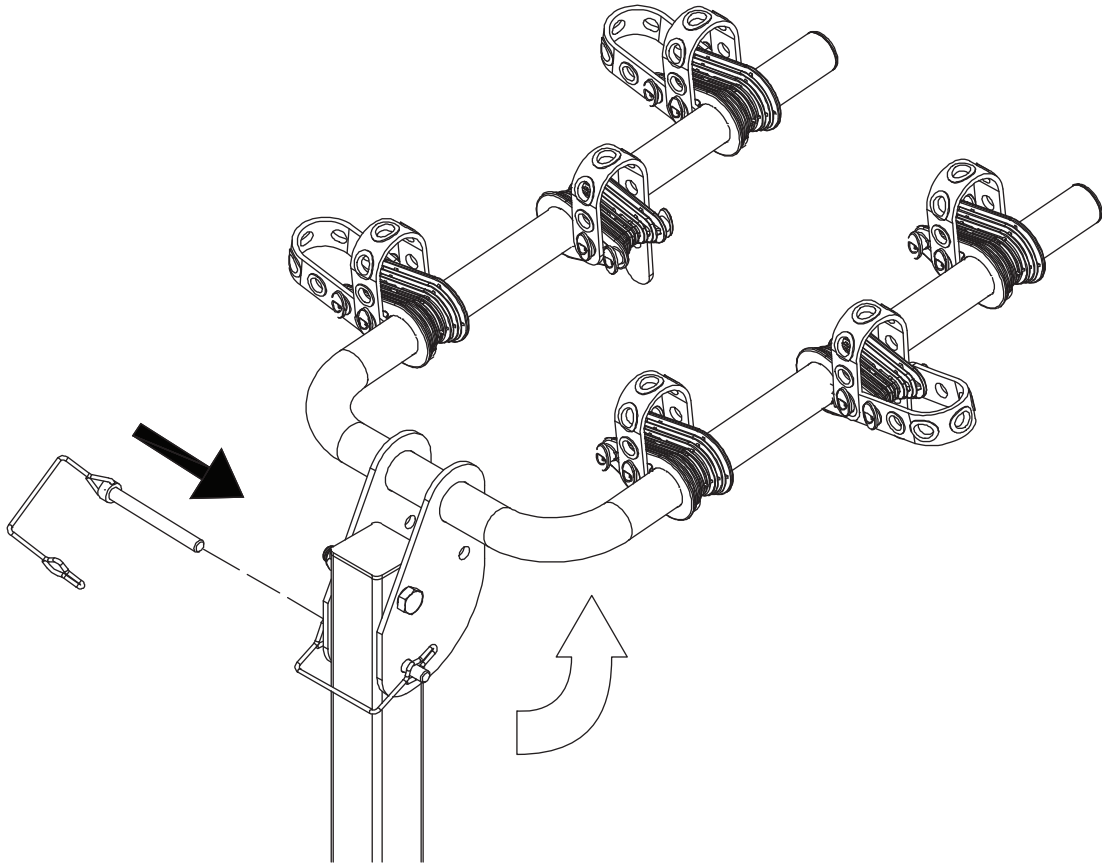
STEP 2: Remove upper lock pin to free bike rack mounting bar.



STEP 3: Rotate bike rack mount bar until holes match up.

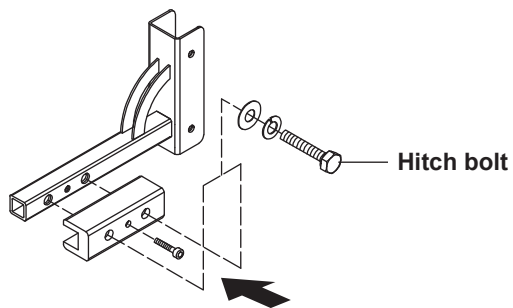


STEP 4: Rotate bike rack mount bar until holes match up.



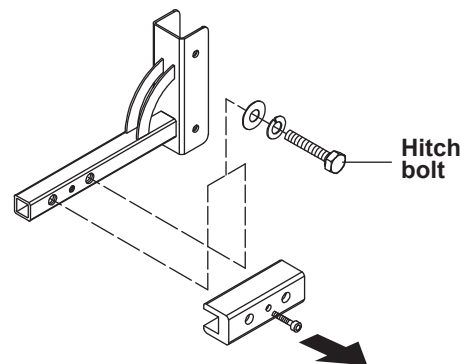
STEP 5: Follow instruction for your specific type of hitch receiver.

For a 2" hitch receiver



- Attach block by inserting the screw into the side of the block.
- Insert hitch bolt to secure rack

For a 1 1/4" hitch receiver

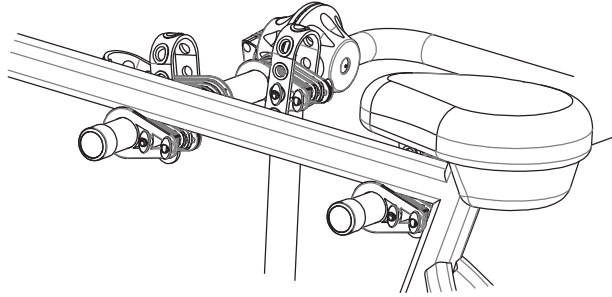


- Detach block by removing the screw from the side of the block. Place block and screw in a secure location for future use.
- Insert hitch bolt to secure rack

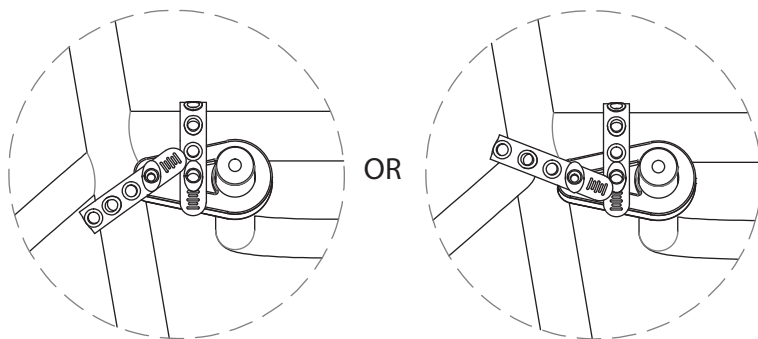
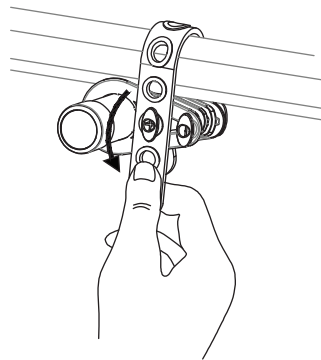
Section 2 - Bike Mounting:

STEP 1: Place bike in front of bike rack mounting bar.

STEP 2: Place bike on mounting pads.



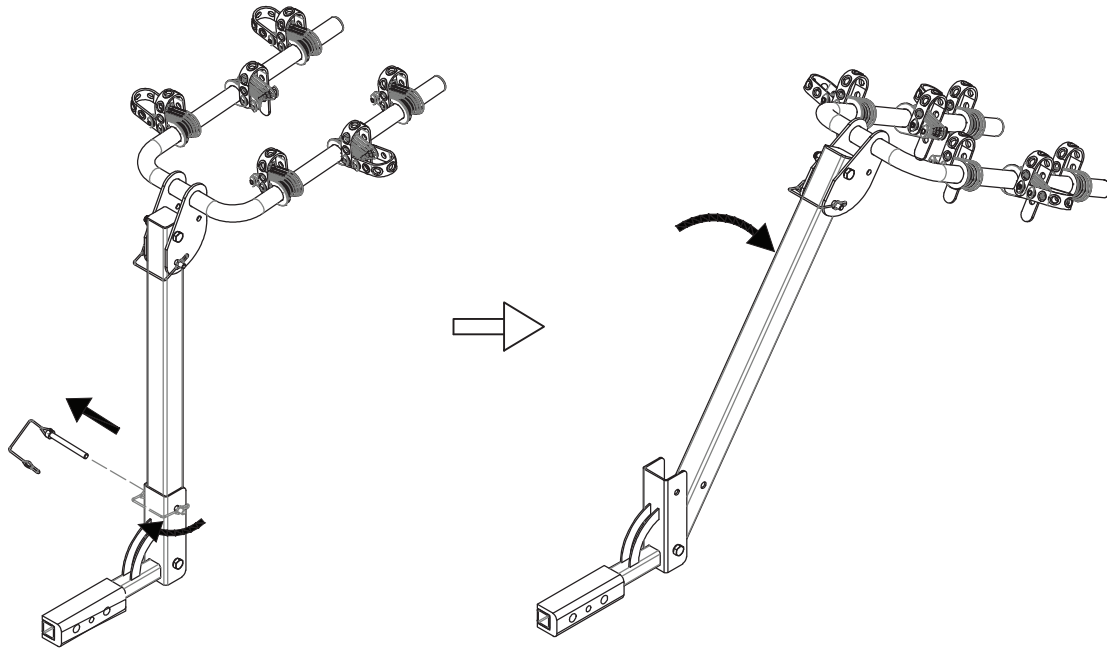
STEP 3: Strap bike in position using the rubber straps on the mounting pads. The straps need to be in tension so that the bike does not bounce off the mounting pads.



This completes bike mounting.

For Trunk Access Clearance:

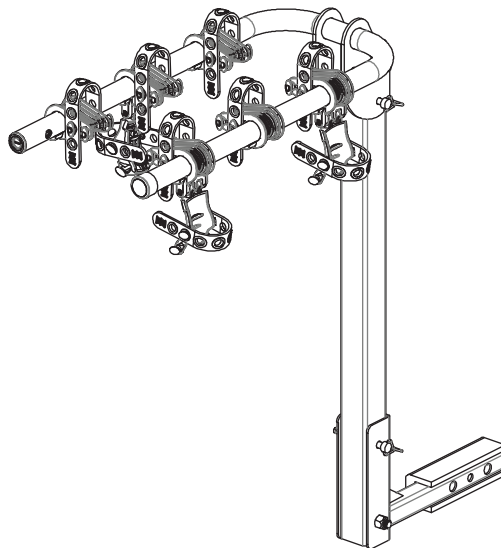
Remove lower lock pin. Lower bike rack away from the vehicle into angled position for clearance. Reset position and Re-pin lock pin before operating the vehicle or mounting bikes.

**Safety Inspection:**

STEP 1: Inspect all straps.

STEP 2: With both hands, shake the bike up, down, left and right to confirm bike and rack are secured.

This completes safety inspections.





BR-3001-3B Bike Rack Instructions

Disclaimer

When using Bully Load carriers and accessories, the user must understand the precautions. The points listed below will assist you in using the rack system and will encourage safety.

- For quality fits and safety, use only the recommended rack or accessory.
- Unless stated otherwise in these instructions, do not carry more than 59 kg (130 lbs.) on Bully load carriers. Bully cannot warranty loads that exceed this limit.
Total load = cargo weight plus weight of accessories used to carry cargo.
- Check local and state laws governing projection of objects beyond the perimeter of a vehicle. Be aware of the width and height of your cargo since low clearance can affect the load. All cargo will affect the vehicle's driving behavior. Never drive with any lock, knob or rack in an open or unlocked position.
- All locks must be turned and moved periodically to ensure smooth operation. Remove valuable gear if your vehicle is unattended for an extended period. Place at least one key in the glove compartment.
- For safety to your vehicle and rack system, obey all posted speed limits and traffic cautions. Adapt your speed to the conditions of the road and the load being carried.
- Do not use Bully load carriers and accessories for purposes other than those for which they were designed. Do not exceed their carrying capacity. Failure to follow these guidelines or the product's instructions will void the warranty.
- All loads must be secured using the provided straps.
- Review all instructions and warranty information carefully.
- Not for use on trailers or towed vehicles.
- Not for offroad use.
- Keep bicycle tires away from hot exhaust.

WARNINGS / LIMITATIONS

- Carrying capacity should not exceed designated carrying capacity for specific model.
- Check tightness of all bolts and straps periodically.
- Not intended for tandems or recumbents.
- Do not exceed weight per class of receiver
- Do not install on trailer or towed vehicle.
- Failure to use strap may result in loss of bicycles.
- Replace Worn or Torn Straps