

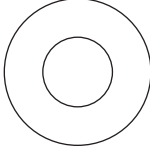
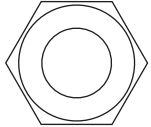
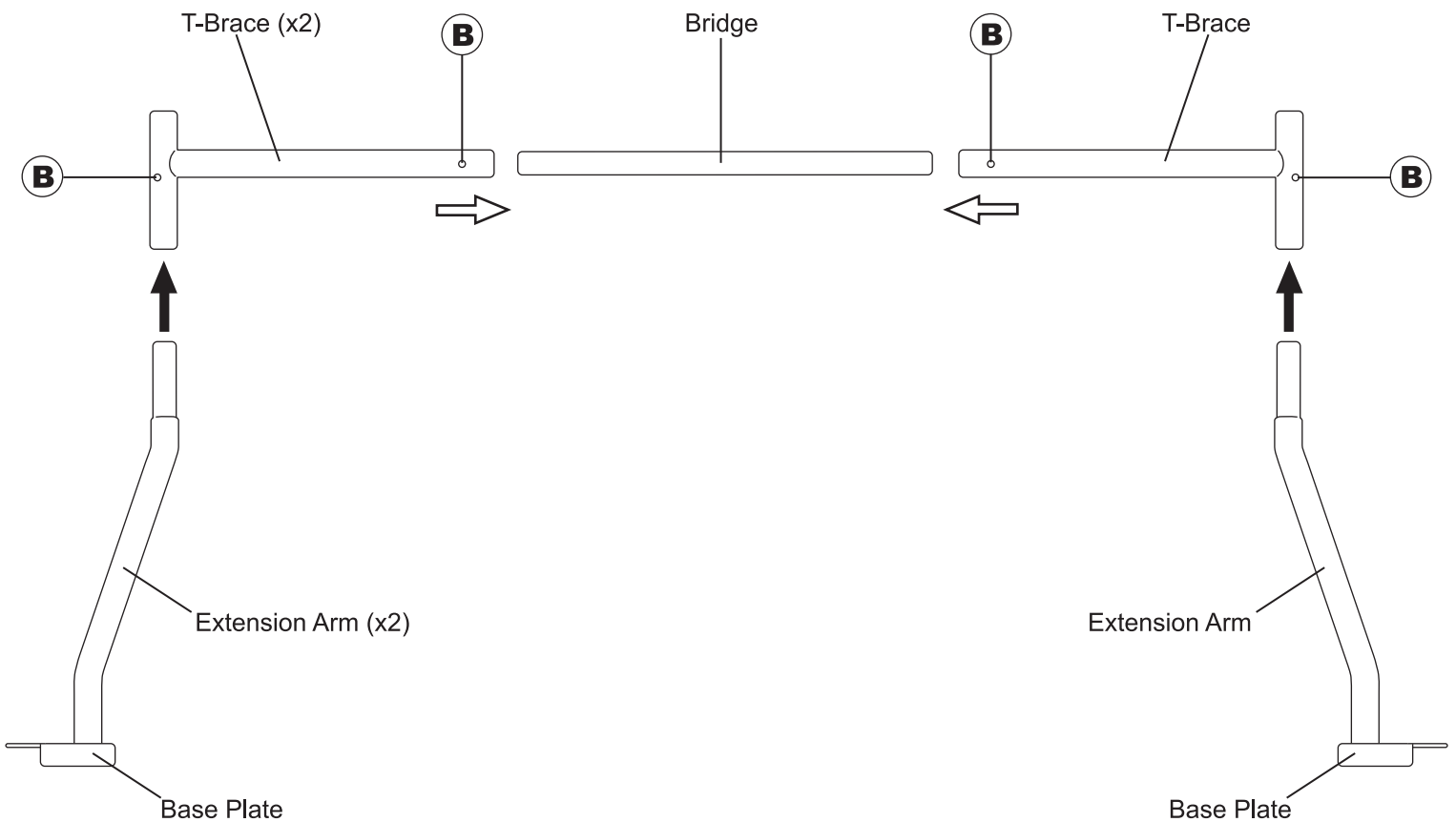


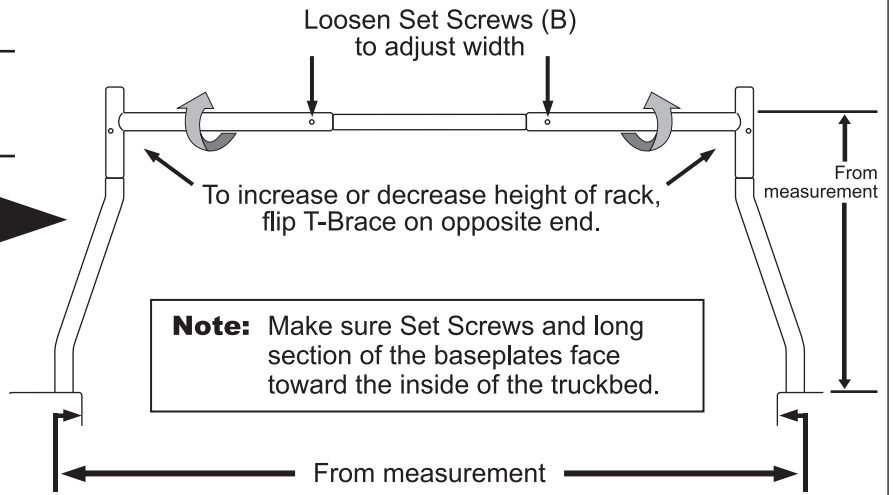
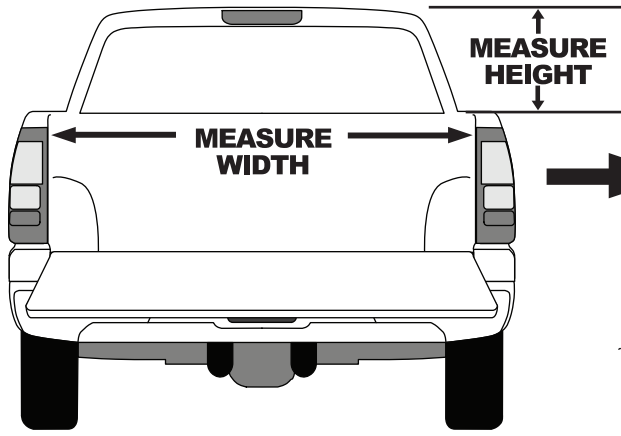
Before installation, review the parts list and assembly images below to verify that all parts are included.
Read instructions carefully and make sure you understand completely before proceeding.

| | | | |
|--|---|---|--|
| <p>Button Head Hex Screw M10 x 45mm</p>  <p>8x A</p> | <p>Allen Head Set Screw M10 x 15mm</p>  <p>8x B</p> | <p>Flat Washer M10</p>  <p>16x C</p> | <p>Lock Nut M10</p>  <p>8x D</p> |
|--|---|---|--|

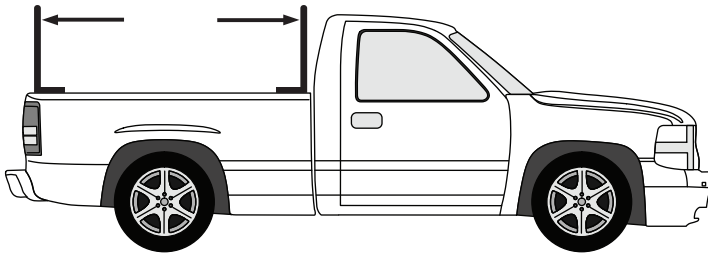
NOTE: Do not tighten Set Screws (B). Leave assembly loose to where assembly will not come apart when lifted off the ground.



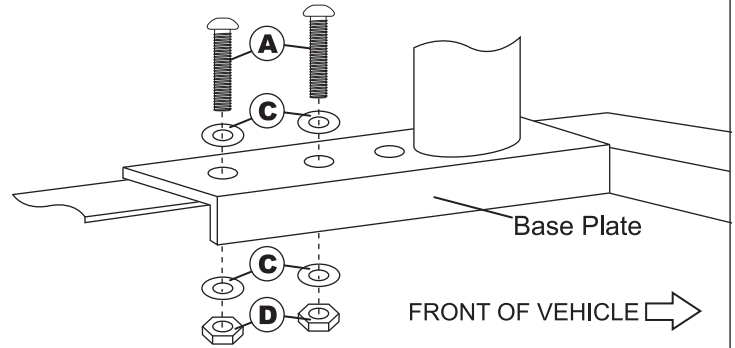
STEP 1:



STEP 2: With tail gate up, place bars as far apart from each other as possible. Make sure tail gate does not make contact with rear rack.



STEP 3: As a guide, use pre-drilled holes on the base plate to drill through the truck bed rail. Before drilling, inspect under truck rail to assure there are no obstructions preventing access to the nut and washer. Make sure holes from baseplate do not rest over stake pocket. Keep drilled holes as far apart as possible.



Note: Do not over tighten.

STEP 4: Once racks have been fastened down to the truck bed rail, tighten the Set Screws (B) but do not over tighten.

STEP 5: Check to make sure racks are secured by forcefully moving them back and forth.



Do Not Exceed 500-lbs **Load Capacity**