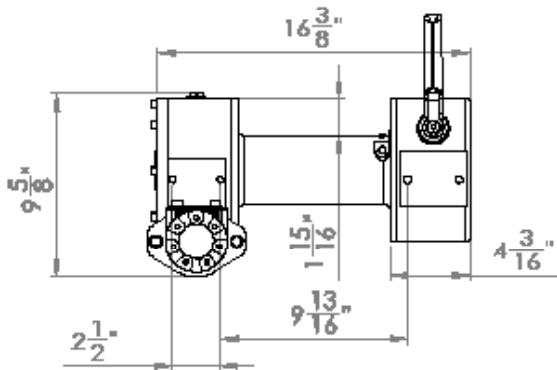
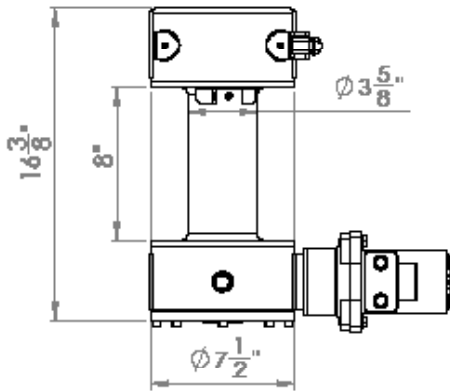
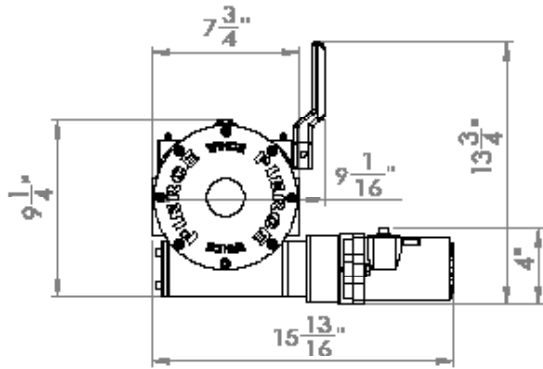


# PSW654-8HK WINCH

# PIERCE

PULLING FOR YOU



**CATEGORY** WINCH

**PART NO.** PSW654-8HK

### PRODUCT DESCRIPTION

9,000 lb Worm Gear Hydraulic Winch / 8" drum

### SPECIFICATIONS

RATED LINE PULL	9,000 lb
LINE SPEED	12.6 fpm
MOTOR	4.8 in <sup>3</sup> in/rev
RATIO	60:1
GPM	15 gpm
PSI	2,000 psi
STARTING INPUT TORQUE FOR RATED PULL	845 in / lb
WINCH CONSTRUCTION	Cast Metal
GEAR TRAIN	Worm Gear
CLUTCH	Dog
BRAKE	Worm Gear
ROTATION OF WINCH	CCW
DRUM SIZE	3.5" x 8"
MAXIMUM LAYERS ON DRUM	5
WIRE ROPE RECOMMENDED	3/8" x 100'
WINCH WEIGHT	70 lb
GROSS WEIGHT	72 lb
WINCH DIMENSIONS (LxWxH)	16.25" x 8" x 13.5"
BOX DIMENSIONS (LxWxH)	14" x 14" x 24"

### LINE SPEEDS

LAYERS OF WIRE ROPE	PULL	DRUM CAPACITY	SPEED (@ 16 GPM)
1	9,000 lb	25 ft	12.6 fpm
2	7,500 lb	50 ft	15.1 fpm
3	6,400 lb	75 ft	17.5 fpm
4	5,600 lb	100 ft	20.0 fpm

Discover other winches on our website.