

PSHV15000 WINCH

PIERCE

PULLING FOR YOU



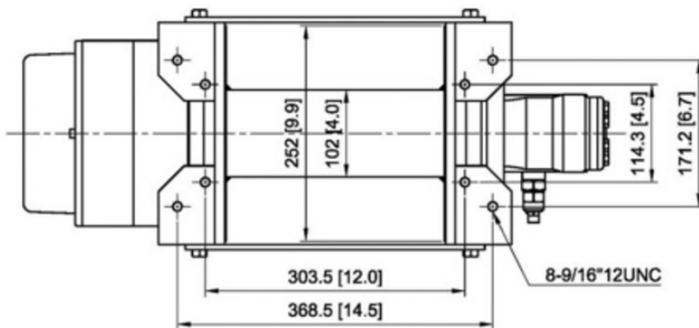
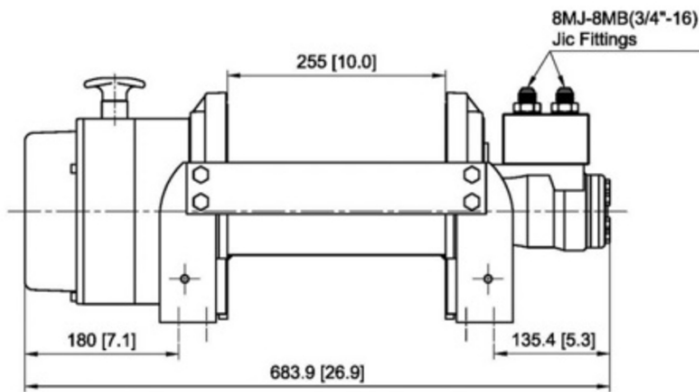
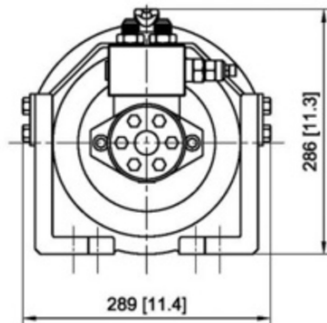
CATEGORY	WINCH
-----------------	-------

PART NO.	PSHV15000
-----------------	-----------

PRODUCT DESCRIPTION	15,000 lb Hydraulic Industrial Winch
----------------------------	--------------------------------------

SPECIFICATIONS

RATED LINE PULL	15,000 lb
LINE SPEED	30 fpm @ 15.9 gpm
OPERATION PRESSURE	2,175 psi
MAX OIL FLOW	15.9 gpm
HYDRAULIC MOTOR	7.6 in ³ / rev
GEAR RATIO	2-stage planetary gear 19.4:1
WINCH CONSTRUCTION	Aluminum die cast housings with steel drum
CLUTCH	Rotating ring gear
BRAKE	Spring applied drag brake together with over-center valve supplied
ROTATION OF WINCH	Underwound
DRUM BARREL DIAMETER	4"
DRUM FLANGE DIAMETER	9.9"
DISTANCE BETWEEN FLANGES	10"
MOUNTING BOLTS PATTERN	12" x 4.5" 14.5" x 6.7"
WIRE ROPE RECOMMENDED	1/2" x 165'
WINCH WEIGHT	158.7 lb
GROSS WEIGHT	194.0 lb
WINCH DIMENSIONS (LxWxH)	26.9" x 11.4" x 11.3"
BOX DIMENSIONS (LxWxH)	28.1" x 16.3" x 12.2"



LINE SPEEDS

LAYERS OF WIRE ROPE	PULL (LB)	WIRE ROPE (FT)	SPEED (@ 15.9 GPM)
1	15,000 lb	23.3 ft	30.0 fpm
2	12,273 lb	51.5 ft	35.8 fpm
3	10,390 lb	85.0 ft	42.0 fpm

Pierce puts everything within reach.

Choose reliable winches offered on our website.