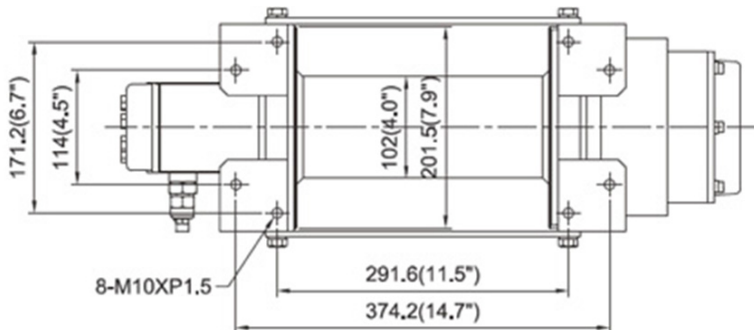
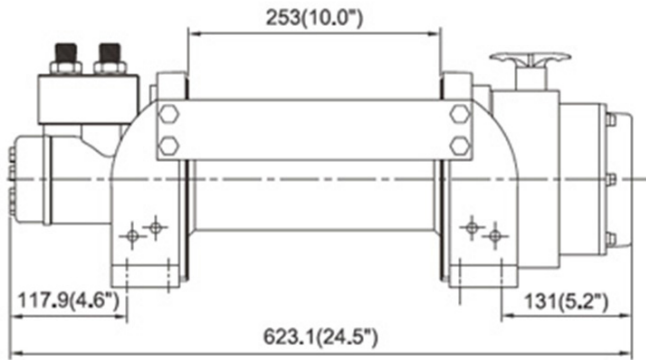
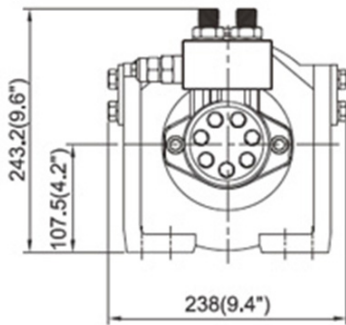


# PSHV10000 WINCH

# PIERCE

PULLING FOR YOU



**CATEGORY** WINCH

**PART NO.** PSHV10000

## PRODUCT DESCRIPTION

10,000 lb Hydraulic Industrial Winch

## SPECIFICATIONS

RATED LINE PULL	10,000 lb
LINE SPEED	46 fpm @ 15.9 gpm
OPERATION PRESSURE	2,175 psi
MAX OIL FLOW	15.9 gpm
HYDRAULIC MOTOR	5.9 in <sup>3</sup> / rev
GEAR RATIO	2-stage planetary gear 16:1
WINCH CONSTRUCTION	Aluminum die cast housings with steel drum
CLUTCH	Rotating ring gear
BRAKE	Spring applied drag brake together with over-center valve supplied
ROTATION OF WINCH	Underwound
DRUM BARREL DIAMETER	4"
DRUM FLANGE DIAMETER	7.9"
DISTANCE BETWEEN FLANGES	10"
MOUNTING BOLTS PATTERN	11.5" x 6.7" 14.7" x 4.5"
WIRE ROPE RECOMMENDED	3/8" x 100' or 7/16" x 90'
WINCH WEIGHT	81.4 lb
GROSS WEIGHT	102.5 lb
WINCH DIMENSIONS (LxWxH)	24.6" x 9.4" x 9.7"
BOX DIMENSIONS (LxWxH)	26.2" x 14.6" x 11.2"

## LINE SPEEDS

LAYERS OF WIRE ROPE	PULL (LB)	WIRE ROPE (FT)	SPEED (@ 15.9 GPM)
1	10,000 lb	26.2 ft	46.0 fpm
2	8,369 lb	57.4 ft	53.5 fpm
3	7,196 lb	89.0 ft	62.3 fpm

Choose reliable winches offered on our website.