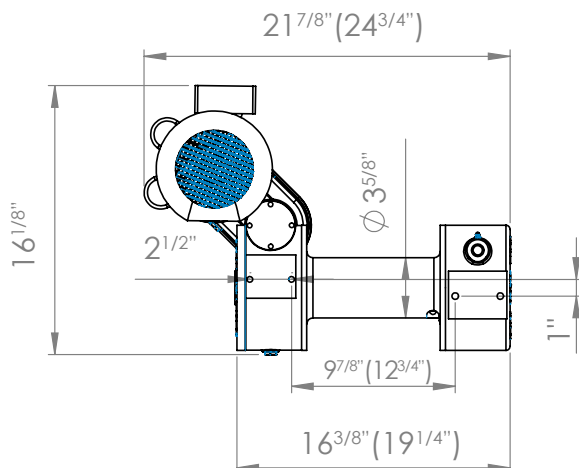
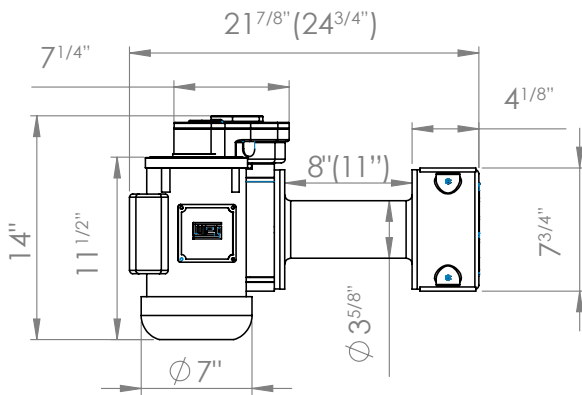
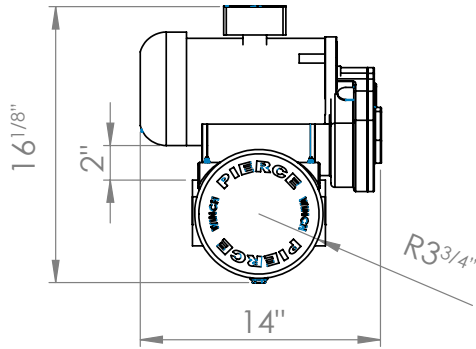


PS654-8EMK & PS654-11EMK WINCH

PIERCE

PULLING FOR YOU



CATEGORY WINCH

PART NO. PS654-8EMK
PS654-11EMK

PRODUCT DESCRIPTION

11,000 lb Worm Gear Electric AC Winch / 8"(11") drum

SPECIFICATIONS

*values in (#) represent the values for the 11EMK

RATED LINE PULL	11,000 lb
LINE SPEED	4 fpm
VOLTAGE	110V / 220V
RATIO	460:1
AMPERE	17.4 amps @ 115V
MINIMUM WIRE GAUGE	16 gauge
MOTOR	1.5 hp
WINCH CONSTRUCTION	Cast Metal
GEAR TRAIN	Worm Gear
CLUTCH	Dog
BRAKE	Worm Gear
ROTATION OF WINCH	CCW
DRUM SIZE	3.5" x 8" (11")
MOUNTING PATTERN	Pre-mounted
WIRE ROPE RECOMMENDED	3/8" x 100' (125')
WINCH WEIGHT	123 lb (125 lb)
GROSS WEIGHT	163 lb (165 lb)
WINCH DIMENSIONS (LxWxH)	26" x 15" x 17.5" (pre-mounted)
BOX DIMENSIONS (LxWxH)	Palletted

Learn more about winches and accessories we have.