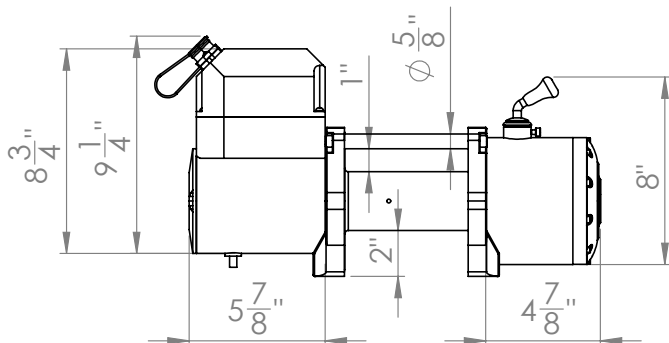
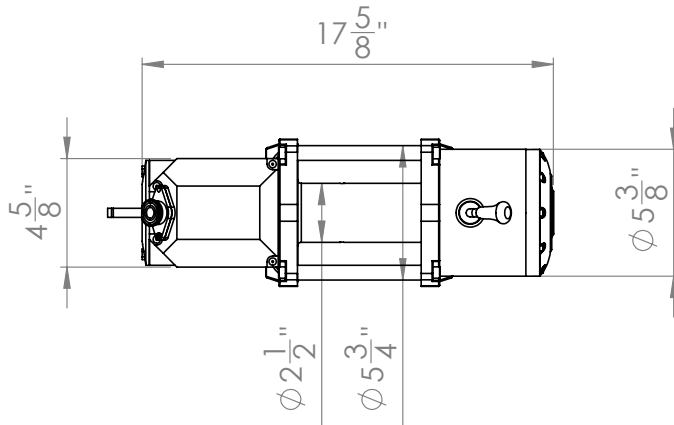
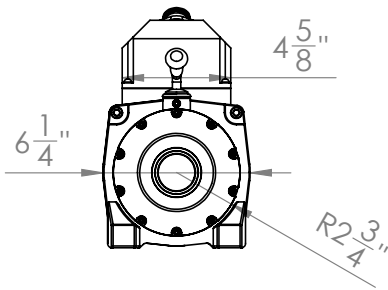


# PS6000 WINCH

*included accessories on reverse*

# PIERCE

PULLING FOR YOU



CATEGORY WINCH

PART NO. PS6000

## PRODUCT DESCRIPTION

6,000 lb Self-Recovery Electric Winch

## SPECIFICATIONS

|                          |                          |
|--------------------------|--------------------------|
| RATED LINE PULL          | 6,000 lb                 |
| LINE SPEED               | 13 fpm                   |
| VOLTAGE                  | 12 V                     |
| CONTROL                  | Remote with 15' lead     |
| RATIO                    | 218:1                    |
| MINIMUM WIRE GAUGE       | 2 gauge                  |
| RECOMMENDED BATTERY      | 650 CCA                  |
| MOTOR                    | 5.5 hp                   |
| WINCH CONSTRUCTION       | Cast metal               |
| GEAR TRAIN               | 3-stage planetary        |
| CLUTCH                   | Sliding ring gear        |
| BRAKE                    | Automatic in the drum    |
| ROTATION OF WINCH        | CCW                      |
| DRUM SIZE                | 2.50" x 5.25"            |
| MOUNTING PATTERN         | 4.5" x 6.625"            |
| WIRE ROPE RECOMMENDED    | 9/32" x 65'              |
| WINCH WEIGHT             | 55 lb                    |
| GROSS WEIGHT             | 77 lb                    |
| WINCH DIMENSIONS (LxWxH) | 17.625" x 5.375" x 8.75" |
| BOX DIMENSIONS (LxWxH)   | 23" x 8.5" x 14"         |

## LINE SPEEDS

| LAYERS OF WIRE ROPE | RATED PULL (LB) | WIRE ROPE (FT) | LINE PULL (LB) | SPEED (FPM) | CURRENT  |
|---------------------|-----------------|----------------|----------------|-------------|----------|
| 1                   | 6,000           | 13             | 0              | 21.3        | 65 amps  |
| 2                   | 4,990           | 29             | 1,000          | 11.5        | 126 amps |
| 3                   | 4,280           | 48             | 2,000          | 9.4         | 175 amps |
| 4                   | 3,780           | 69             | 4,000          | 7.9         | 230 amps |
| 5                   | 3,310           | 79             | 6,000          | 6.5         | 280 amps |

## INCLUDED ACCESSORIES FOR PS6000 WINCH

---

# PIERCE

PULLING FOR YOU



P040N PIERCE WIRED REMOTE CONTROL



SOLENOID ASSEMBLY



HOOK



ROLLER GUIDE



SNATCH BLOCK



CABLE / WIRING

Pierce puts everything within reach.

Choose reliable winches offered on our website.