



Clamp Mount Bars for Raised Side Rails

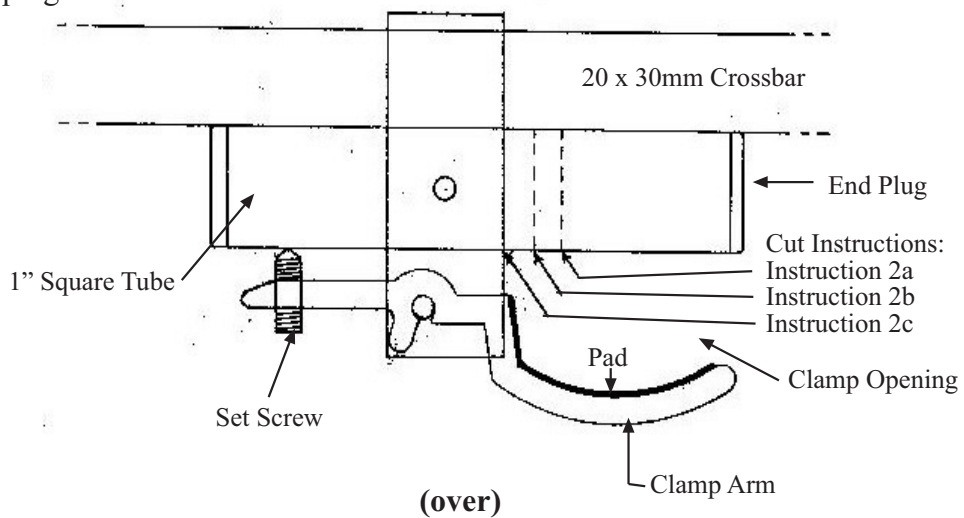
WARNING: External [roof racks](#) do not increase the GVWR of the vehicle. Maximum load for this upgrade system is 180 Lbs. evenly distributed on crossbar assemblies. Roof rack side rails and/or truck bed rails may or may not be designed for load bearing. Check manufacturer information or test rails for load bearing capability prior to installation. Keep in mind that torque applied to any straps, cords, etc. between the load and the vehicle body effectively add "load weight" to crossbars and the roof. Large or flat items such as plywood or watercraft can trap air and create wind lift. Secure the ends of such objects directly to the vehicle bumpers or tie downs. Bulky or tall loads can create tremendous horizontal wind resistance from headwinds and crosswinds. Extreme caution should be used when transporting such loads, taking in consideration road conditions, vehicle speed, crosswinds, and load securing methods, etc. Large bulky, tall or flat objects should be properly secured to both the crossbars and other attachment points on the vehicle body. PERRYCRAFT, Inc. does not assume responsibility for improper rack installation, exceeding rack load limit, load securing methods, vehicle roof strength, wind lift or any other factors beyond its control. All fasteners, clamp assemblies and load securements should be checked frequently and tightened as necessary.

CONTENTS: 2-Crossbars, 4-Crossbar End Caps, 4-Clamp Assemblies, 4-1/4"-20x3/4 Set Screws, 8-Clamp Pads, 1-Allen Wrench, Instruction sheet.

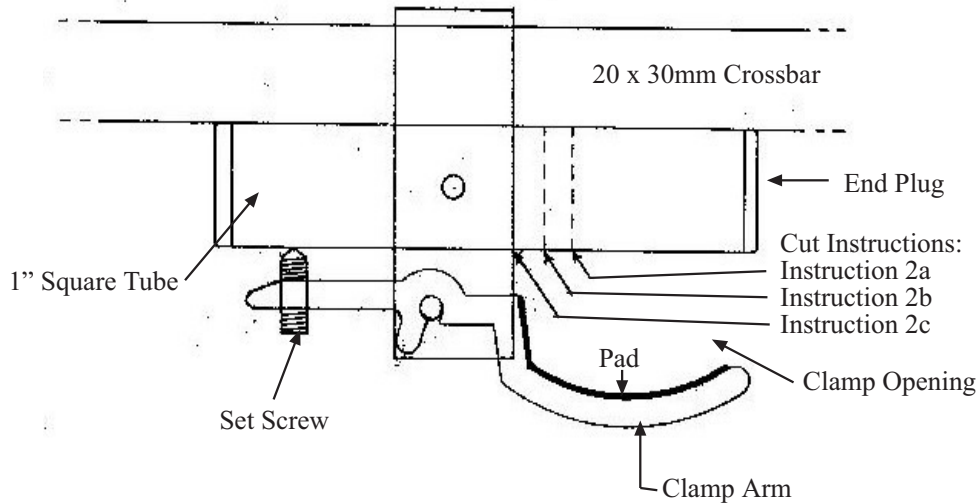
NOTE: The clamps in this kit are designed to fit factory or aftermarket roof racks with raised side rails whose vertical thickness is 3/4 to 2 3/8 inches and to truck side rails or truck bed flanges having the same dimensions. Review these instructions in their entirety before proceeding with installation!

Although either method may be used, under normal circumstances the clamp openings face inward on roof racks, and outward on truck bed rails (see illustration on reverse).

1. Measure vertical thickness of the roof rack side rails, truck bed rails, or truck bed flange where clamps are to be attached, preferably not in "curved" area of rail.
2. If the measurement is 1 1/2" or less, clamps are to be used in their original configuration. If over 1 1/2", remove the plug from the 1" square tube (at open end of clamp assembly) and modify tube as follows:
 - a. If the measurement is over 1 1/2" but less than 1 5/8", square-cut tube 1/2" from front edge of clamp bracket (see illustration).
 - b. If the measurement is over 1 5/8" but less than 1 3/4", square-cut tube 1/4" from front edge of clamp bracket (see illustration).
 - c. If the measurement is over 1 3/4", square-cut tube flush with front edge of clamp bracket (see illustration).
 - d. After all four clamp-bracket tubes have been cut to above specifications, file cut edges of tube and re-insert end plugs.



3. The 20x30mm crossbars can be used at the provided length in this kit, or can be cut to desired length.
IMPORTANT NOTE: For installation with open end of clamp facing inward, crossbar length must be minimum of 5" longer than the overall outside-to-outside measurement of the two side rails. For installation with open end of clamp facing outward, crossbar length must be equal to or longer than overall outside-to-outside measurement of side rails.
4. Install 1/4"-20x3/4" set screws into clamp arms.
5. Install self-adhesive neoprene pad on surface area of each clamp arm, 1" square tube, or crossbar as necessary where clamp/bar assemblies contact surface of side rails at attachment points (see illustration). Clean surfaces with alcohol or adhesive prep solution prior to installing pads.



7. Slide clamp brackets onto crossbars with open ends inward or outward, depending on your choice of clamp-to-rail installation options indicated above.
8. Install crossbar end caps.
9. Position crossbars at desired location on rails. Center crossbars on rails and adjust clamps into appropriate clamping position on rails.
10. Using allen wrench provided, tighten set screws on clamp arm until secured to rails.
11. Store allen wrench in secure location. **Check clamps frequently for proper tightness, as normal vehicle or load vibration may cause clamps to loosen and/or shift positions.**