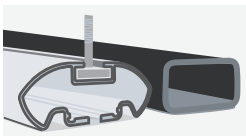




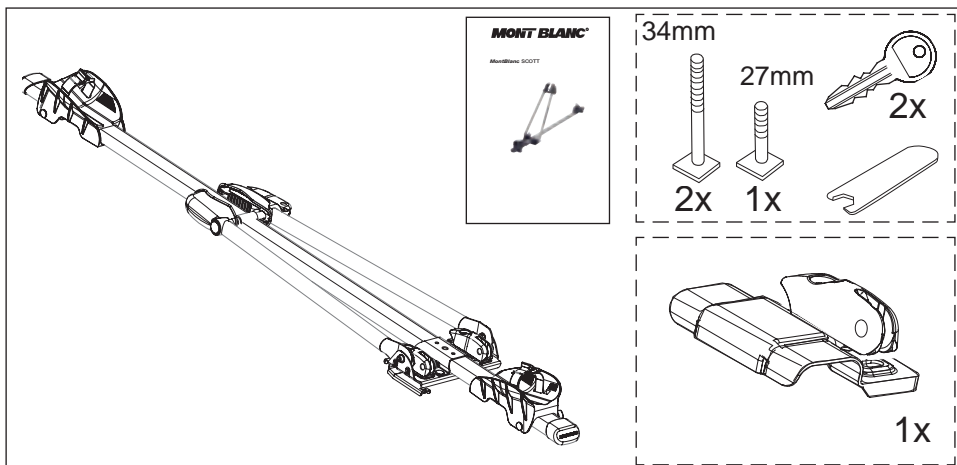
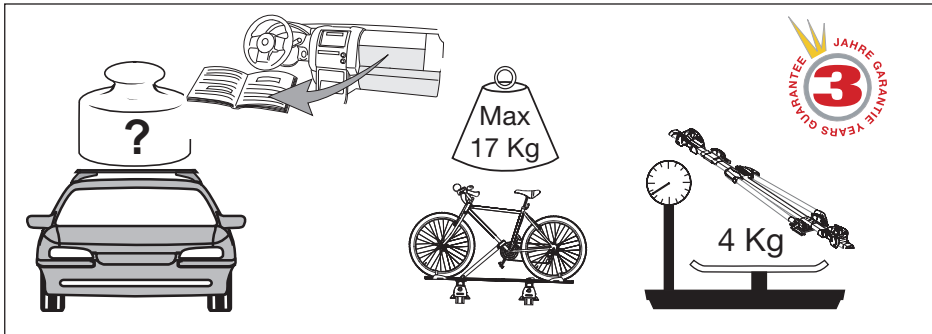
**MontBlanc SCOTT**



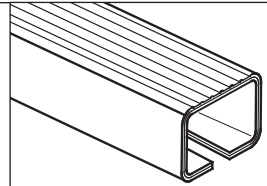
Fitting instructions

**WARNING !**

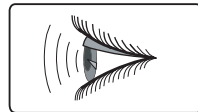
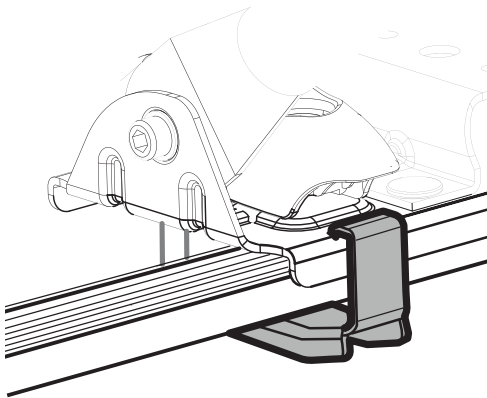
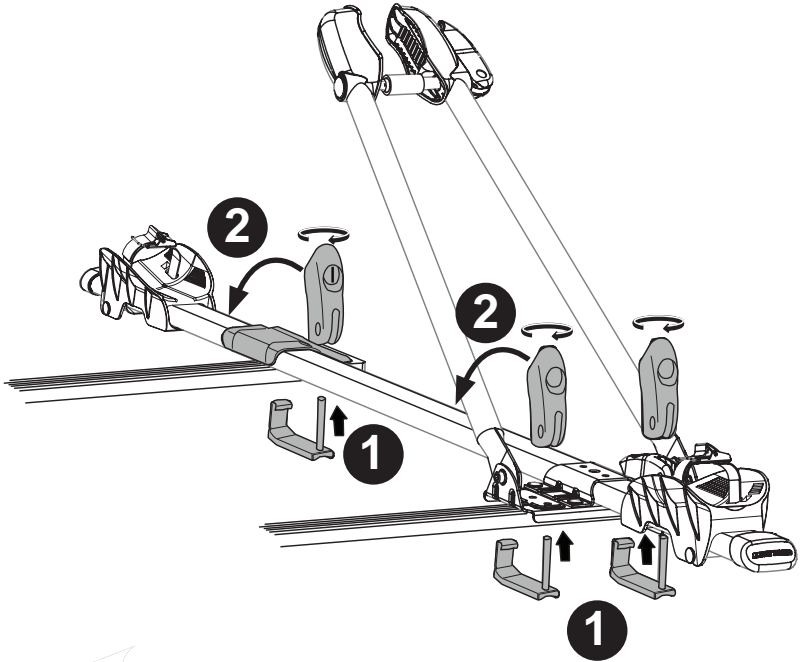
- Read these instructions carefully before using the product for the first time.
- Assemble and fit the product using these instructions only.
- Keep instructions in car.
- Be sure to follow the national rules and legislations in force regarding method of application of load carrier and accessories.



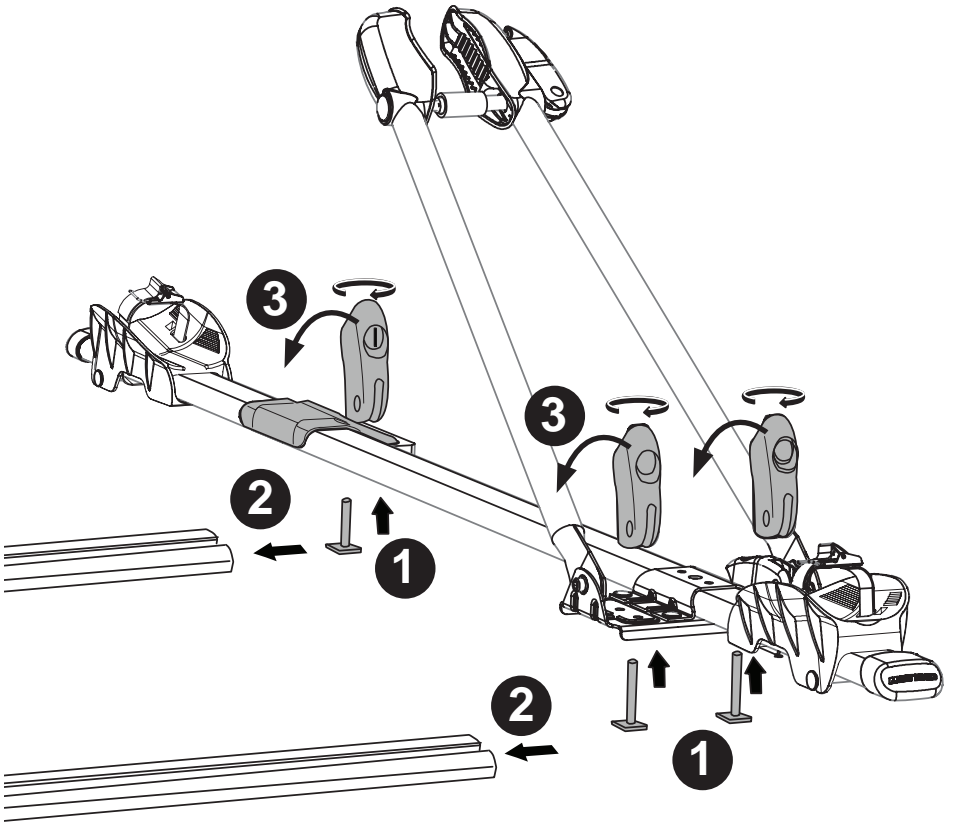
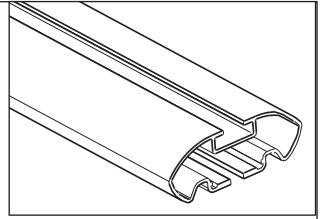
# A1



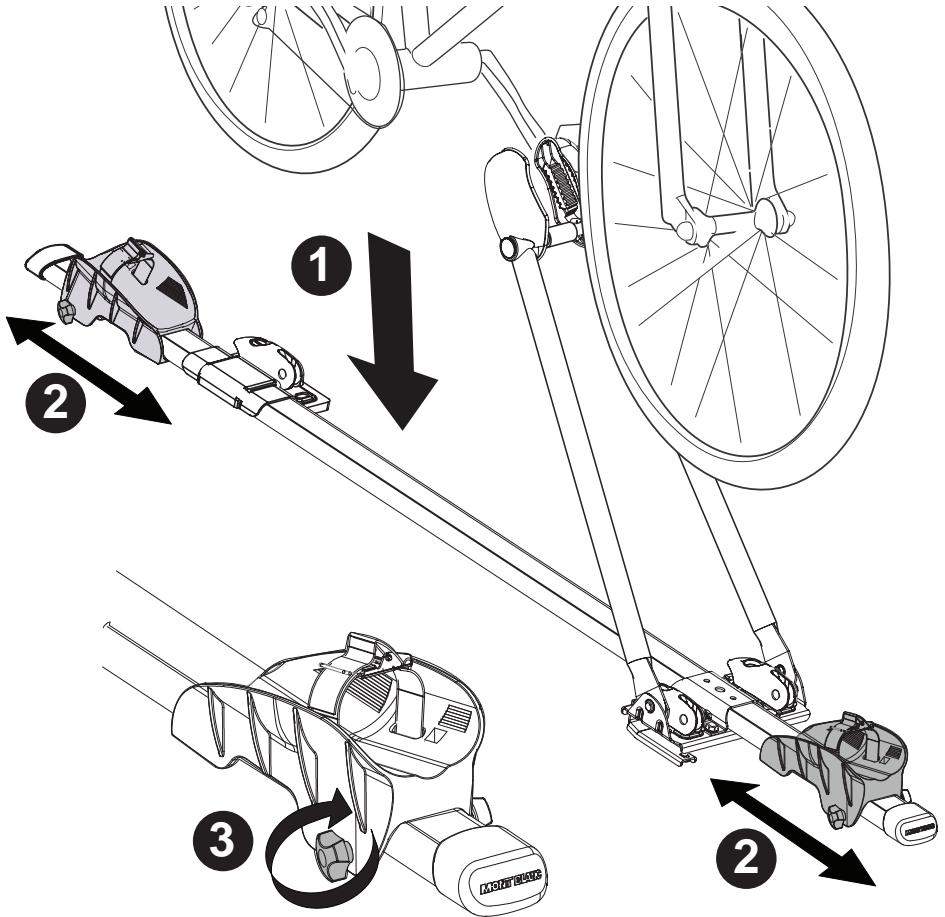
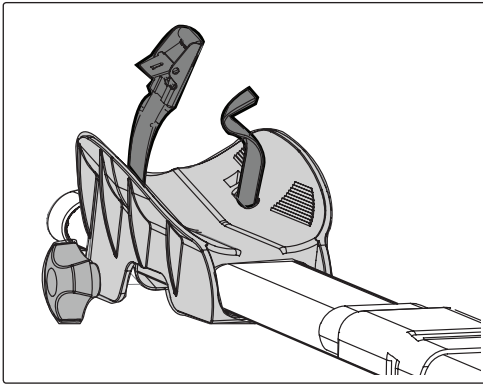
20 x 30 mm



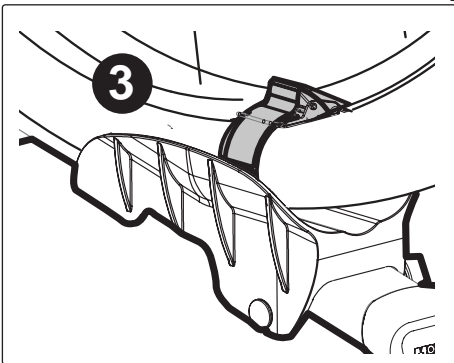
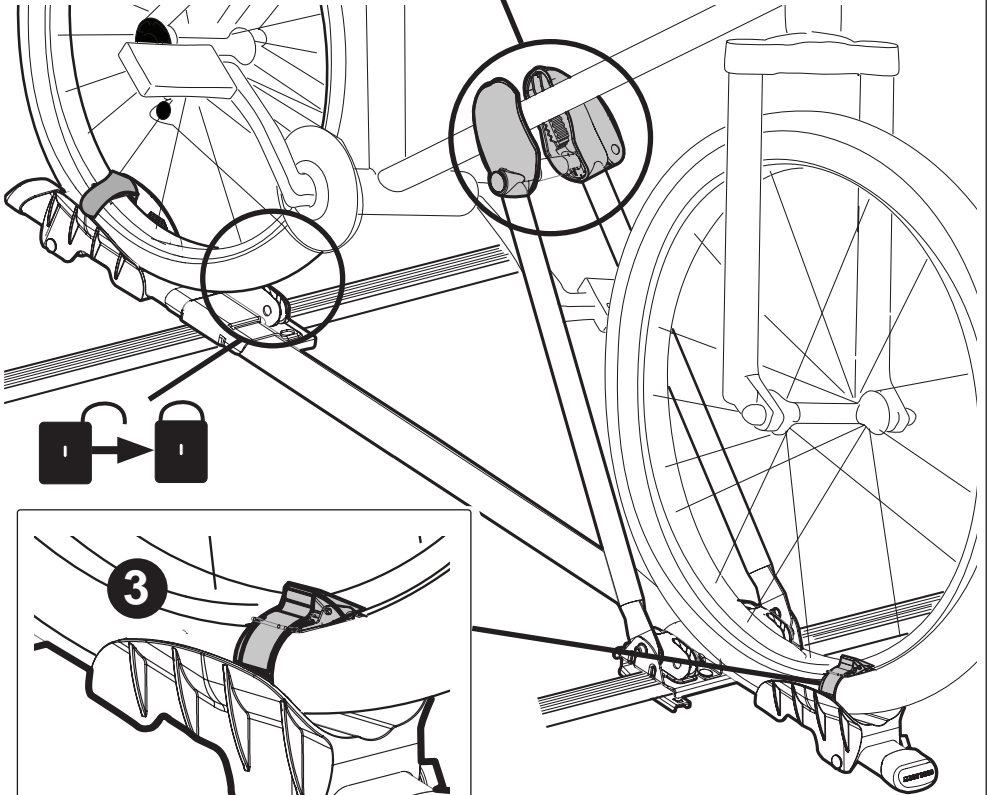
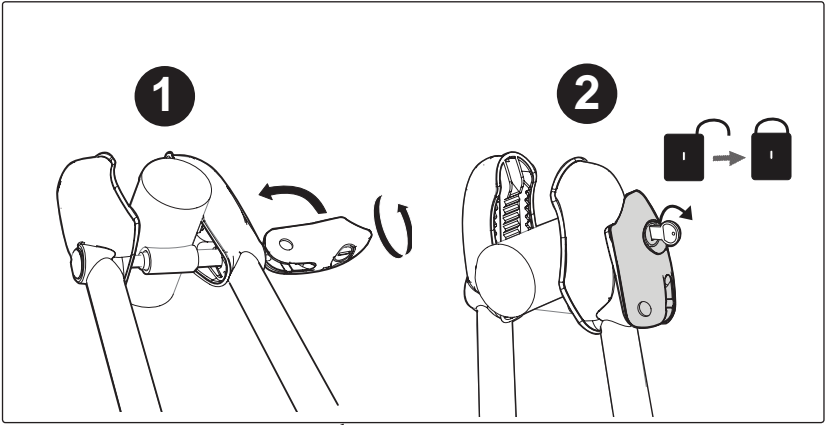
# B1



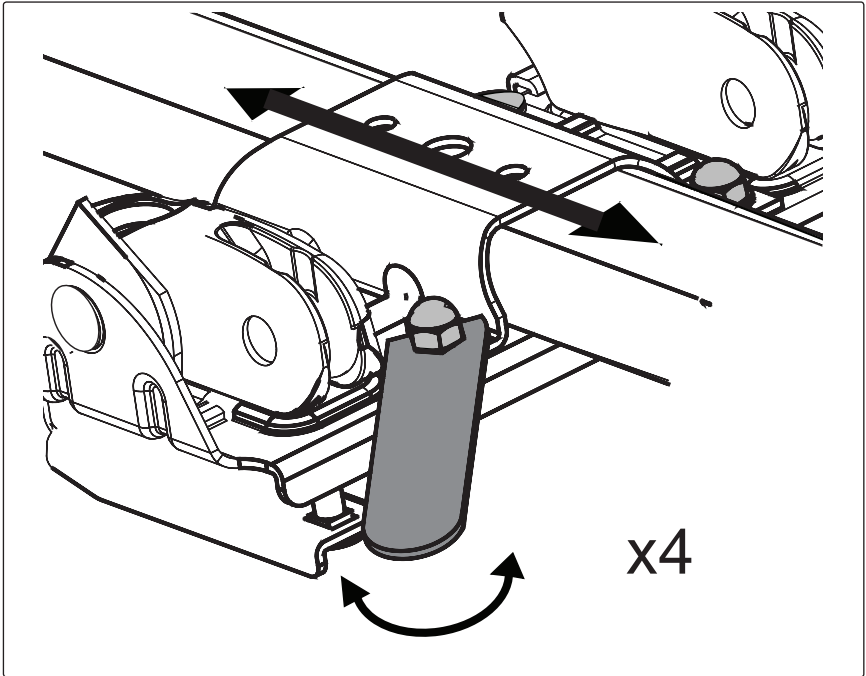
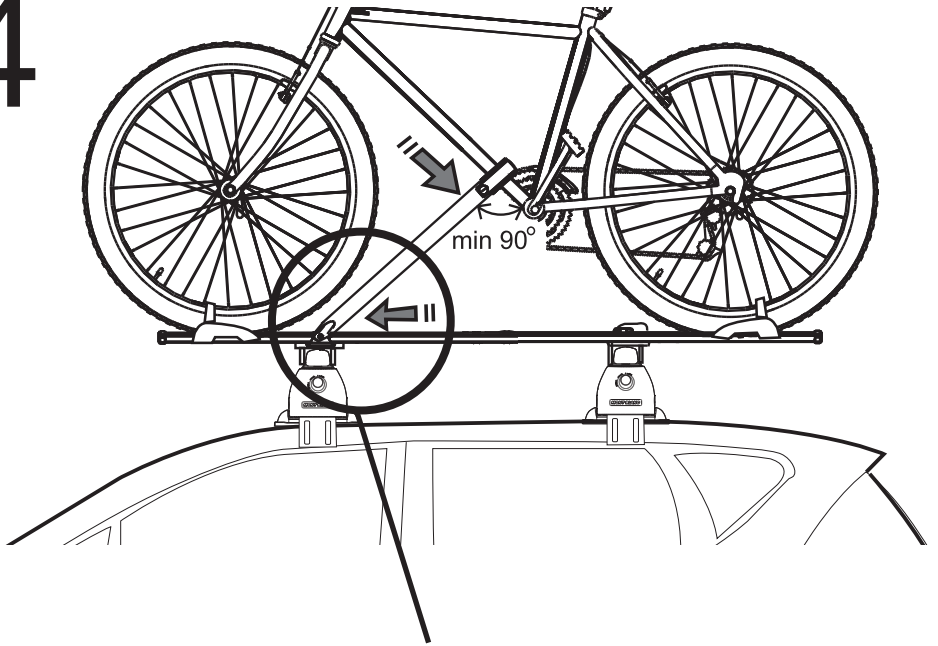
# 2



# 3

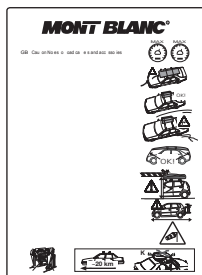
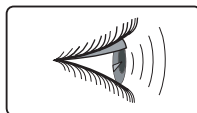
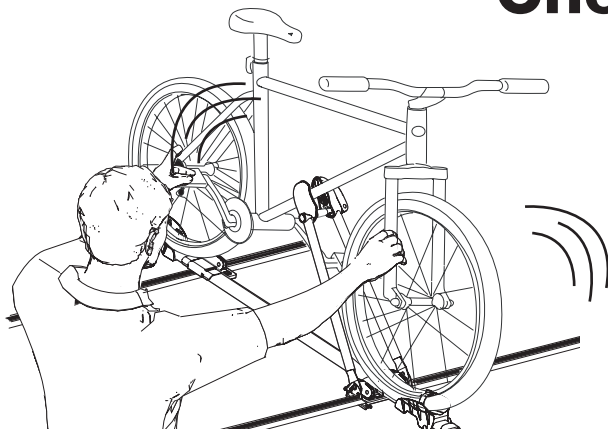


4



# 5

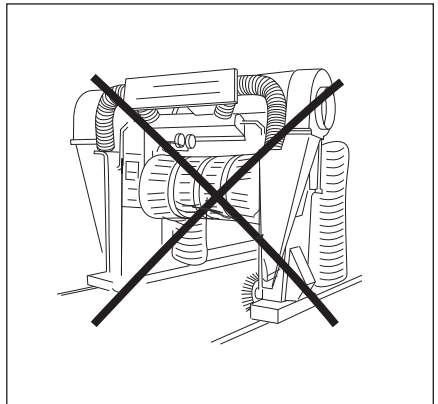
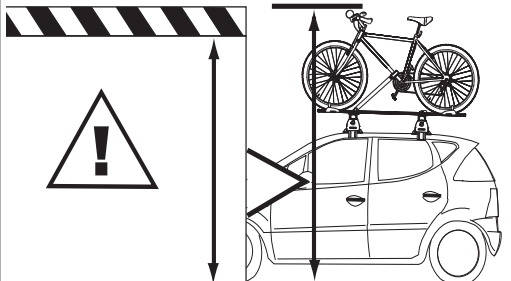
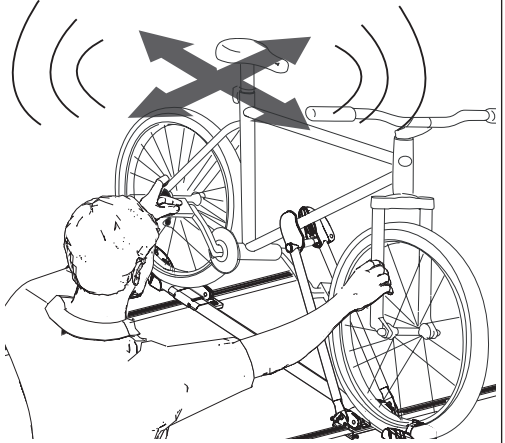
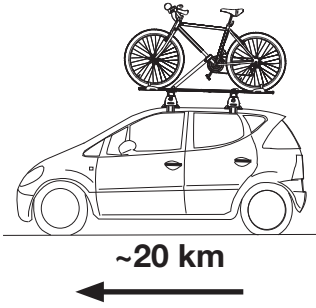
## Check !



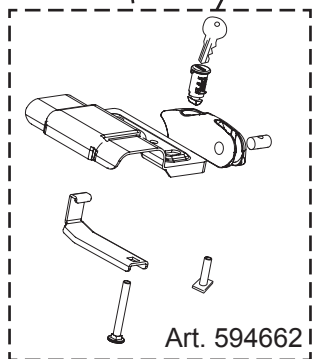
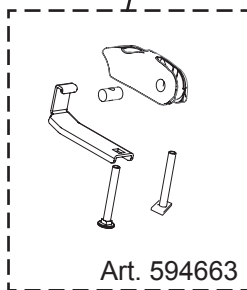
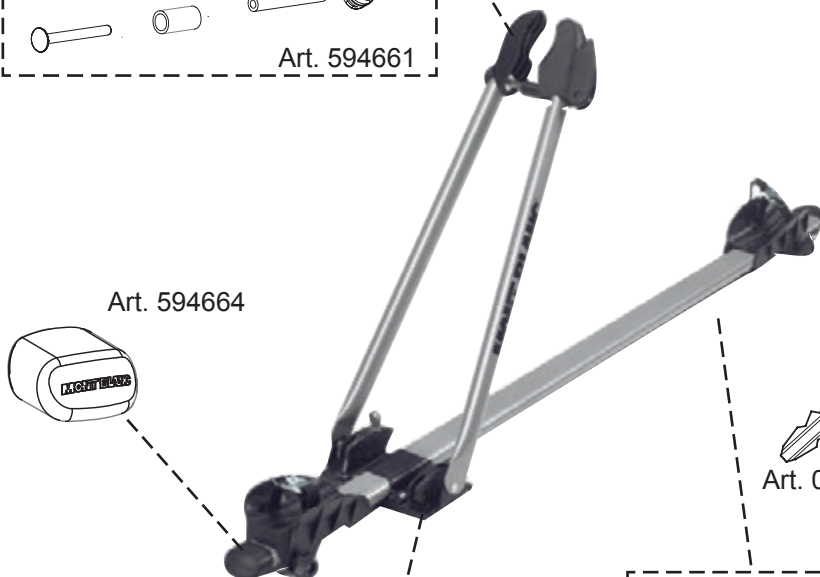
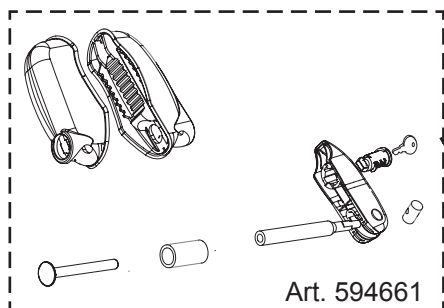
A diagram showing a key with the number "123" on its head. A curved arrow points from the key to a rounded rectangular box containing the text "No: \_\_\_\_\_". A pencil is shown pointing to the end of the dashed line in the box. To the left of the key is a small icon of an eye, identical to the one in the previous block.



**CHECK !**



# Spare parts



Accessoires



Barracuda



Explorer



Discovery



Triton 650



Galactica



McKinley & Everest



Excursion / Safari



Sirius

Odin