

PERRIN

Hella Horn Mount for 02-07 WRX/STI

Thank you for purchasing this PERRIN product for your car! Installation of this product should only be performed by persons experienced with installation of aftermarket performance parts and proper operation of high performance vehicles. If vehicle needs to be raised off the ground for installation, the installer must use proper jacks, jack-stands and/or a professional vehicle hoist for safety of the installer and to protect property. If the vehicle is lifted improperly, serious injury or death may occur! Please read through all instructions before performing any portion of installation. If you have any questions, please contact our tech department prior to starting installation.

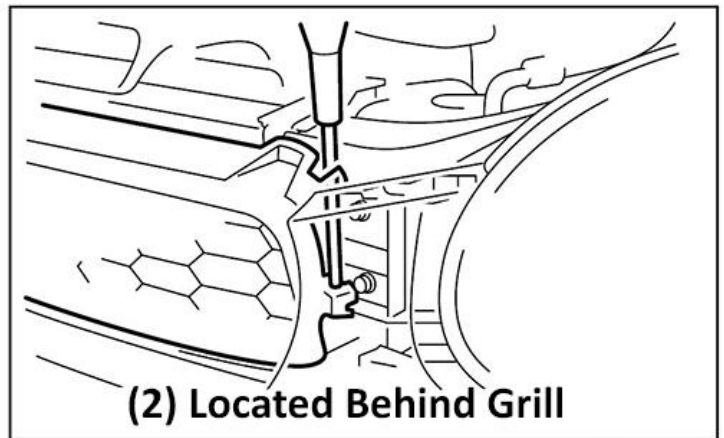
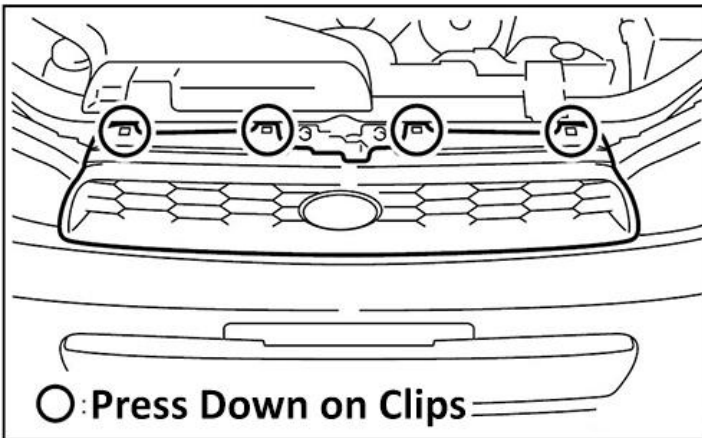
Parts Included with the PERRIN Hella Horn Mount:

- (1) PERRIN Horn Bracket
- (2) M8 SS Washers
- (1) M6 Button Head Bolt
- (1) M6 Fender Washer
- (1) M5 Hex Wrench

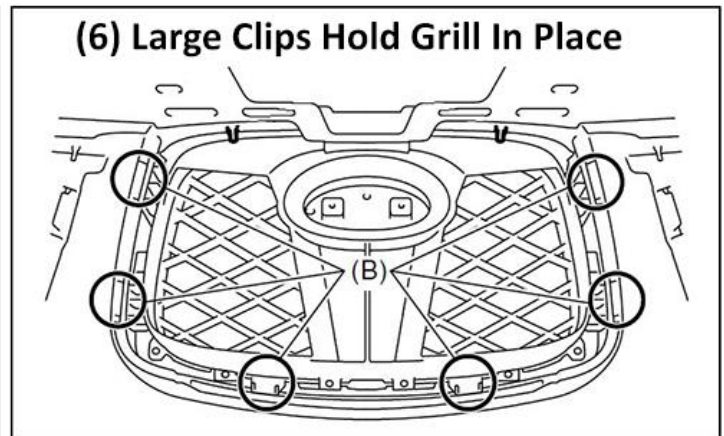
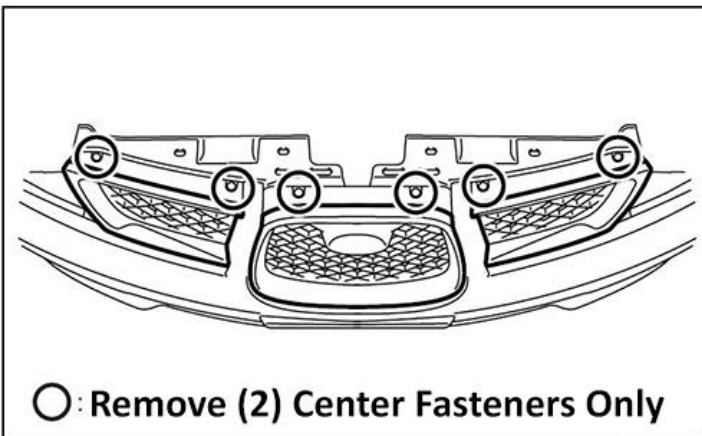
Installation of PERRIN Hella Horn Mount:

1) Remove upper grill from car:

- a. For 02-05 cars, while lightly pulling grill away from car, push down (4) small plastic tabs on top of grill to release. Using long screwdriver, depress (2) tabs behind on lower section of grill (there are slots in the top on the sides to access these). Slide grill away from car to expose mounting location for PERRIN Hella Horn mount.

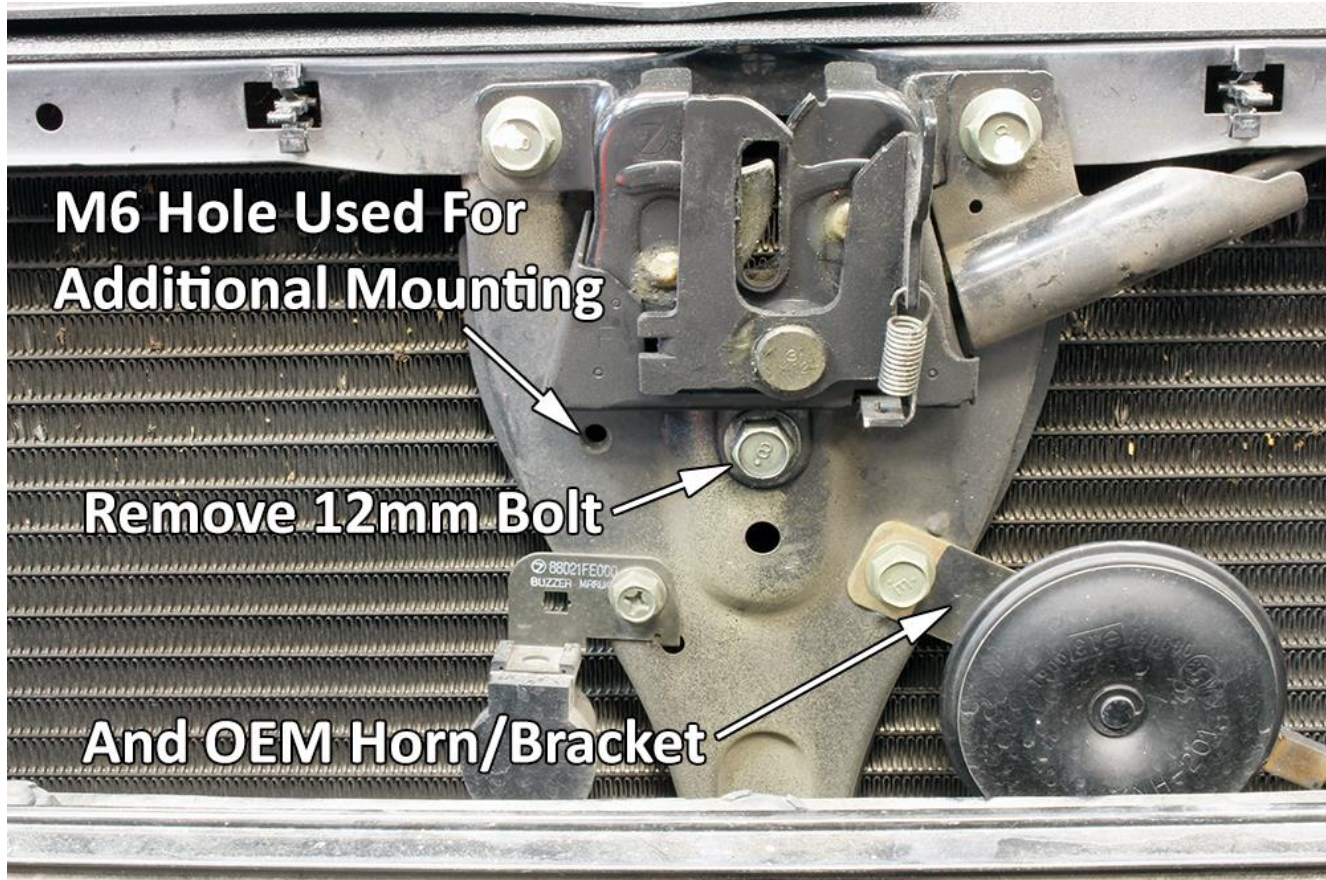


- b. For 06-07 cars, on center grill, remove (2) small plastic fasteners from top section. Carefully pull grill straight out from bumper to expose mounting location. There are 4 large clips holding this in place and they can be kind of tight while removing.



2) Consult Hella Horn instructions to determine how they need to be electrically installed. **Note: Do this step before mounting bracket to car as this will allow for easier way to connect both horns electrically.** OEM horn wires can be used to trigger aftermarket horn relay but can't be used to drive horns directly.

- 3) Remove flat brackets from Horns if they are already installed. The nuts on these are very tight and may require a vice to hold bracket while loosening.
- 4) Install horns to PERRIN Mount using supplied M8 washers behind nuts.
- 5) Using picture below for reference, remove 12mm bolt and OEM horn/bracket.



- 6) Install PERRIN Horn bracket and secure to car using 12mm bolt removed earlier, and supplied M6 bolt and washer.
- 7) Make any final adjustments to horn location and tighten 13mm nuts securing horns to bracket.
- 8) Connect horns electrically following diagrams supplied with horns.
- 9) Test to ensure horns function as desired.
- 10) Reinstall grill back to car.

