

# FAN CLUTCH WRENCH MASTER SET

This versatile set allows for easy removal of fan clutches when repairing or replacing water pumps, timing chains or the fan clutch

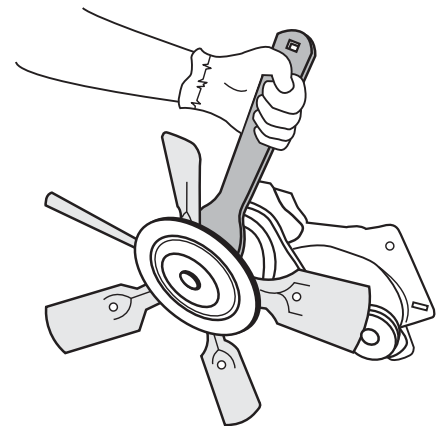
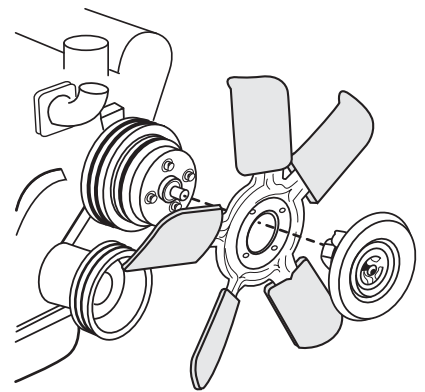
- Also useful when installing or removing engines, and for a variety of other engine service projects
- Hold the fan clutch with the clutch holding tool while using the appropriate wrench to turn the fan clutch nut  
(Please note: Be sure to check your automobiles owner's manual for right or left-hand thread)
- Square drives designed for use with a breaker bar for additional torque
- For use on your Ford, GM or Chrysler (See "Applications" below)

• Set Contains:

- 2 1/4" and 3 1/4" Fan Pulley holding tools
- 2 3/8" Fan Clutch bolt holding tool
- 2 1/8" and 3" Fan Clutch Pulley holding tools
- 2 13/16" Fan Hub wrench
- 1 7/16" Fan Clutch nut wrench
- 1 7/16" and 1-9/16" Fan Clutch wrench
- 1 7/8" Left hand Clutch nut wrench

**Replacement Parts:**

W89400-1	2-3/8 in.	(60 mm)
W89400-2	2-1/4 in.	(57 mm)
W89400-3	2-1/8 in.	(54 mm)
W89400-4	3 in.	(76 mm)
W89400-5	3-1/4 in.	(82 mm)
W89400-6	1-7/8 in.	(47 mm)
W89400-7	1-7/16 in.	(36 mm)
W89400-8	1-7/16 in.	(36 mm)
W89400-9	1-9/16 in.	(39 mm)
W89400-10	2-13/16 in.	(72 mm)



	YEAR	MAKE/MODEL	ENGINE	WRENCH SIZE
<b>FORD</b>	1983-93	F-Series Truck, E-Series Van	6.9L, 7.3L Diesel	1 7/8" & 3 1/4" (47 / 82mm)
	1984-91	F-Series Truck, E-Series Van	4.9L, Inline 6	1 7/16" & 2 1/4" (36 / 57mm)
	1987-97	F-Series Truck, E-Series Van	5.0L, 5.8L, 7.5L V8	1 7/16" & 2 1/4" (36 / 57mm)
	1992-96	F-Series Truck, E-Series Van	4.9L, Inline 6	1 9/16" & 2 1/4" (39 / 57mm)
	1994-97	F-Series Truck, E-Series Van	7.3 D.I. Diesel	1 7/8" & 2 1/8" (47 / 54mm)
	1983-89	Ranger & Bronco II	2.8L, 2.9L V6	1 7/16" & 2 1/4" (36 / 57mm)
	1990-2002	Ranger, Explorer & Bronco II	4.0L V6	1 7/16" & 2 1/4" (36 / 57mm)
	1996-2001	Explorer	5.0L V8	1 7/16" & 2 13/16" (36 / 72mm)
	1998-2002	F-Series Truck, E-Series Van	7.3L DIT Diesel	1 7/8" & 3 1/4" (47 / 82mm)
<b>DODGE</b>	1988-2002	Full Size Pickup Truck, Full Size Van	5.9L Diesel	1 7/16" & 3" (36 / 76mm)
	1992-2002	Dakota, Ram Pickup, Ram Van	3.9L V6, 5.2L, 5.9L V8 8.0L V10	1 7/16" & 3" (36 / 76mm)
<b>JEEP</b>	1993-98	Grand Cherokee	5.2L V8	1 7/16" & 3" (36 / 76mm)
<b>GM</b>	1996-99	Full Size Pickup Truck, Full Size Van, Astro / Safari Vans, S-Truck, Blazer / Jimmy, Yukon / Tahoe	4.3L V6, 5.0L 5.7L V8	1 7/16" & 2 3/8" (36 / 60mm)