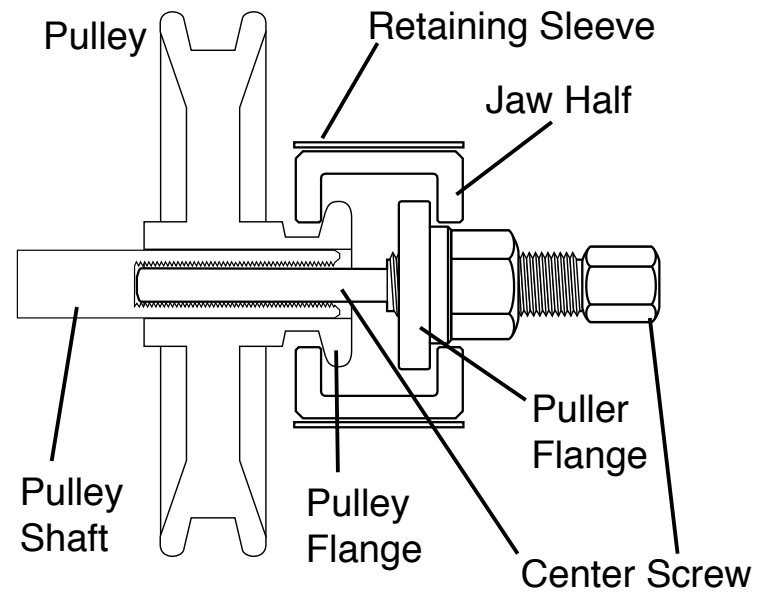


GM POWER STEERING PUMP PULLEY

REMOVER / INSTALLER

To remove pulley:

1. Run Puller Flange down to end of center screw
2. Insert tip of Center Screw into pulley shaft
3. Put best fitting side of Jaw Halves over Pulley Flange and Puller Flange
4. Place Retaining Sleeve over Jaw Halves
5. Turn Center Screw to remove pulley



To install pulley:

1. Place Pulley over Center Screw
2. Turn Center Screw into threads in Pulley Shaft
3. Turn Drive Nut to press Pulley onto Shaft

Removes pulleys on the following:

1988 – 89 Quad 4 Engines

Installs pulleys on the following:

1988 – Current Quad 4 Engines

Removes and installs pulleys on the following:

- 1990 – Current Chevy Lumina APV
- 1990 – Current Oldsmobile Silhouette
- 1990 – Current Pontiac Trans Sport
- 1991 – Current Buick Regal with 3.1L V-6
- 1991 – Current Chevy Lumina with 3.1L V-6
- 1991 – Current Pontiac Grand Prix with 3.1L V-6

