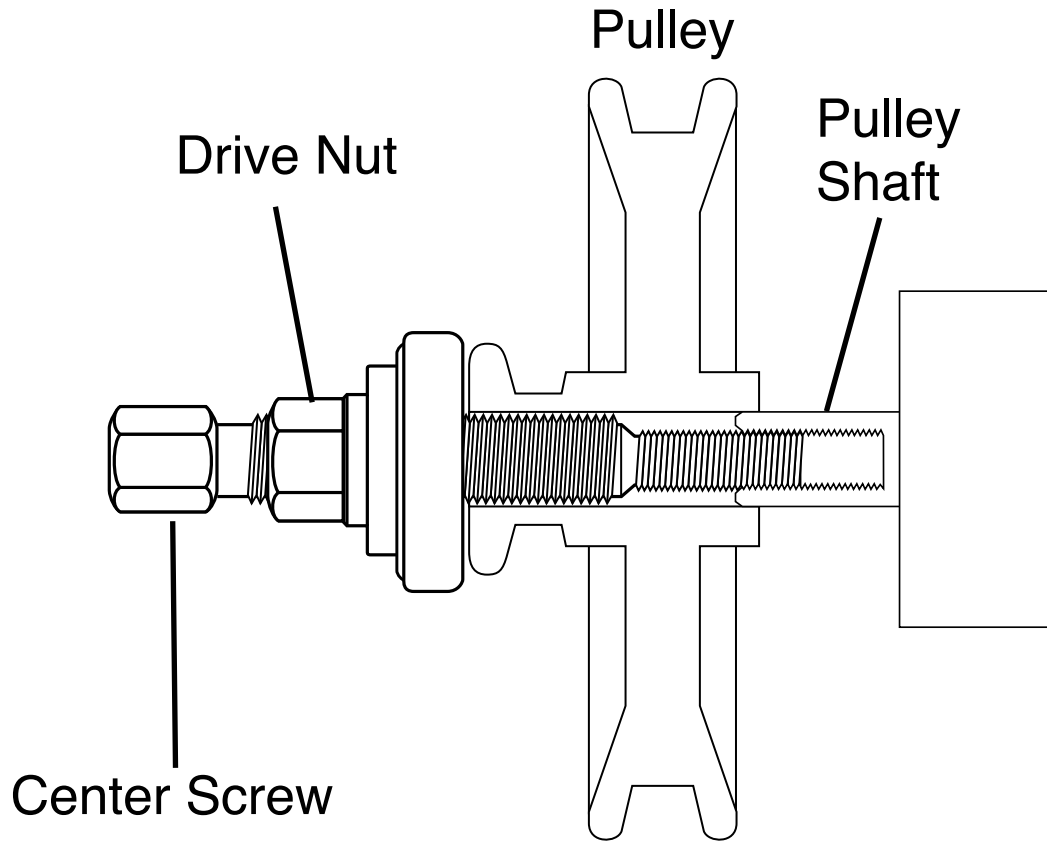


# FORD POWER STEERING PUMP PULLEY INSTALLER

W87021

- 1. Place pulley over center screw
- 2. Turn center screw into threads in pulley shaft
- 3. Turn drive nut to press pulley onto shaft
- 4. Remove center screw from pulley shaft



Check out the collection of automotive tools we offer.