

ROLLING SEAT TOOL CHEST

Item Number W85024

OWNER'S MANUAL



Performance Tool®

▲ WARNING!

It is the owner and/or operators' responsibility to study all WARNINGS, operating, and maintenance instructions contained on the product label and instruction manual prior to operation of this creeper seat tool box. The owner operator shall retain product instructions for future reference.

The owner and/or operator are responsible for maintenance, maintaining all decals or warning labels and while in use, maintaining the unit in good working order. If the owner and/or operator are not fluent in English, the product warnings and instructions shall be read and discussed with the operators' native language by the purchaser/owner or his designee. Make sure that the operator comprehends its contents. Safety information shall be emphasized and understood prior to usage. The tool shall be inspected per the operating instructions.

Protect yourself and others by observing all safety information.

Failure to comply with instructions could result in personal injury and/or property damage!

PT

Performance Tool

Please read these instructions carefully and retain them for future use.

On occasion, after printing of our literature is completed, our manufacturers may make changes and/or modifications to merchandise which will not be reflected in this manual. Although we strive to maintain complete and accurate information, it is possible in some instances, that the product may differ slightly from printed specifications. Illustrations are intended for reference only. Actual merchandise may vary. Wilmar is not responsible for typographical errors.

SPECIFICATIONS

Capacity:.....350 Lbs.
Overall Dimensions:.....20-7/8 x 14-1/4 x 16 in.
Seat Dimensions:..... 16 x 9 in.

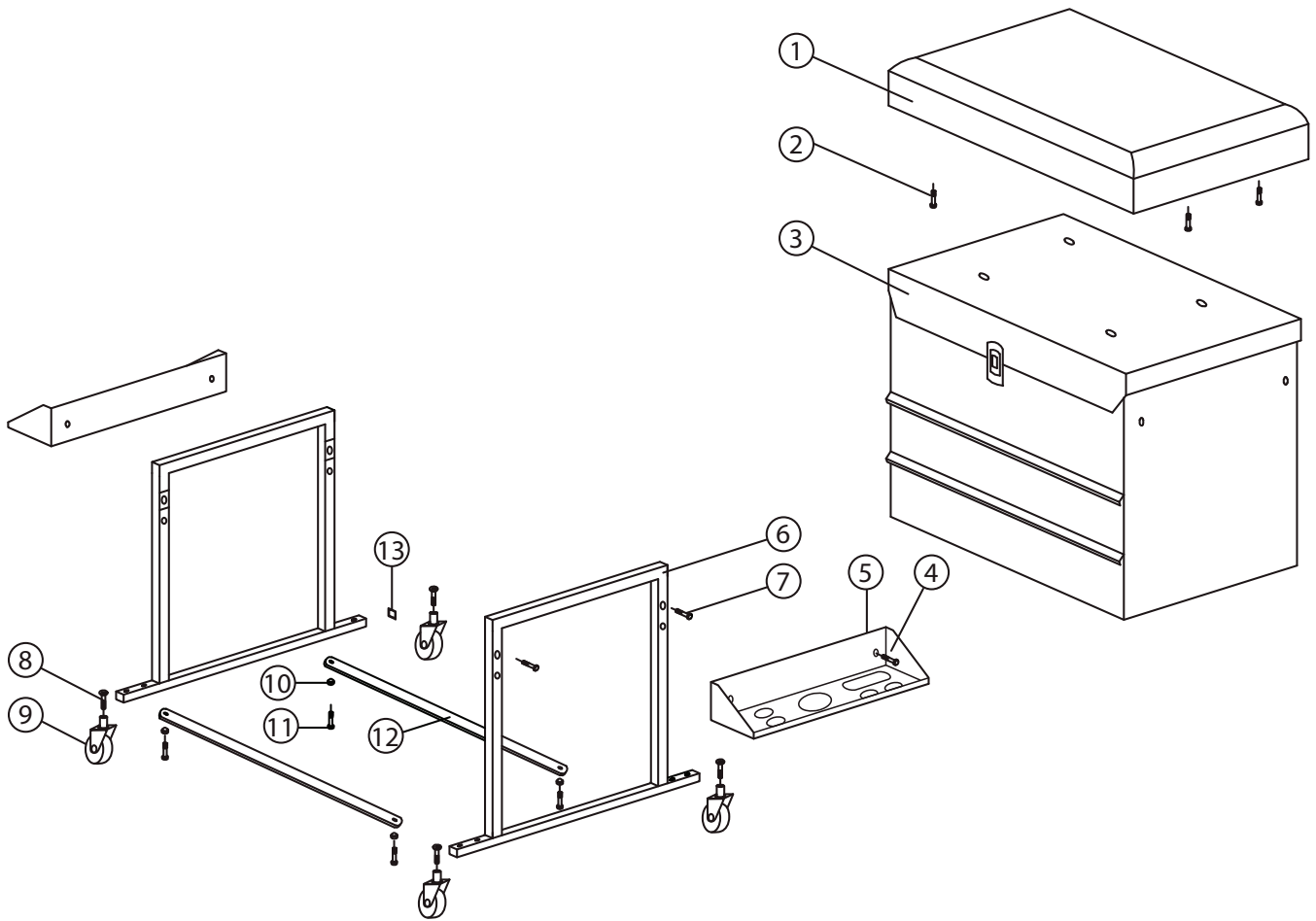
Chest Storage Dimensions: 13-1/2 x 8-3/4 x 3 in.
Drawer Dimensions: 12-1/2 x 7-3/4 x 2-1/4 in.
Maximum Drawer Capacity:.....20 Lbs.

This product is designed to support a maximum capacity of 350 lbs. (159 kg), including all tools and equipment. It is intended to be used to support and transport, along a smooth and level surface. This product is not intended, designed or engineered to be used for any other purpose.

SPECIFICATIONS ARE SUBJECT TO CHANGE WITHOUT NOTICE

▲ WARNING! READ, UNDERSTAND AND FOLLOW ALL INSTRUCTIONS, AND WARNINGS BEFORE OPERATING THIS TOOL. FAILURE TO DO SO MAY RESULT IN PERSONAL INJURY AND/OR PROPERTY DAMAGE AND WILL VOID WARRANTY.

PARTS DIAGRAM



PARTS LIST

No.	Description	Qty.	No.	Description	Qty.
1	Stool Pad.....	1	8	Caster Nut M8	4
2	Bolt M6 x 12	4	9	2-1/2 in. Caster.....	4
3	Tool Chest	1	10	Nut M8.....	4
4	Bolt M6 x 25	4	11	Bolt M8 x 40	4
5	Side Tool Tray	2	12	Support Bar	2
6	Tool Chest Frame	2	13	Plastic End Cap.....	4
7	Bolt M6 x 30	4			

ASSEMBLY

Before assembly of this product, make sure all hardware and components are present. Compare parts with the parts list and diagram. If any part is missing or damaged, do not attempt to assemble, install or operate the product.

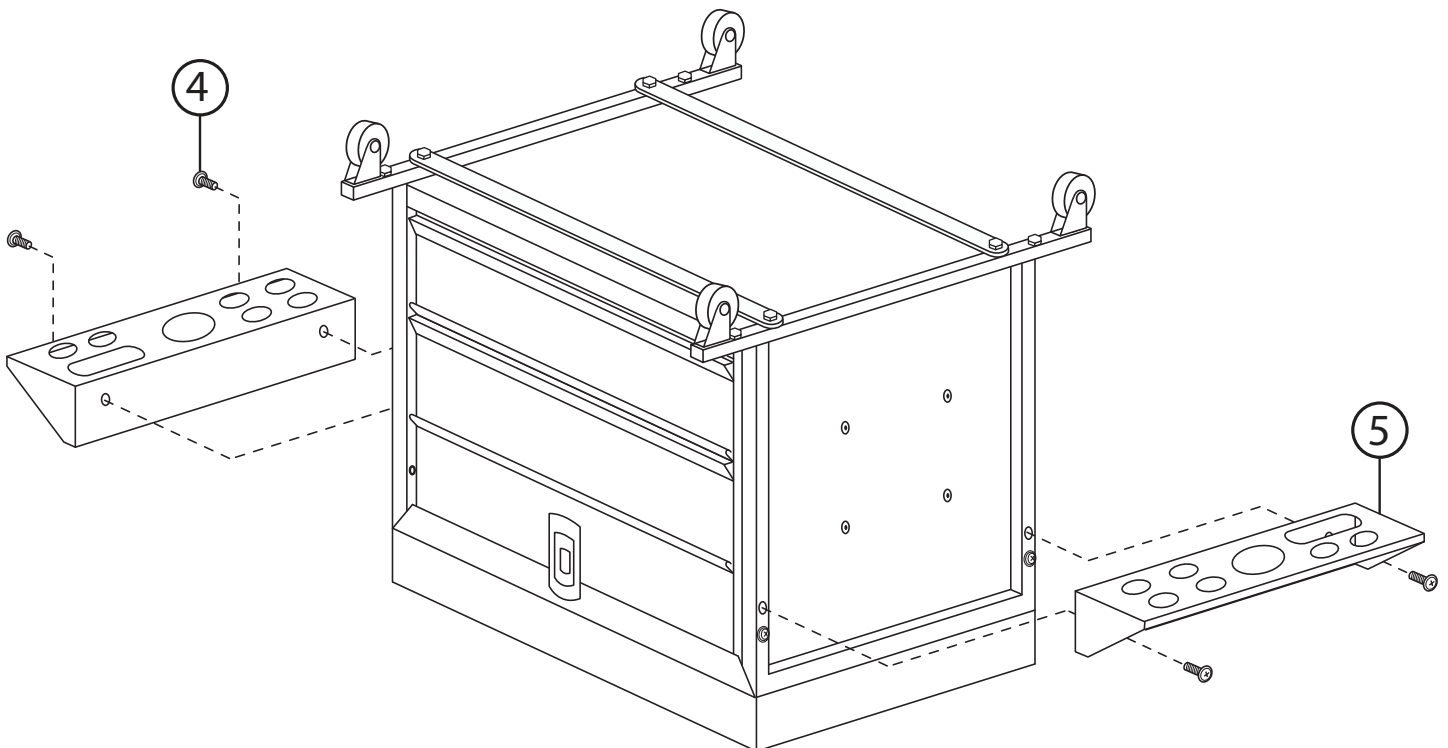
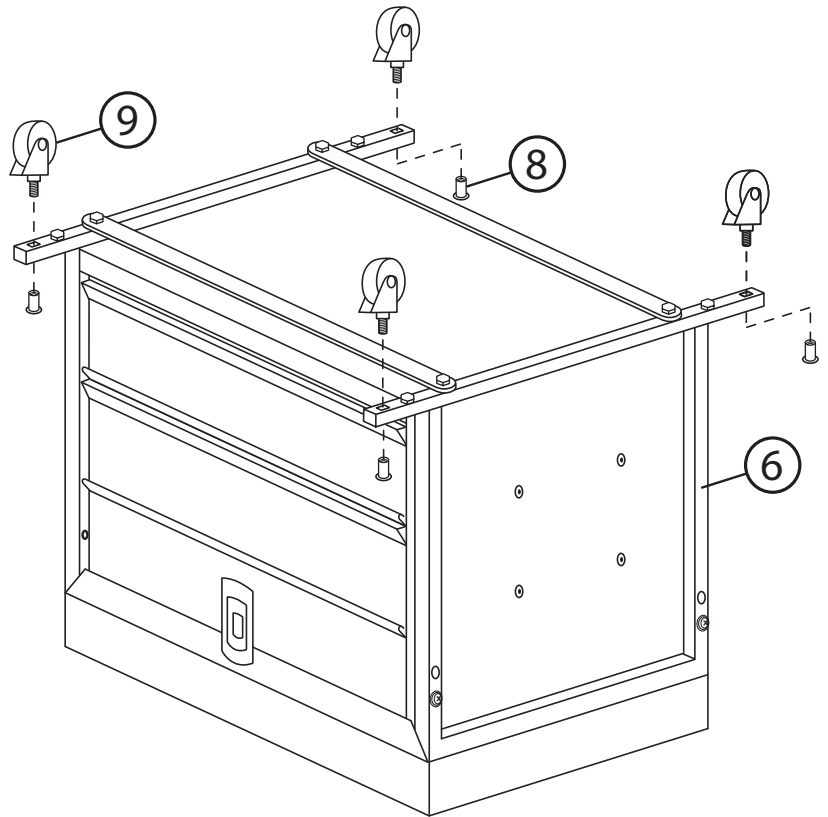
Step 1: Position the Tool Chest Frame (6) so the bottom is accessible and insert two 2-1/2 in. Casters (9) through the bottom of the square holes at the ends of the Tool Chest Frame (6).

Step 2: Place one Caster Nut M8 (8) through top of hole, thread on to the caster stem and hand tighten. Ensure the square portion of the caster stem is seated into the square opening and use a 6mm hex key to tighten each Caster Nut M8 (8) firmly.

Step 3: Rotate the Tool Chest so the holes for the other 2 casters are accessible and repeat steps 1 & 2.

Step 4: On one side of the Tool Chest position Tool Shelf (5) over the holes as shown and insert two M6*25 bolts (4) and tighten with a #2 Phillips screwdriver.

Step 5: Repeat for the 2nd Side Tool Tray (5) on the other side.



CARE & MAINTENANCE

Little maintenance is required for this product. Wipe clean as needed; use mild upholstery cleaner (not caustic) to clean seat.

- NEVER add lubricant to casters!
- Periodically check that all of the fasteners are tight.
- Keep the seat clean. Wash it with a mild soap and dry immediately.

STORAGE

When you are finished using the stool, store it in a safe place where it will not disturb or hinder others.

IMPORTANT SAFETY INFORMATION

1. DO NOT exceed rated capacity. Overloading the Tool Chest can cause damage to or failure of the unit and/or injury to users and bystanders.
2. Use only on a hard, level surface capable of sustaining the load. Use on unstable, uneven or otherwise surfaces can result in instability.
3. DO NOT stand on Tool Chest. Serious injury can result if it tips over or you accidentally come in contact with uneven ground.
4. DO NOT expose to heat, sparks, open flame or other high temperature sources.
5. Do not alter this product in any way. Inspect before use. Do not use if any signs of damage, excessive wear, cracks or broken parts are found. Check fasteners on a regular basis and ensure they are tight.
6. Keep your work area clean and well lit. Cluttered work areas invite accidents.
7. Keep bystanders, children, and visitors away while operating Tool Chest. Distractions can cause you to lose control.
8. Stay alert. Watch what you are doing, and use common sense when operating the Tool Chest. Do not use the Tool Chest while tired or under the influence of drugs, alcohol or medication. A moment of inattention while operating creeper may result in serious personal injury.
9. Store idle Tool Chest out of reach of children and other untrained persons.
10. Tool Chest service must be performed only by qualified repair personnel. Service or maintenance performed by unqualified personnel could result in a risk of injury.
11. When servicing a creeper, use only identical replacement parts - refer to product-specific parts list and diagram. Follow instructions in the Care & Maintenance section of this manual. Use of unauthorized parts or failure to follow maintenance instructions may create a risk of injury and may void any applicable warranty.
12. Maintain any labels and nameplates on the Tool Chest. These carry important information. If unreadable or missing, contact Performance Tool for a replacement.
13. The warnings, precautions, and instructions discussed in this manual cannot cover all possible conditions and situations that may occur. The operator must understand that common sense and caution are factors, which cannot be built into this product, but must be supplied by the operator.