

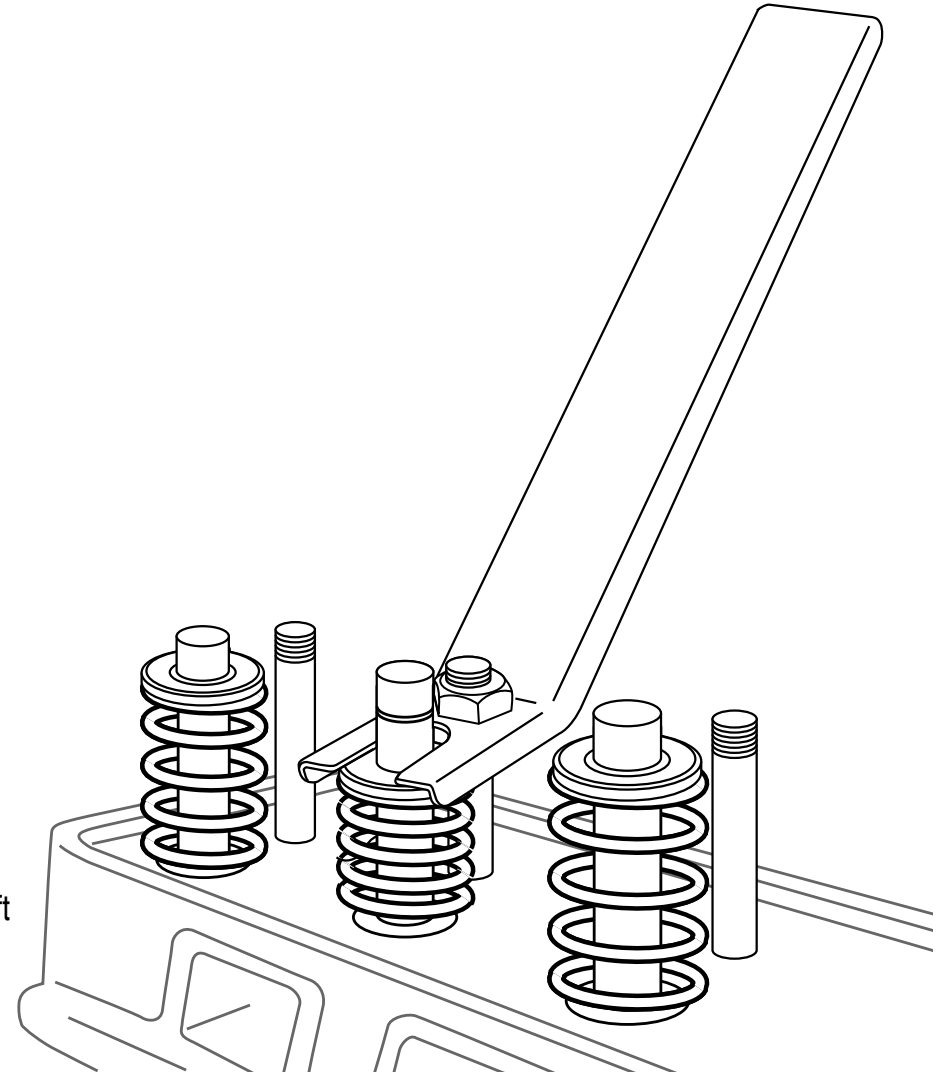
# VALVE SPRING COMPRESSOR

1. Install Air Valve Holder in spark plug hole and turn on air.
2. Remove rocker arm and place hole of tool over stud and secure with rocker nut.
3. Pull handle to compress valve spring and release retainers.

Use with Performance Tool® Air Valve Holder #W84003

## CAUTION:

Place vehicle in park or neutral with the emergency brake on prior to applying air pressure to the cylinders. Applying air pressure to the cylinder may cause the crankshaft to rotate, possibly causing vehicle movement. Keep clear of all belts, pulley and the fan.



**PT**  
Performance Tool®