

Rolling Engine Stand with Straps

Stock Number W41037

OWNER'S MANUAL

LIMITED WARRANTY

PERFORMANCE TOOL extends only the following warranties, and only to original retail purchasers. These warranties give specific legal rights. Except where prohibited by local law, the law of the State of Washington governs all warranties and all exclusions and limitations of warranties and remedies. There may be other rights which vary from state to state.

PERFORMANCE TOOL warrants the product to be free from defects in materials and workmanship under normal use and service. A defective product may be returned for a free replacement within 90 days from the date of purchase, provided that product is returned to place of purchase immediately after discovery of defect. After 90 days and up to 1 year from date of purchase, PERFORMANCE TOOL will replace at no charge any parts which our examination shall disclose to be defective and under warranty. These warranties shall be valid only when a sales receipt showing the date of purchase accompanies the defective product or defective part(s) being returned.

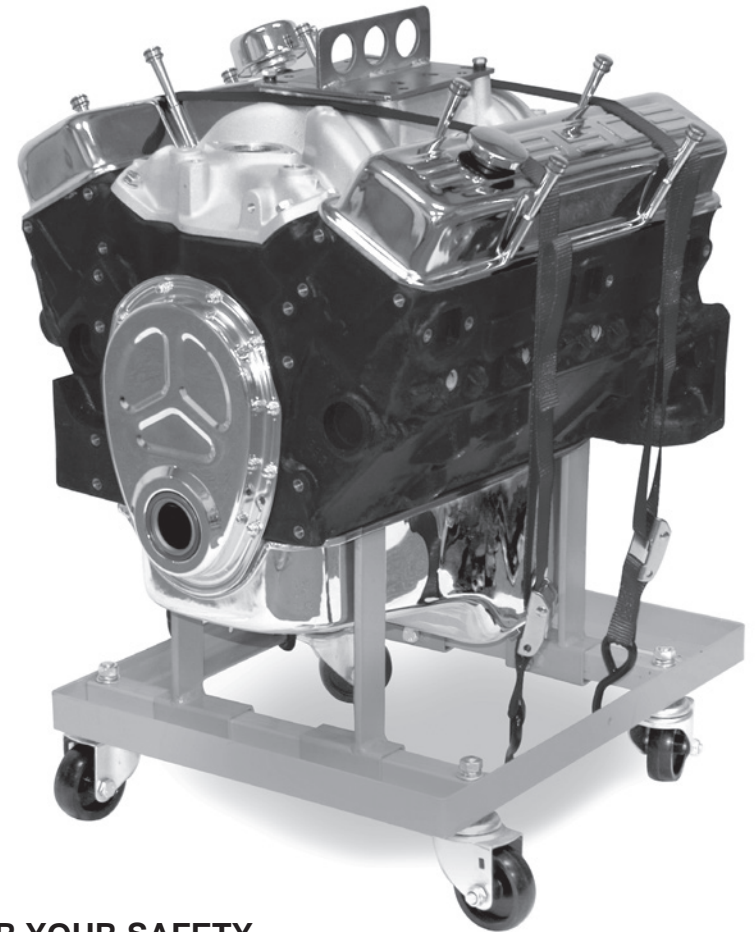
These warranties exclude blades, bits, punches, dies, bulbs, fuses, and other consumables which must be replaced under normal use and service. These warranties shall not apply to any product or part which is used for a purpose for which it is not designed, or which has been repaired or altered in any way so as to affect adversely its performance or reliability, nor shall these warranties apply to any product or part which has been subject to misuse, neglect, accident or wear and tear incident to normal use and service.

PERFORMANCE TOOL does not authorize any other person to make any warranty or to assume any liability in connection with its products.

Except for warranties of title and the limited express warranties set forth above, PERFORMANCE TOOL makes no express or implied warranties of any kind with respect to its products. In particular, PERFORMANCE TOOL makes no implied warranty of merchantability and no implied warranty of fitness for any particular purpose, except that for goods purchased primarily for personal, family or household use and not for commercial or business use, PERFORMANCE TOOL makes an implied warranty of merchantability (and, if otherwise applicable, an implied warranty of fitness for a particular purpose), but only for the particular qualities or characteristics, and for the duration, expressly warranted above. The laws on limitation of implied warranties may differ from state to state, so the above limitations may not apply in all cases.

PERFORMANCE TOOL shall not be liable for consequential, incidental or special damages resulting from or in any manner related to any product, or to the design, use, or any inability to use the product. The sole and exclusive remedy for a defective product or part shall be the repair, or replacement thereof as provided above. The laws on limitation of remedies or on consequential, incidental or special damages may vary from state to state, so the above limitations may not apply in all cases.

On occasion, after printing of our literature is completed, the manufacturers may make changes and/or modifications to their product which won't be reflected in this manual. Although we strive to maintain complete and accurate information, it is possible in certain instances that the product may differ slightly from printed specifications.

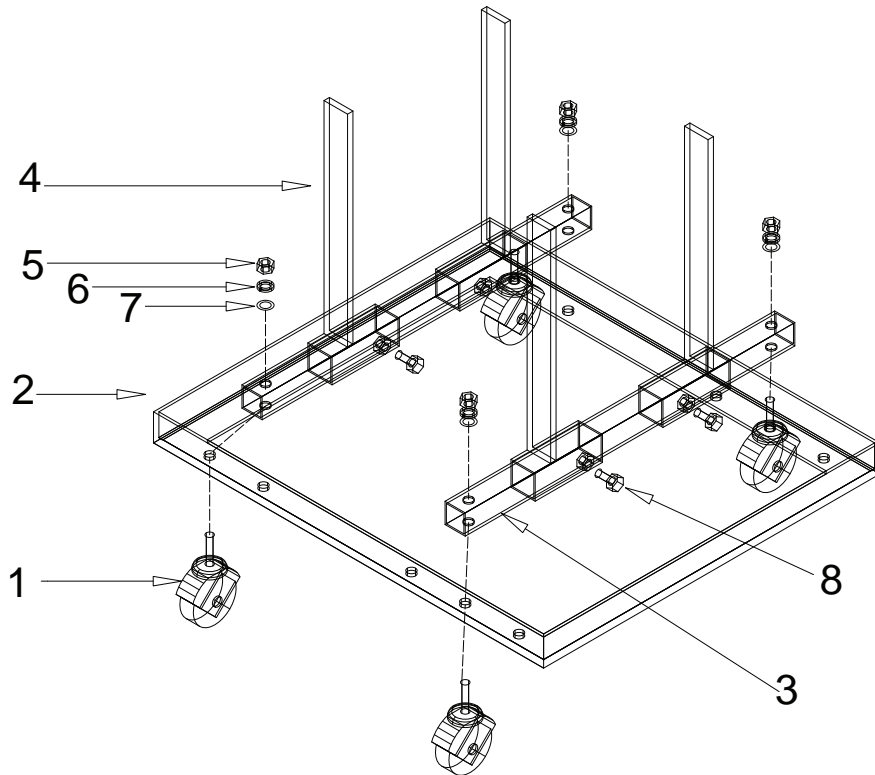


FOR YOUR SAFETY,
please read these instructions carefully and retain them for future use.

**Performance
Tool®**

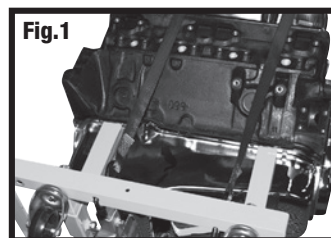
SPECIFICATIONS

Capacity: 750 lbs. Width: 18"
 Length: 21-3/4" Height: 13-3/4"



ASSEMBLY INSTRUCTIONS

1. Measure length of oil pan. This determines where the cross-braces (3) are attached to the frame (2). (See Fig.1)
2. With set screw holes facing inwards, slide 2 support uprights (4) onto each cross-brace (3).
3. Attach casters (1) through frame (2) and cross-braces (3), with nut (5), split washer (6), and flat washer (7) at desired length based on measurement in step 1. The length of the cross-braces (3) should be a minimum of 2" and a maximum of 4" shorter than the overall length of the oil pan. Tighten nut (5).



4. With the engine still being supported by hoist, lower the engine close enough to the stand to properly determine width of support uprights (4). Install set screws (8) into support uprights (4) and tighten.
5. Slowly lower engine onto stand. Using the straps provided, secure the engine to the stand before removing hoist.

PARTS LIST

#	Description	Qty.	#	Description	Qty.
1	Casters	4	5	M12 Nut	4
2	Frame	1	6	M12 Split Washer	4
3	Cross-Braces	2	7	M12 Flat Washer	4
4	Support Uprights	4	8	Set Screw	4

IMPORTANT SAFETY INFORMATION

Read these safety warnings before operation.

WARNING!

Failure to heed these warnings may result in loss of load, damage to engine stand, and/or engine stand failure resulting in personal injury or property damage.

WARNING!

Do not overload engine stand beyond rated capacity. Overloading can cause damage to or failure of the engine stand.

Always use stand on hard, level surface capable of sustaining the load. Use of stand on other than hard level surfaces can result in stand instability and possible loss of load.

MAINTENANCE & INSPECTION

1. Visual inspection shall be made before each use of the stands, checking for cracks, cracked welds and missing and/or damaged parts. Any stand that appears to be damaged in any way shall be removed from service immediately.
2. BECAUSE OF THE POTENTIAL HAZARDS ASSOCIATED WITH THE MISUSE OF EQUIPMENT OF THIS TYPE, NO MODIFICATIONS SHALL BE MADE TO THE PRODUCT.
3. Replace worn or damaged parts with Performance Tool replacement parts. Be sure that only qualified personnel perform repairs.