

MAINTENANCE & INSPECTION

1. Visual inspection shall be made before each use of the stands, checking for cracks, cracked welds and missing and/or damaged parts. Any stand that appears to be damaged in any way shall be removed from service immediately.
2. BECAUSE OF THE POTENTIAL HAZARDS ASSOCIATED WITH THE MISUSE OF EQUIPMENT OF THIS TYPE, NO MODIFICATIONS SHALL BE MADE TO THE PRODUCT.
3. Replace worn or damaged parts with Performance Tool replacement parts. Be sure that only qualified personnel perform repairs.

1 YEAR LIMITED WARRANTY

PERFORMANCE TOOL® extends only the following warranties, and only to original retail purchasers. These warranties give specific legal rights. Except where prohibited by local law, the law of the State of Washington governs all warranties and all exclusions and limitations of warranties and remedies. There may be other rights which vary from state to state.

PERFORMANCE TOOL® warrants the product to be free from defects in materials and workmanship under normal use and service. A defective product may be returned for a free replacement within 90 days from the date of purchase, provided that product is returned to place of purchase immediately after discovery of defect. After 90 days and up to one year from date of purchase, PERFORMANCE TOOL® will replace at no charge any parts which our examination shall disclose to be defective and under warranty. These warranties shall be valid only when a sales receipt showing the date of purchase accompanies the defective product or defective part(s) being returned.

These warranties exclude blades, bits, punches, dies, bulbs, fuses, hoses, and other consumables which must be replaced under normal use and service. These warranties shall not apply to any product or part which is used for a purpose for which it is not designed, or which has been repaired or altered in any way so as to affect adversely its performance or reliability, nor shall these warranties apply to any product or part which has been subject to misuse, neglect, accident or wear and tear incident to normal use and service.

PERFORMANCE TOOL® does not authorize any other person to make any warranty or to assume any liability in connection with its products.

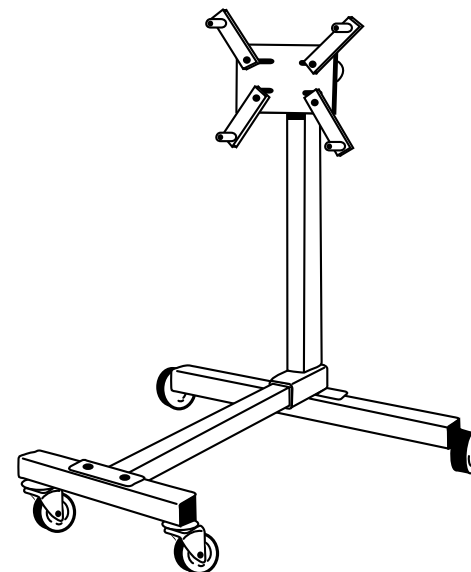
Except for warranties of title and the limited express warranties set forth above, PERFORMANCE TOOL® makes no express or implied warranties of any kind with respect to its products. In particular, PERFORMANCE TOOL® makes no implied warranty of merchantability and no implied warranty of fitness for any particular purpose, except that for goods purchased primarily for personal, family or household use and not for commercial or business use, PERFORMANCE TOOL® makes an implied warranty of merchantability (and, if otherwise applicable, an implied warranty of fitness for a particular purpose), but only for the particular qualities or characteristics, and for the duration, expressly warranted above. The laws on limitation of implied warranties may differ from state to state, so the above limitations may not apply in all cases.

PERFORMANCE TOOL® shall not be liable for consequential, incidental or special damages resulting from or in any manner related to any product, or to the design, use, or any inability to use the product. The sole and exclusive remedy for a defective product or part shall be the repair, or replacement thereof as provided above. The laws on limitation of remedies or on consequential, incidental or special damages may vary from state to state, so the above limitations may not apply in all cases.

1,000 lb. Engine Stand

Stock Number W41025

OWNER'S MANUAL



▲WARNING

It is the owner and/or operators' responsibility to study all WARNINGS, operating, and maintenance instructions contained on the product label and instruction manual prior to operation of this product. The owner/operator shall retain product instructions for future reference.

The owner and/or operator are responsible for maintenance, maintaining all decals or warning labels and while in use, maintaining the unit in good working order. If the owner and/or operator are not fluent in English, the product warnings and instructions shall be read and discussed with the operators' native language by the purchaser/owner or his designee. Make sure that the operator comprehends its contents. Safety information shall be emphasized and understood prior to usage. The product shall be inspected per the operating instructions.

Users of this product must fully understand these instructions. Each person operating this product must also be of sound mind and body and must not be under the influence of any substance that might impair their vision, dexterity or judgment.

Protect yourself and others by observing all safety information.

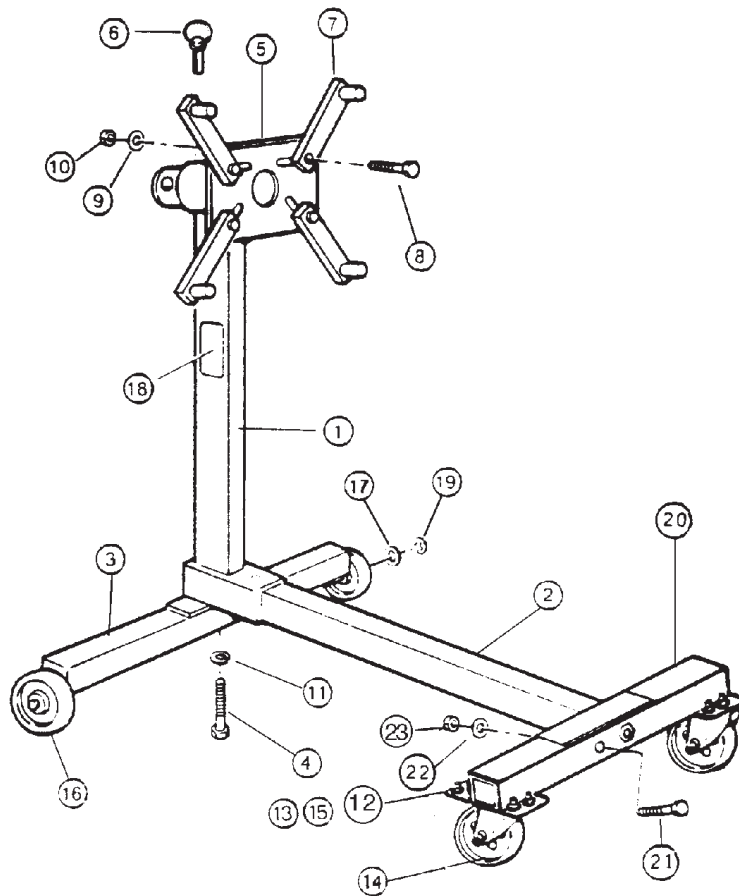
Failure to comply with instructions could result in personal injury and/or property damage!

FOR YOUR SAFETY,
please read these instructions carefully and retain them for future use.

SPECIFICATIONS

Capacity: 1,000 lbs.
 Length: 30-5/8"
 Width: 30-1/2"
 Height: 33-7/16"

Specifications are subject to
 change without notice



ASSEMBLY INSTRUCTIONS

1. Attach main post (1) and center frame (2) to rear frame (3) with bolt (4) and washer (11) as shown in drawing.
2. Attach front frame (20) to center frame (2) with bolts (21), washers (22) and nuts (23).
3. Insert head mounting plate into collar at top of main post and secure with lock pin (6).
4. Attach mounting arms (7) to head mounting plate with nuts, bolts & washers (8), (9) & (10).

PARTS LIST

#	Description	Qty.	#	Description	Qty.
1	Main Post	1	13	Nut, M8	8
2	Center Frame	1	14	Caster Wheel	2
3	Rear Frame	1	15	Lock Washer, M8	8
4	Bolt, M12 x 75 lg.	1	16	Rear Wheel	2
5	Head Mounting Plate	1	17	Flat Washer, M12	4
6	Lock Pin	1	18	Warning Label	1
7	Mounting Arms	4	19	E-Ring	2
8	Bolt M12 x 60 lg.	4	20	Front Frame	1
9	Flat Washer, M12	4	21	Bolt, M10 x 60 lg.	2
10	Hex Nut, M12	4	22	Washer, flat, M10	2
11	Lock Washer, M12	1	23	Nut, M10	2
12	Bolt, M8 x 16	8			

IMPORTANT SAFETY INFORMATION

Read these safety warnings before operation.

WARNING!

Failure to heed these warnings may result in loss of load, damage to engine stand, and/or engine stand failure resulting in personal injury or property damage.

WARNING!

Do not overload engine stand beyond rated capacity. Overloading can cause damage to or failure of the engine stand.

Always use stand on hard, level surface capable of sustaining the load. Use of stand on other than hard level surfaces can result in stand instability and possible loss of load.

Always lock rotational locking device before applying load. Assure that the load is centered and secured to the mounting plate. Off center loads may make the load and handle rotate in either direction when the rotational locking device is released.

OPERATION

1. BEFORE APPLYING LOAD TO STAND, LOCK MOUNTING PLATE WITH LOCK PIN. (See part #6 on parts drawing.)
2. Attach rear of engine block to mounting head securely according to vehicle manufacturer's specifications.
3. Assure load is centered and secured to mounting plate before removing lifting device.

Check out the collection of garage accessories we offer.