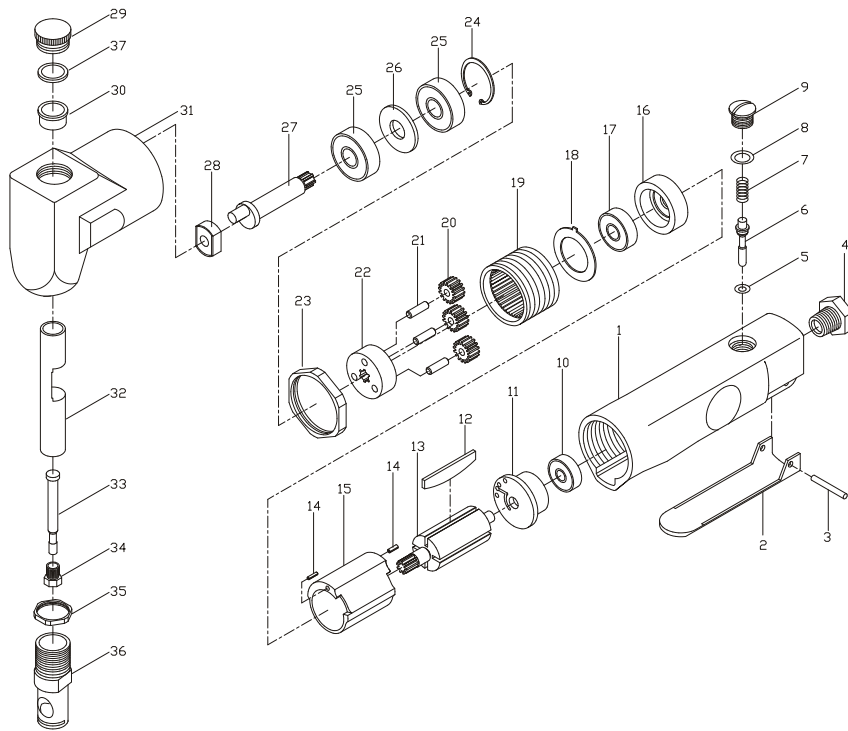


PARTS LIST



INDEX	DESCRIPTION	QTY	INDEX	DESCRIPTION	QTY
1	Housing	1	20	Idle Gear	3
2	Trigger	1	21	Gear Pin	3
3	Trigger Pin	1	22	Gear Plate	1
4	Air Inlet	1	23	Clamp Nut	1
5	O-Ring	1	24	Retainer	1
6	Valve Stem	1	25	Bearing	2
7	Spring	1	26	Washer	1
8	O-Ring	1	27	Crank Shaft	1
9	Screw Knob	1	28	Driving Bushing	1
10	Bearing	1	29	Screw Knob	1
11	Rear Plate	1	30	Bushing	1
12	Blade	4	31	Nibble Head	1
13	motor	1	32	Slide Rod	1
14	Pin	2	33	Cutter	1
15	Cylinder	1	34	Set Screw	1
16	Front plate	1	35	Clamp Nut	1
17	Bearing	1	36	Cutter Die	1
18	Washer	1	37	O-ring	1
19	Gear Ring	1	38	Cutter	2

AIR NIBBLER

Stock Number M552DB

OWNER'S MANUAL

SPECIFICATIONS:

Air pressure (P.S.I.)	90
Average air consumption (C.F.M.)	4
Free speed (R.P.M.)	3,500
Air inlet (N.P.T.)	1/4
Hose size (I.D.)	3/8 in.
Length (IN.)	7.6
Weight (LBS.)	2.0

Specifications are subject to change without notice.



WARNING!

READ, UNDERSTAND AND FOLLOW ALL INSTRUCTIONS AND WARNINGS BEFORE OPERATING THIS TOOL. FAILURE TO DO SO MAY RESULT IN PERSONAL INJURY AND/OR PROPERTY DAMAGE AND WILL VOID WARRANTY.

IMPORTANT SAFETY INFORMATION

1. Be sure air is in "OFF" position when connecting tool to air supply.
2. Always wear approved eye protection when using air tools. If raising dust, wear a suitable mask.

WARNING: Some dust created by power sanding, sawing, grinding, drilling, and other construction activities, contain chemicals known [to the State of California] to cause cancer, birth defects or other reproductive harm. Some examples of these chemicals are:

1. Lead from lead-based paints;
2. Crystalline silica from bricks and cement or other masonry products;
3. Arsenic and chromium from chemically treated lumber.

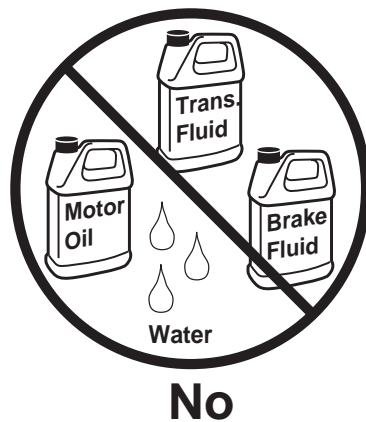
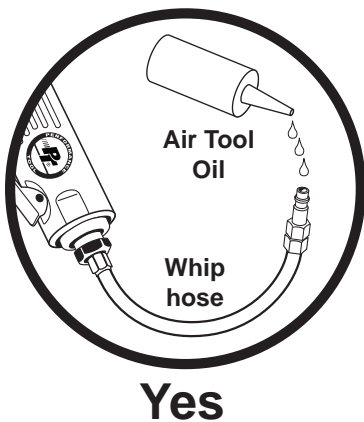
Your risk from these exposures varies, depending on how often you do this type of work. To reduce your exposure to these chemicals: work in a well ventilated area, and work with approved safety equipment, such as those dust masks that are specially designed to filter out microscopic particles.

3. Use only those accessories that are designed for use with air tools. For example, with impact wrenches do not use ordinary sockets. Use impact sockets for all- air tools.
4. Be sure to disconnect tool from air supply before changing accessories, performing service on tool and when not in use.
5. As with any tool, use common sense when operating. Do not wear loose clothing or jewelry that could become caught by moving parts, causing injury. Operate tool a safe distance from yourself and others in the work area.
6. To ensure long life of the air tool be sure to oil the tool daily before using. See below for instructions.
7. Follow air source manufacturers directions for connection of regulators, filters, and other accessories to air source. Do not install quick couplers directly on tool as they put unnecessary strain on the air inlet threads possibly causing them to wear out prematurely. Instead, install them on a short length of air hose attached to the tool.

LUBRICATION & MAINTENANCE

Oil tool before each use. 4 to 5 drops of a good grade Air Tool Oil placed in the air inlet is sufficient. Use proper air pressure and CFM rating listed for this tool.

Drain water from hoses and compressor tank. Water in the air supply line will cause gumming and loss of power. Clean the air filter on the supply line and flush the tool with gum solvent or a 50/50 mix of air tool oil and kerosene. It may be necessary to disassemble the tool to properly clean and re-lubricate.



AIR SOURCE

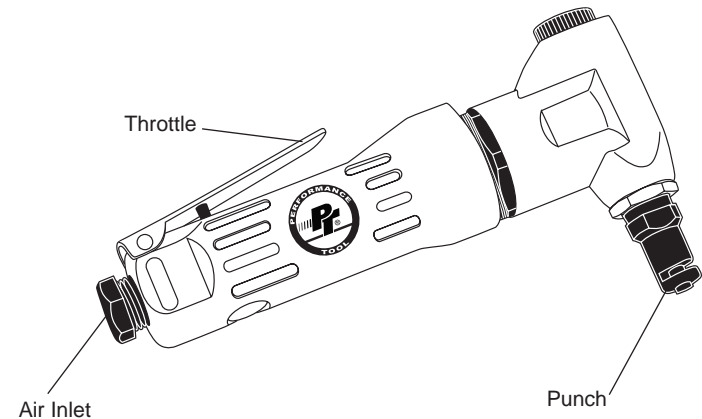
Clean air of correct air pressure is recommended for the power supply for this tool. A maximum of 90 PSI at the tool is recommended for most air tools of this class. Check specifications section for recommended pressure. (Depending on length of air hose and other circumstances, air pressure at compressor may need to be increased to 100 PSI to ensure 90 PSI at the tool.)

Water in the air hose and compressor tank contributes to reduced performance and damage of the air tool. Drain the air tank and filters before each use and as necessary to keep the air supply dry.

Hose length over 25' causes loss in line pressure. Increase hose I.D. or increase compressor pressure to compensate for the pressure loss. Use an in-line pressure regulator with gauge if air inlet pressure is critical.

OPERATION

1. Hold nibbler square with work and start motor. Apply steady, even pressure. Do not force. Too much pressure can cause punch to overheat and break. Tool little pressure will keep nibbler from cutting and cause it to overheat.
2. Reduce pressure just before cutting through the work . When nibbler has completed cut, remove from the work while the motor is running, then turn off the tool.
3. If the nibbler jams while cutting, release throttle immediately. Check to determine cause of trouble before restarting motor. Do not attempt to free tool by starting and stopping the motor.



TROUBLESHOOTING

INSUFFICIENT POWER:

Probable Cause	Solution
Dirty or clogged air passages.....	Flush and lubricate tool, drain air tank and supply line
Insufficient air supply.....	Increase line pressure, Make sure compressor matches tool's air pressure and consumption needs
Air leakage.....	Use PTFE tape at all fittings and joints. Check tool for worn or damaged O-rings & seals.
Worn/damaged wear & tear parts...	Replace as necessary.
Tool matching	Be sure you are using a tool suited for the torque requirements of the job at hand.

Check out the collection of air tools & compressors we offer.