



**JEEP / INTERNATIONAL  
BODY LIFT KIT  
INSTALLATION INSTRUCTIONS  
1972-1985 CHEROKEE / WAGONEER /  
P/U J10, J20 W/ 12 BODY MOUNTS**  
2" KIT# 922  
3" KIT# 923

**1975-1982 CHEROKEE / WAGONEER  
W/ 10 BODY MOUNTS** 2" KIT# 902  
3" KIT# 903

**1972-1982 SCOUT II** 2" KIT# 802  
3" KIT# 803

**⚠ WARNING**  
DO NOT combine suspension, body, or other lift devices. Use of vehicle with combined lifts may result in unsafe and/or unexpected handling characteristics.

**⚠ WARNING**  
This kit should only be installed on a vehicle that is in good working condition. Before you install the kit, thoroughly inspect the vehicle for corrosion or deformation of the sheet metal around the factory body mounts. If the vehicle is suspected to have been in a collision or misused, do not install this kit. Off-road use of your vehicle with this kit installed may increase the stress applied to the factory body mounts. We do not recommend that any vehicle with a body lift kit installed be involved in any extreme off-road maneuvers such as jumping. Failure to observe this warning may result in serious personal injury and/or severe damage to your vehicle.

**⚠ WARNING**  
Many states and municipalities have laws restricting bumper heights and vehicle lifts. Consult state and local laws to determine if the changes you intend to make to the vehicle comply with the law.

**⚠ WARNING**  
The installation of larger tires may reduce the effectiveness of the braking system.

**⚠ WARNING**  
Always wear eye protection when operating power tools.

**⚠ WARNING**  
Before you install this kit, block the vehicle tires to prevent the vehicle from rolling.

**⚠ WARNING**  
Accidental deployment of the air bag can result in serious personal injury or death. To avoid accidental deployment during installation of the kit, the Supplemental Restraint System (SRS, or airbag) must remain deactivated. Do not allow anyone near the airbag during installation. Refer to the factory service manual or owner's manual for the recommended procedure to disable the SRS. After you install the kit, reactivate the SRS before driving the vehicle.

**NOTE**  
Performance Automotive Group recommends using the Loctite® supplied in the kit on the threads of all kit nuts and bolts unless specified otherwise in these instructions.

**⚠ WARNING**  
Installation of a Performance Automotive Group body lift kit will change the vehicle's center of gravity and handling characteristics both on- and off-road. You must drive the vehicle safely! Extreme care must be taken to prevent vehicle rollover or loss of control, which could result in serious injury or death. Avoid sudden sharp turns or abrupt maneuvers and always make sure all vehicle occupants have their seat belts fastened.

**⚠ WARNING**  
Before you install this kit, read and understand all instructions, warnings, cautions, and notes in this instruction sheet and in the vehicle owner's manual.

**⚠ CAUTION**  
Proper installation of this kit requires knowledge of the factory recommended procedures for removal and installation of original equipment components. We recommend that the factory shop manual and any special tools needed to service your vehicle be on hand during the installation. Installation of this kit without proper knowledge of the factory recommended procedures may affect the performance of these components and the safety of the vehicle. We strongly recommend that a certified mechanic familiar with the installation of similar components install this kit.

# Before Starting Installation

## NOTE

Kit parts are prefaced by the word *kit* and appear in **bold** print.

1. Carefully read all warnings and instructions completely before beginning.
2. Verify all parts have been received in this kit by checking the parts list at the end of this document.

## NOTE

If parts are missing from kit, please be prepared to provide the following information:

1. **Name** of purchase location
2. **Bar Code** on side of box
3. **Date** above bar code
4. **Date** inside box cover
5. **Inspector #** from inside box cover

3. **Only install this kit on the vehicle for which it is specified.**
4. Special tools needed:
  - a. Die grinder, hacksaw or similar tool capable of cutting metal.
  - b. Length of 2 x 4
5. Park vehicle on a clean, dry, flat, level surface and block tires so vehicle cannot roll in either direction.

## Engine Compartment

1. Disconnect both battery cables. Disconnect negative cable first, then positive cable.
2. Airbag Fuse

## NOTE

The location of the airbag fuse may vary; check the owner's manual.

- a. Remove fuse cover.
- b. Remove airbag fuse if present.

## Measurements

1. Measure and record distance between cab and bed.

Driver Side \_\_\_\_\_ Passenger Side \_\_\_\_\_

## Prepare to Install Kit

### Front of Vehicle

1. Remove hardware and front bumper from vehicle.

### Engine Compartment

1. Ensure ample slack (approximately height of lift) in all brake lines, wiring harnesses, radiator and A/C hoses, window washer hoses, park brake cables, etc. before lifting cab.
2. **Slip-joint models:** Steering Shaft

## ⚠ WARNING

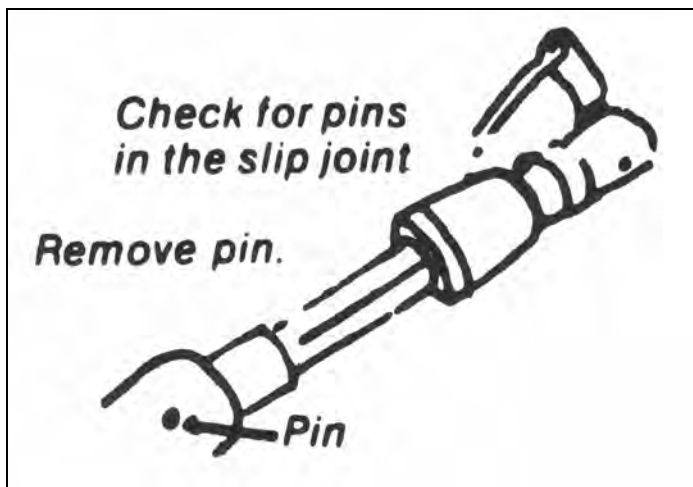
Accidental deployment of the air bag can result in serious personal injury or death. To avoid accidental deployment during installation of the lift kit, the Supplemental Restraint System (SRS, or airbag) must remain deactivated. Do not allow anyone near the airbag during installation. Refer to the factory service manual or owner's manual for the recommended procedure to disable the SRS. After kit installation, the SRS must be reactivated before driving the vehicle.

## CAUTION

If the following step is not performed, the airbag clockspring could be damaged. Do not turn the steering wheel while the steering shaft is disconnected.

- a. Strap steering wheel to prevent accidental movement.

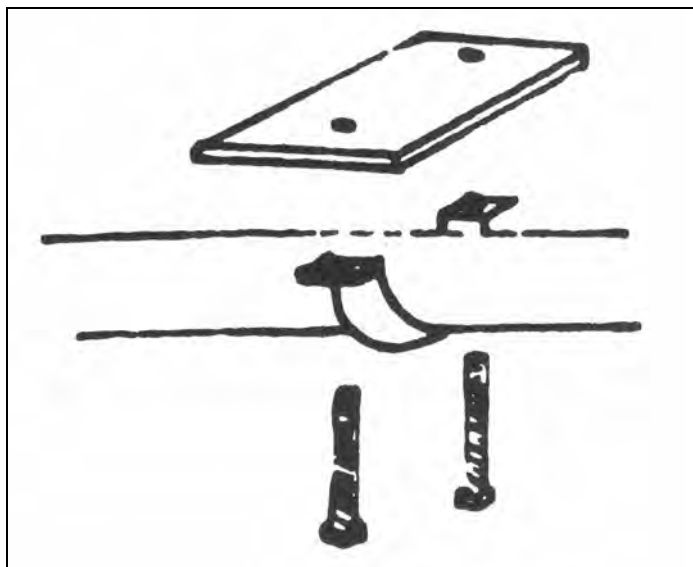
- b. Inspect steering column slip joint. If pins are securing outer sections of slip joints, remove pins.



- 3. Remove hardware, fan and fan shroud from vehicle.

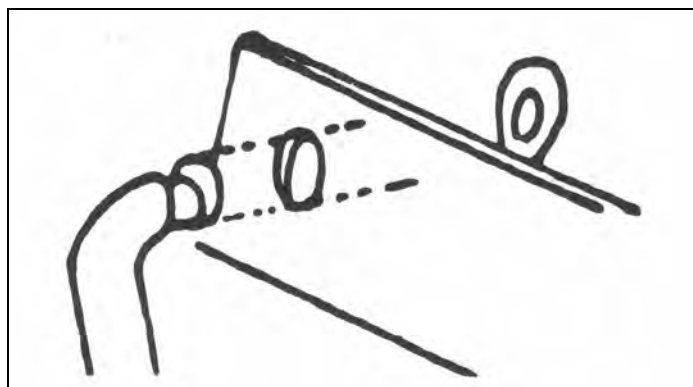
**Inside of Vehicle**

- 1. **Non slip-joint models:** Steering column
  - a. If steering column does not have a slip joint, loosen bolts and steering column clamp from underneath dashboard near firewall.



- 2. **Column shift models:** Manual transmission
  - a. Ensure 1st gear is selected on transmission.

- b. Disconnect linkage bars from shift bracket on steering column and transmission bracket.



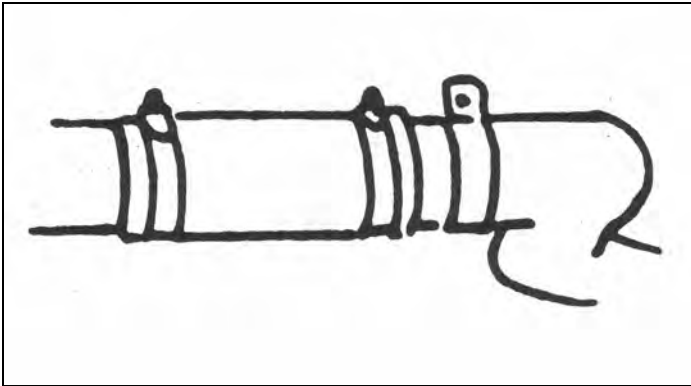
- 3. **Floor shift models:** Manual transmission
  - a. Ensure 1st gear is selected on transmission
- 4. **Column shift models:** Automatic transmission
  - a. Ensure transmission is set to 'Park.'
  - b. Disconnect linkage bar from shift bracket on steering column.
- 5. **Floor shift models:** Manual transmission
  - a. Ensure transmission is set to 'Park.'
- 6. **In-cab fuel tank models:**
  - a. If cab mount bolts are located beneath in-cab fuel tank, it may be necessary to remove fuel tank to access cab mount bolts.

**Underside of Vehicle**

- 1. **Floor shift models:** Manual transmission
  - a. Disconnect clutch linkage from pedal rod and clutch housing.
- 2. Automatic transmission
  - a. Disconnect linkage bar from transmission bracket.

## Rear of Vehicle

1. Inspect fuel filler neck. Loosen clamps at joint(s) and extend fuel filler accordingly (approximately 2" for 2" lift, 3" for 3" lift).

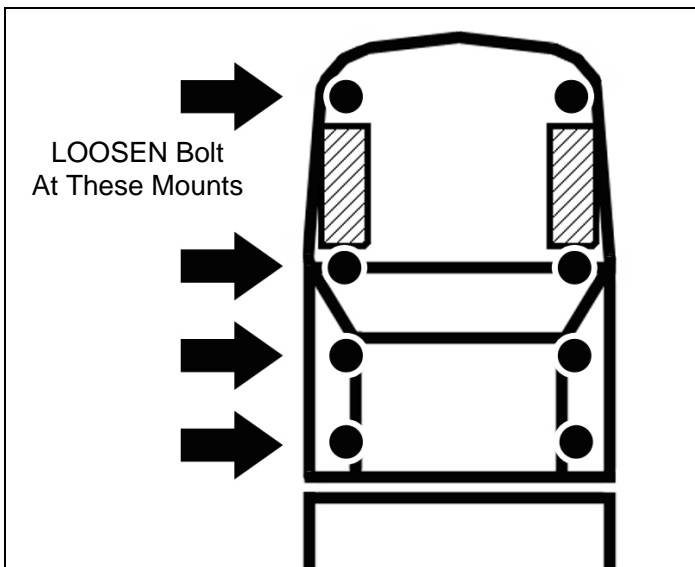


2. Ensure ample slack (approximately height of lift) in all brake lines, wiring harnesses, radiator and A/C hoses, window washer hoses, park brake cables, etc. before lifting bed.
3. Inspect rear bumper. If bed can be raised height of lift without interference, DO NOT REMOVE rear bumper. Otherwise, remove hardware and rear bumper from vehicle.

## Install Kit

### Cab

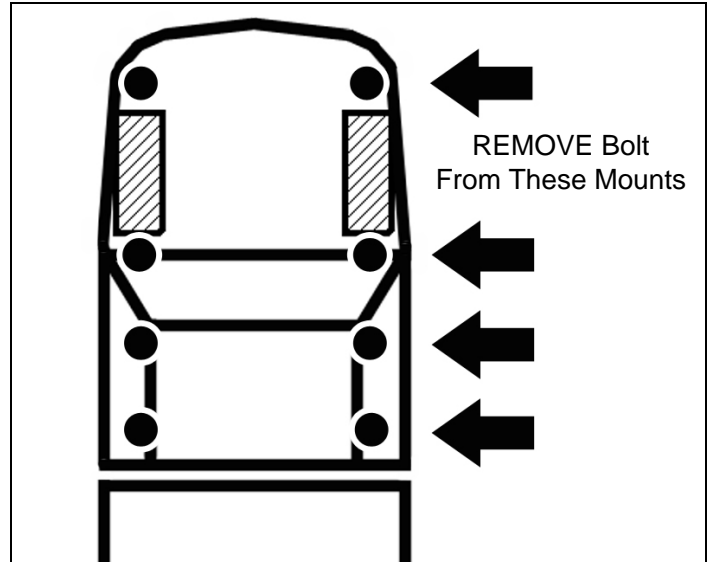
1. Prepare to lift cab from frame
  - a. Loosen, but DO NOT REMOVE, cab mounting bolts on driver side.



### NOTE

The number of cab mounting bolts may vary with the length of the cab.

- b. Remove bolt and lower bushing from each cab mount on passenger side.



### ⚠ WARNING

Use extreme caution when lifting body from frame. To prevent serious personal injury, ensure the lifting device is securely placed. Keep your hands out from between the body and frame.

### ⚠ CAUTION

Continually check hoses, wires, lines, etc. to be sure that everything is flexing properly and not binding, or damage to the vehicle could result. Be especially careful of the a/c hoses at the fire wall, the belt pulley, and at the core support. Ensure brake lines stretch while lifting. Bending the lines to gain ample slack may be necessary. Be extremely careful not to kink the lines.

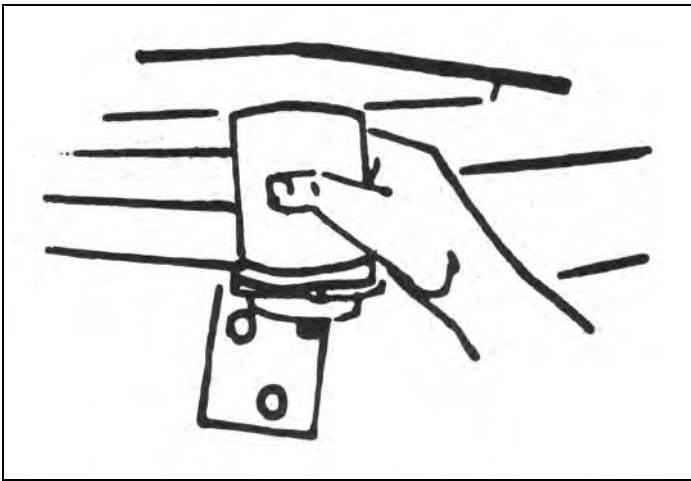
2. Cab passenger side

- a. Position a hydraulic floor jack and a wood block under passenger side of cab (under the body seam). Slowly lift cab just enough to install a **kit block** on top of factory upper bushing.

### ⚠ WARNING

The **kit blocks** must be installed in addition to the factory upper and lower bushings. Installing the **kit blocks** without the factory upper and lower bushings could result in damage to the vehicle or serious personal injury.

- b. Install *kit blocks* onto upper bushings on each cab mount.



- c. Lower cab onto *kit blocks*.
- d. Install lower bushing and *kit bolt* on each cab mount. DO NOT TIGHTEN.

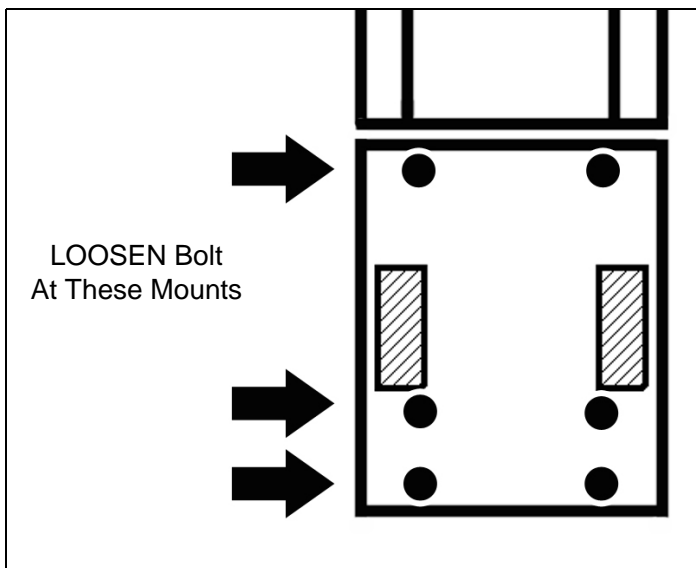
3. Cab driver side

- a. Repeat previous steps on driver side of cab.
- b. Set cab-to-bed spacing according to previous measurement.
- c. Remove each *kit bolt*, one at a time, and apply a small amount of *kit Loctite®* onto threads. Install *kit bolt*, *kit washer*, and lower bushing. TIGHTEN *kit bolt* to 55 ft. lbs.

**Bed**

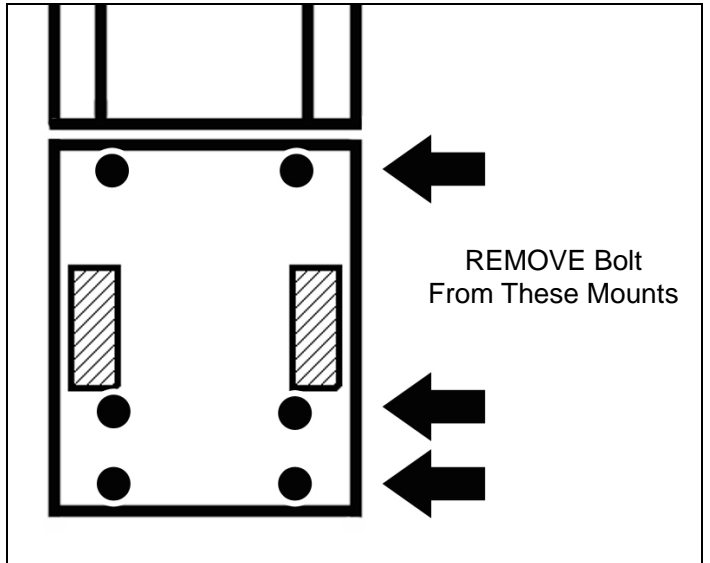
1. Prepare to lift bed from frame

- a. Loosen, but DO NOT REMOVE, bed mounting bolts on driver side.



**NOTE**  
The number of bed mounting bolts may vary with the length of the bed.

- 2. Remove bolt from each bed mount on passenger side.



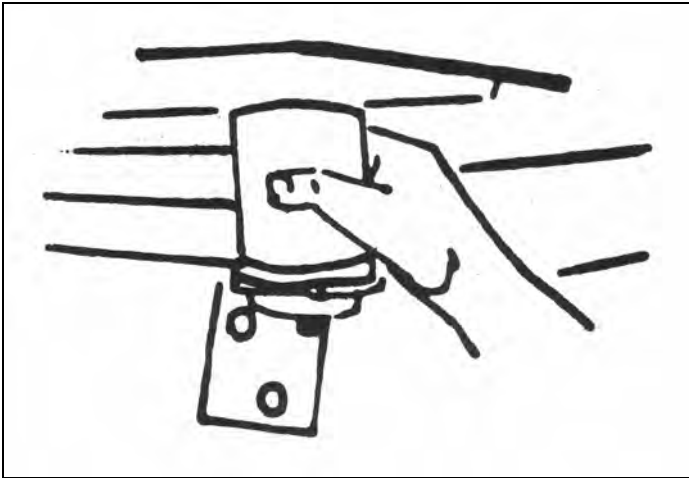
**WARNING**  
Use extreme caution when lifting the bed from the frame. To prevent serious personal injury, ensure the lifting device is securely placed. Keep your hands out from between the bed and frame.

**CAUTION**  
To prevent damage to the vehicle while lifting the bed, continually check hoses, wires, brake lines, etc. to ensure everything is flexing properly and not binding. Ensure clearance between bed and cab is maintained.

3. Bed passenger side

- a. Using a hydraulic floor jack and a wood block, slowly lift bed just enough to install *kit block* on top of frame mounts.

- b. Install *kit blocks* on frame mounts.



- c. Lower bed onto *kit blocks*.
- d. Install *kit bolts* and *kit washers* onto each bed mount. DO NOT TIGHTEN.
- e. Repeat previous steps on driver side of bed.
- f. Set bed-to-cab spacing according to previous measurement.
- g. Remove each *kit bolt*, one at a time, and apply a small amount of *kit Loctite®* onto threads. Install *kit bolt* with *kit washer*. TIGHTEN *kit bolt* to 55 ft. lbs.

## Rear of Vehicle

1. Rear bumper
  - a. Install rear bumper onto vehicle with hardware if removed.
2. Fuel filler

### ⚠ WARNING

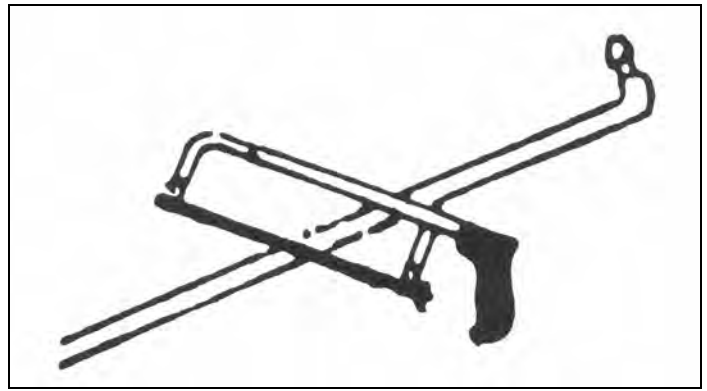
Use extreme caution when working near the fuel lines and the fuel tank. Clean up spilled fuel immediately. A spark could cause an explosion or fire resulting in serious personal injury and property damage.

- a. Inspect fuel filler and ensure proper length between fuel filler hose and fuel tank.
- b. TIGHTEN clamps if loosened.

## Underside of Vehicle

1. Automatic & Manual transmissions
  - a. Mark alignment mark lengthwise along linkage.

- b. Mark cut line perpendicular to alignment mark, near linkage halfway.

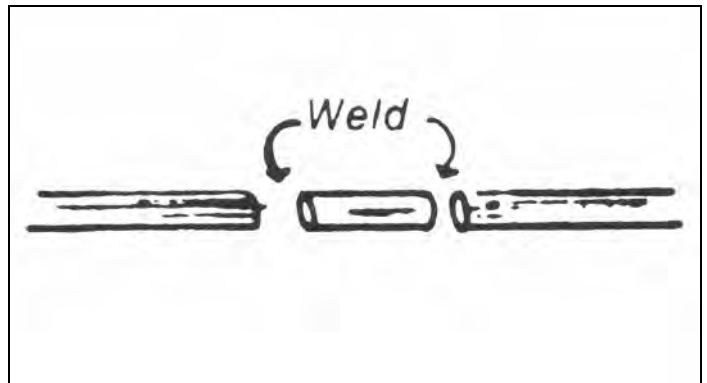


- c. Cut linkage through cut line.
- d. Mark *kit extension* (linkage) lengthwise to allow linkage section to properly align.
- e. Align linkage sections and *kit extension* (linkage).

### ⚠ WARNING

All welding should be performed by a certified welder or welding shop.

- f. Weld linkage sections to *kit extension* (linkage).

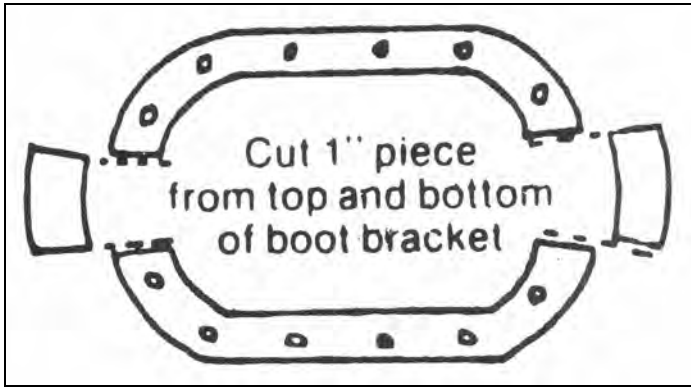


- g. Install upper end of linkage onto shifter.
- h. Install lower end of linkage onto transmission or bracket.

## Inside of Vehicle

1. **In-cab fuel tank models:**
  - a. Install in-cab fuel tank into cab if removed.
2. **Floor shift models:**
  - a. Test transmission shifter in all gears.
  - b. If shifter does not engage all gears, bend shift lever slightly towards driver side.

- c. If shifter does not engage all gears after performing previous substep, remove hardware, shifter boot and boot bracket from floor.
- d. Mark and cut sections from boot bracket.



- e. Install boot and boot bracket onto floor with hardware.
- f. Test transmission shifter in all gears.

**3. Non slip-joint models: Steering shaft**

- a. Adjust steering column beneath dashboard by pulling steering column toward firewall and TIGHTEN loosened hardware.
- b. Test steering by turn wheel from left to right several times.
- c. If bind occurs, loosen steering column bolts and clamp. Cut or clearance floor around steering column to allow steering wheel to assume a more natural position.
- d. Drill new holes, if necessary, and install steering column with clamp, bolts and *kit washers*, to space steering column downward approximately 1/4".

**Engine Compartment**

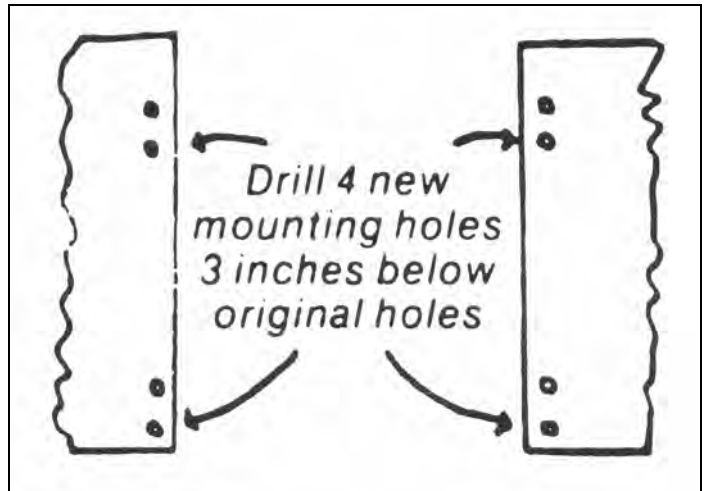
**1. Slip-joint models: Steering shaft**

- a. Install pins into slip joint if possible.

**2. 1979 and older models: Radiator**

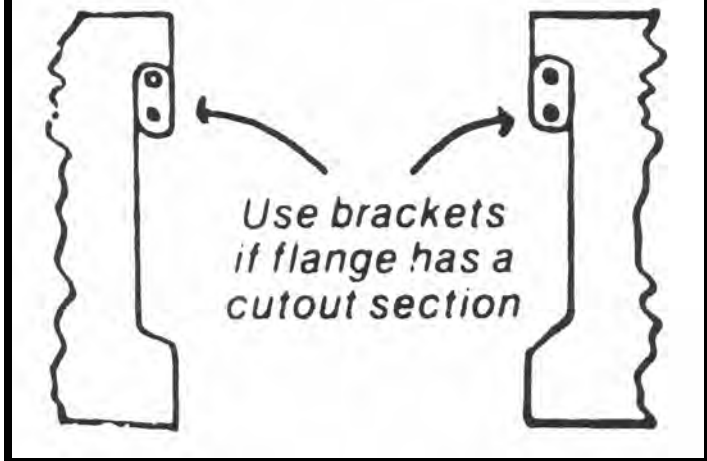
- a. Position 2 x 4 across frame rails beneath radiator.
- b. Remove hardware and lower radiator onto 2 x 4.

- c. Measure 2" (or 3" for 3" lift) below original radiator mounting holes in core support and mark new holes.



**NOTE**

Some core supports do not have enough material to allow new holes drilled 2" (or 3" for 3" lift) below original radiator position. Use *kit brackets* (radiator) to lower radiator.



- d. Drill new holes through core support at marked positions.
- e. Install radiator onto new holes in core support with hardware.
- f. Remove 2 x 4 and install fan and fan shroud onto vehicle with hardware.

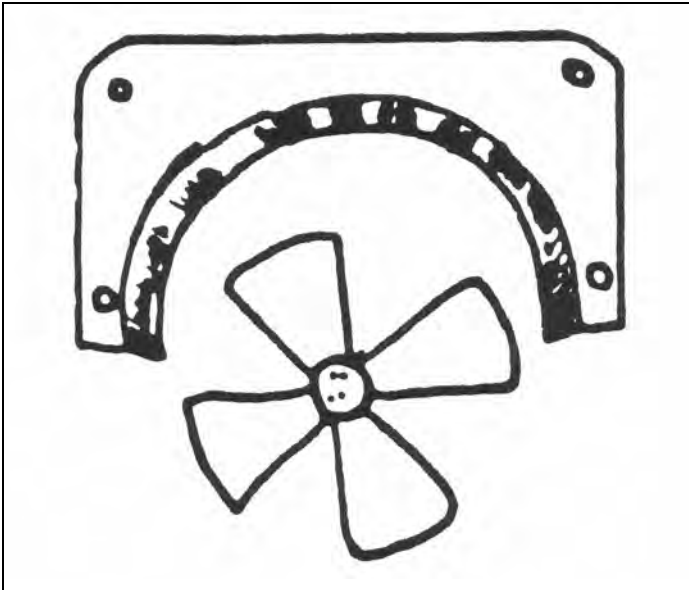
**3. 1980 and newer models: Radiator**

**NOTE**

These vehicles have a structural member beneath radiator preventing radiator to be lowered. Fan will blow off-center, but will not affect engine performance or cooling.

- a. Mark horizontal cut line halfway up on fan shroud.

- b. Cut fan shroud in half.



- c. Install upper half of fan shroud onto vehicle with hardware.
- d. Install sides onto fan shroud with *kit clips*, if necessary.

## Front of Vehicle

1. Front bumper
  - a. Install front bumper onto vehicle with hardware.

## After Completing Installation

### Engine Compartment

1. Connect both battery cables. Connect positive cable first, then negative cable.
2. Install airbag fuse and fuse block cover, if necessary.

### Miscellaneous

1. Apply *kit label* (warning) onto dashboard in plain sight of all vehicle occupants.
2. Check all fasteners to ensure they are tight.
3. Ensure all wires, hoses, cables, etc. are properly connected and there is ample slack.
4. Adjust headlights.

## Dynamic Vehicle Check

1. Check steering in both directions to ensure that there is no bind. Check operation of clutch, brake system, and parking brake. Check operation of transmission and transfer case. Ensure there is full engagement in all gears and 4WD ranges. Check battery connections and electrical component operations. Test-drive vehicle.

### ⚠ WARNING

Retorque all fasteners after 500 miles and after off road use. All body lift components should be visually inspected and fasteners retorqued during routine vehicle servicing.

### ⚠ CAUTION

Performance Automotive Group does not recommend any particular wheel and tire combinations for use with its body lifts and cannot assume responsibility for the customer's choice of wheels and tires. Refer to your owner's manual for recommended tire sizes and warnings related to the use of oversized tires. Larger wheel and tire combinations increase stress and wear on steering and suspension components, which leads to increased maintenance and higher risk for component failure. Larger wheel and tire combinations also alter speedometer calibration, braking effectiveness, center of gravity, and handling characteristics. Consult an experienced local off road shop to find what wheel and tire combinations work best with your vehicle.

### NOTE

All warranty information, instruction sheets, and other documents regarding the installation of this product must be retained by the vehicle owner. Information contained in the instructions and on the warranty card will be required for any warranty claims. The vehicle owner needs to understand the modifications made to the vehicle and how they affect vehicle handling and performance. Failure to provide the customer with this information can result in damage to the vehicle and severe personal injury.



# Kit Parts List

## Kit# 922, 923

Qty.	Description
14	<b>Block</b>
1	<b>Label</b> (logo)
1	<b>Label</b> (warning)
1	<b>Loctite®</b> (6ml bottle)
<b>1</b>	<b>BP922 (Hardware bag, 2" kit)</b>
6	<b>Bolt</b> (7/16"-14 x 4-1/2")
4	<b>Bolt</b> (7/16"-14 x 5-1/2")
2	<b>Bolt</b> (7/16"-14 x 8")
2	<b>Bolt</b> (1/2"-13 x 4")
1	<b>Extension</b> (linkage, 3/8" x 2")
12	<b>Nut</b> (7/16"-14 Nylock)
2	<b>Nut</b> (1/2"-13 Nylock)
24	<b>Washer</b> (7/16" USS)
4	<b>Washer</b> (1/2" USS)
<b>1</b>	<b>BP923 (Hardware bag, 3" kit)</b>
6	<b>Bolt</b> (7/16"-14 x 5-1/2")
4	<b>Bolt</b> (7/16"-14 x 6-1/2")
2	<b>Bolt</b> (7/16"-14 x 9")
2	<b>Bolt</b> (1/2"-13 x 5")
1	<b>Extension</b> (linkage, 3/8" x 3")
12	<b>Nut</b> (7/16"-14 Nylock)
2	<b>Nut</b> (1/2"-13 Nylock)
24	<b>Washer</b> (7/16" USS)
4	<b>Washer</b> (1/2" USS)

## Kit# 902, 903

Qty.	Description
10	<b>Block</b>
1	<b>Label</b> (logo)
1	<b>Label</b> (warning)
1	<b>Loctite®</b> (6ml bottle)
<b>1</b>	<b>BP902 (Hardware bag, 2" kit)</b>
8	<b>Bolt</b> (7/16"-14 x 5")
2	<b>Bolt</b> (1/2"-13 x 5-1/2")
1	<b>Extension</b> (linkage, 3/8" x 2")
8	<b>Nut</b> (7/16"-14 Nylock)
2	<b>Nut</b> (1/2"-13 Nylock)
8	<b>Washer</b> (7/16" USS)
2	<b>Washer</b> (1/2" USS)
<b>1</b>	<b>BP903 (Hardware bag, 3" kit)</b>
8	<b>Bolt</b> (7/16"-14 x 6")
2	<b>Bolt</b> (1/2"-13 x 6-1/2")
1	<b>Extension</b> (linkage, 3/8" x 3")
8	<b>Nut</b> (7/16"-14 Nylock)
2	<b>Nut</b> (1/2"-13 Nylock)
8	<b>Washer</b> (7/16" USS)
2	<b>Washer</b> (1/2" USS)

## Kit# 802, 803

### Qty. Description

8	<b>Block</b>
1	<b>Label</b> (logo)
1	<b>Label</b> (warning)
1	<b>Loctite®</b> (6ml bottle)
<b>1</b>	<b>BP802 (Hardware bag, 2" kit)</b>
4	<b>Bolt</b> (7/16"-14 x 5-1/2")
2	<b>Bolt</b> (7/16"-14 x 6")
2	<b>Bolt</b> (1/2"-13 x 6-1/2")
3	<b>Extension</b> (linkage, 3/8" x 2")
6	<b>Nut</b> (7/16"-14 Nylock)
2	<b>Nut</b> (1/2"-13 Nylock)
8	<b>Washer</b> (3/8" USS)
12	<b>Washer</b> (7/16" USS)
4	<b>Washer</b> (1/2" USS)
<b>1</b>	<b>BP803 (Hardware bag, 3" kit)</b>
4	<b>Bolt</b> (7/16"-14 x 6-1/2")
2	<b>Bolt</b> (7/16"-14 x 7")
2	<b>Bolt</b> (1/2"-13 x 7-1/2")
3	<b>Extension</b> (linkage, 3/8" x 3")
6	<b>Nut</b> (7/16"-14 Nylock)
2	<b>Nut</b> (1/2"-13 Nylock)
8	<b>Washer</b> (3/8" USS)
12	<b>Washer</b> (7/16" USS)
4	<b>Washer</b> (1/2" USS)

'72-'85 Jeep / International 2", 3" Body Lift Kit