

# THIRD BRAKE LIGHT ANTENNA ADAPTER

2014 - 2018 GM TRUCKS



## Introduction

Thank you for your purchase of our vehicle-specific Third Brake Light Antenna Adapter! We hope that you find the installation simple and straightforward. As our customer, your satisfaction is important to us, and for that reason we take pride in all of the products we manufacture to ensure a reliable solution for years to come.

## Pre-Caution

Upon completing the installation of the Third Brake Light Antenna Adapter, the overall height clearance of the vehicle will have changed. Be aware of your surroundings and heed all height restriction warnings as they pertain to your vehicle to avoid damage to the antenna, adapter, or even the vehicle.

## Warranty

At Neal Technologies, Inc. we know that if we don't take care of the customer, someone else will. That is why we strive to make each and every customer experience as wonderful as possible.

With regards to our Third Brake Light Antenna Adapters, we offer a 1-Year Parts Only Warranty.

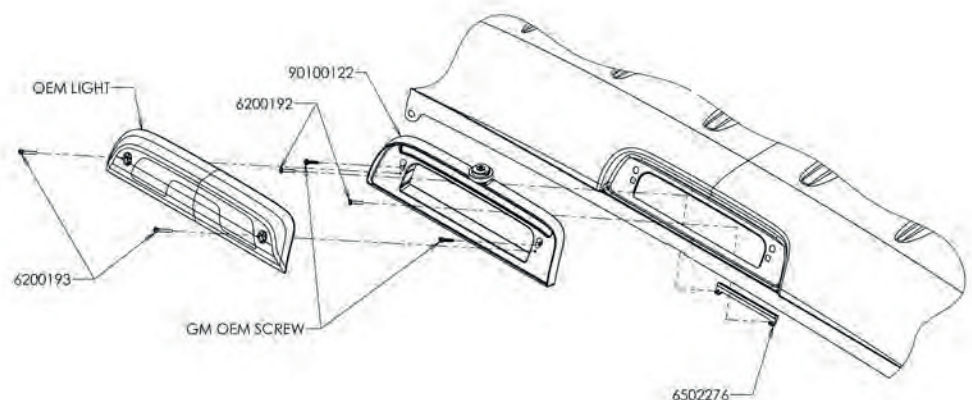
## The limitations include:

- Parts-only, exchange-only warranty.
- Warranty is limited to defects in workmanship and materials.
- Shipping is NOT included with warranty returns.

In the very rare event that you might actually have a warranty claim, we will be more than happy to assist you. Please call before you take action. We want to track and properly handle any warranty claims.

## Tools Needed for Installation:

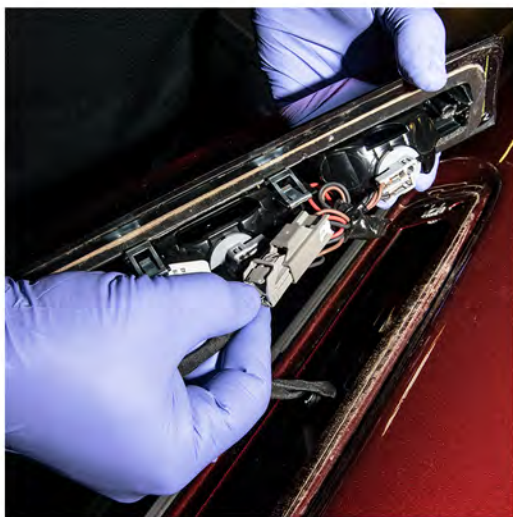
- Phillips Screw Driver
- T20 Torx Driver



ITEM NO.	PART NUMBER	DESCRIPTION	Default/QTY
3	90100122	2014 SILVERADO ANTENNA MOUNT ASSEMBLY	1
4	6502276	2014 SILVERADO ANTENNA MOUNT CLAMP	1
5	6200192	8-32 X 7/8" PAN HEAD PHILLIPS SCREW, 18-8 SS	2
6	6200193	8-32 X 1-1/2" PAN HEAD PHILLIPS SCREW, 18-8 SS	2
7	GM OEM SCREW	PAN HEAD SELF TAPPING SCREW	2



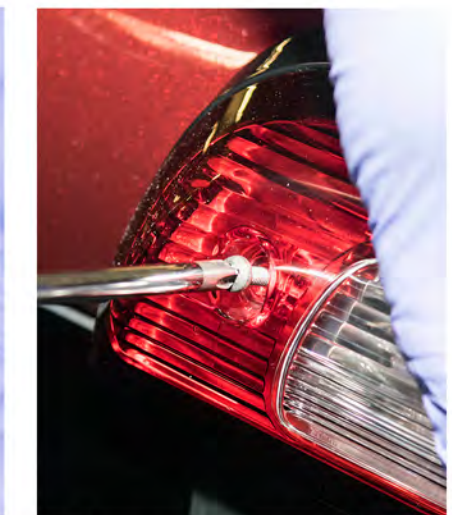
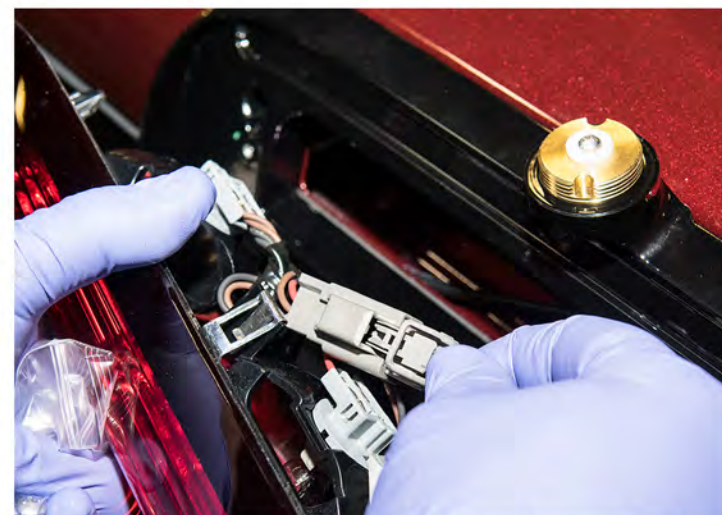
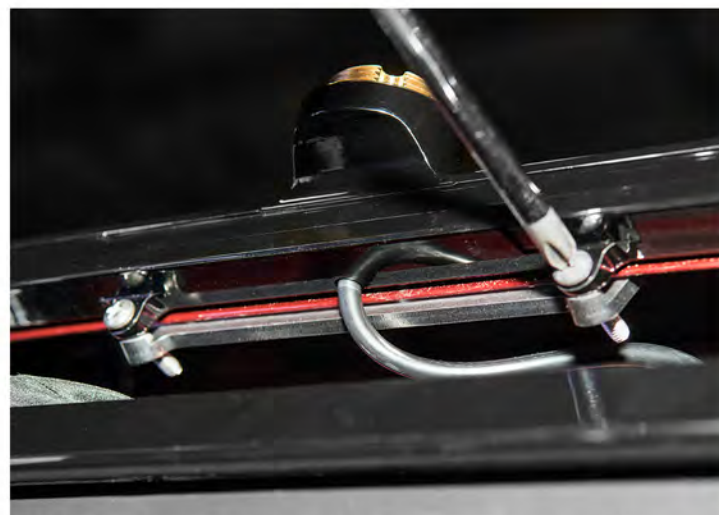
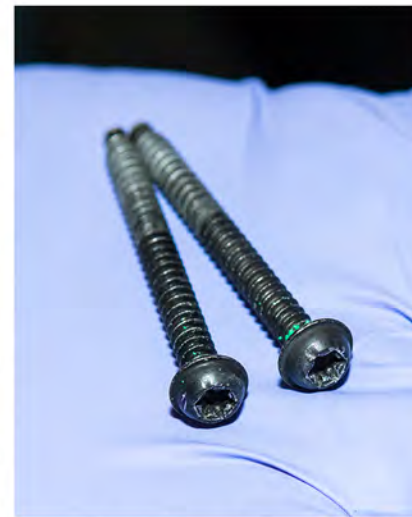
Using the T20 Torx Driver, remove the two screws holding the brake light housing in place and pull the brake light away from the cab.



Disconnect the wiring harness and set the brake light housing aside.



Route the cable into the cab following the brake light harness. Seat the adapter as shown. Use the two OEM T20 screws to secure the antenna adapter to the cab using the factory holes.



Tighten the screws on the antenna mount clamp until they are snug. Reconnect the wiring harness and guide the pin from the brake light housing into the machined holes of the antenna mount. Use the supplied screws to secure the OEM brake light housing to the antenna adapter.