

# THIRD BRAKE LIGHT ANTENNA ADAPTER

1999-2016 Super Duty



## Introduction

Thank you for your purchase of our vehicle specific Third Brake Light Antenna Adapter! We hope that you find the installation simple and straightforward. As our customer, your satisfaction is important to us, and for that reason we take pride in all of the products that we design and manufacture to ensure a reliable solution for years to come!

## Pre-caution

Upon completing the installation of the Third Brake Light Antenna Adapter the overall height clearance of the vehicle will have changed. Beware of your surroundings and heed all height restriction warnings as they pertain to your vehicle to avoid damage to the antenna, adapter or even vehicle.

## Warranty

At Neal Technologies, Inc we know that if we don't take care of the customer, someone else will. That is why we strive to make each and every customer experience as wonderful as possible.

With regards to our Third Brake Light Antenna Adapters, we offer a 1-Year Parts-Only Warranty.

The limitations include:

- Parts-only, exchange-only warranty.
- Warranty is limited to defects in workmanship and materials.
- Shipping is NOT included with warranty returns.

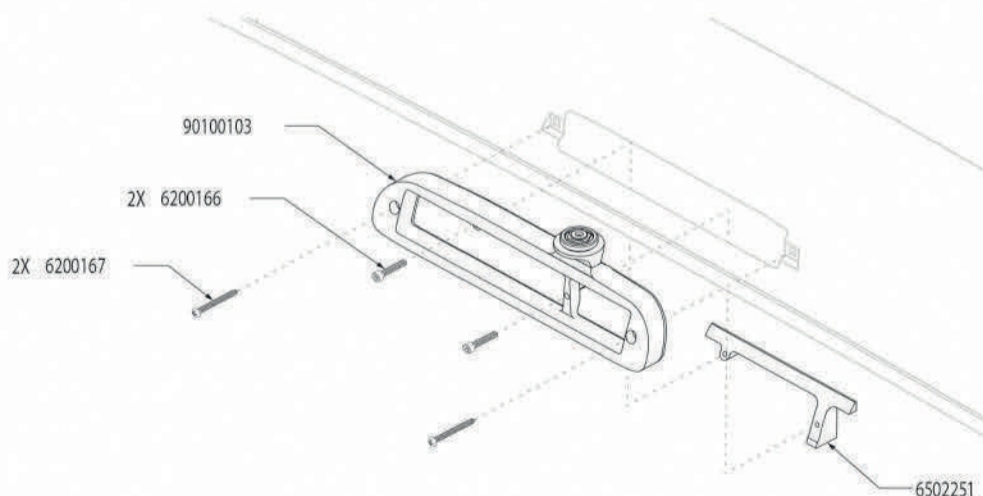
In the very rare event that you might actually have a warranty claim, we will be more than happy to assist you. Please call before you take action.

## Tools Needed for Installation

- Phillips Screwdriver
- 5/32" Allen Wrench

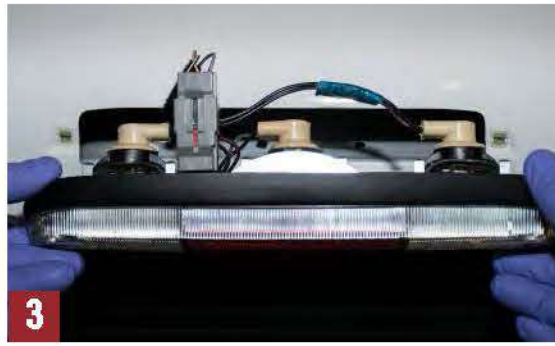


## Parts List - 90201131



Part #	Description	Qty.
90100103	1999-2016 Super Duty Antenna Mount Assembly	1
6502251	1999-2016 Super Duty Antenna Mount Support Bracket	1
6200166	#10-24 x 1" Socket Head Cap Screw, 18-8 SS	2
6200167	#8 x 1 3/4" Pan Head Screw, 18-8 SS	2

REMOVE LIGHT



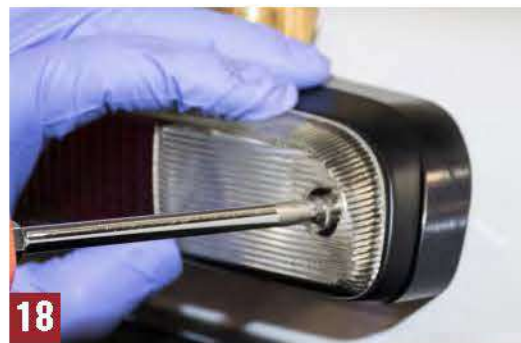
**Fig. 2-3** Using a phillips screwdriver, remove the two (2) screws holding the light housing in place and pull away from the cab. **Fig. 4-5** Disconnect the light housing by rotating the bulbs counter-clockwise, then pull straight out to remove from the light housing. Next, release the entire harness from anchor point on the housing by pulling back on the retaining clip below the power connectors, then slide away from the housing. NOTE: The power connectors remain connected to each other. Place the removed light housing in a safe location to be re-installed later.

INSTALL ADAPTER



**Fig. 6** Route the antenna cable into the cab following the brake light harness. From inside the cab, access the cable and route to final desired location. **Fig. 7** Route the bulbs and harness through the middle of the antenna adapter. **Fig. 8-10** To attach the antenna adapter, hook the top of the cab opening between the support bracket and antenna adapter, then rotate the bottom of the adapter into position. **Fig. 11-12** Using the factory installation screws, temporarily attach the adapter utilizing the factory mounting holes. Using the 5/32" allen wrench, tighten the two (2) support screws to sandwich the cab between the bracket and the adapter. **Fig. 13-14** Remove the factory installation screws.

RE-INSTALL LIGHT



**Fig. 16** Route passenger side cab light bulb behind the support bracket and back through the antenna adapter opening. **Fig. 17-18** Attach the bulbs to the light housing starting with the passenger side, then middle brake light bulb and finally the driver side. NOTE: The power connectors **WILL NOT** be re-attached to the anchor point on the light housing. Route the harness and back of the light housing to avoid interference with the antenna cable as it is positioned back in place. **Fig. 19** Re-install the light housing utilizing the provided hardware. With the 3rd Brake Light Antenna Adapter installed, attach desired compatible antenna with NMO standard threaded antenna connector and fasten the PL-259 male UHF connector to preferred 2-way radio.