



**Cargo Cover Extension**  
Installation Instructions  
For: Jeep Wrangler JK Unlimited  
2007 to current  
**Part Number: 41428**  
For use with 41829 Cargo Cover



**DO NOT INSTALL THIS PRODUCT ON ANY VEHICLE OTHER THAN THOSE LISTED ABOVE.**  
This product is only designed for the vehicles listed above. Failure to install this product on the proper vehicle could cause injury to the vehicle occupants and damage to the product.

**Installation Tips**

Before you begin installing this assembly, read all instructions thoroughly.

**For a smooth fit:**

For ease in installation, the product should be installed at temperatures above 72° F. Below this temperature, the fabric may contract an inch or more, making it difficult to fit to the vehicle. It is normal for fabric to contract and wrinkle when stored in the shipping carton. Within a few days after the installation, the fabric will relax and the wrinkles will disappear.



**WARNING**

This product is designed to enhance the appearance of the vehicle. Do not rely in any way on the components of this product to contain occupants within the vehicle, or to protect against injury or death in the event of an accident. Never operate vehicle in excess of manufacturer's specifications.

**WEAR SEAT BELTS AT ALL TIMES**

Read and follow, precisely, all installation instructions provided when installing this product. Failure to do so could place occupants of the vehicle in a potentially dangerous situation. After installing or reinstalling, check to make sure it has been properly installed.

## Parts List

Cargo Cover Extension	Qty - 1
Acorn Locknut, Part Number 427.11	Qty - 3
Snap Head Screw, Part Number 200.49	Qty - 3

## Tools Needed

Phillips Screwdriver    Safety Glasses  
Chalk

## Step One

### INSTALL CARGO COVER

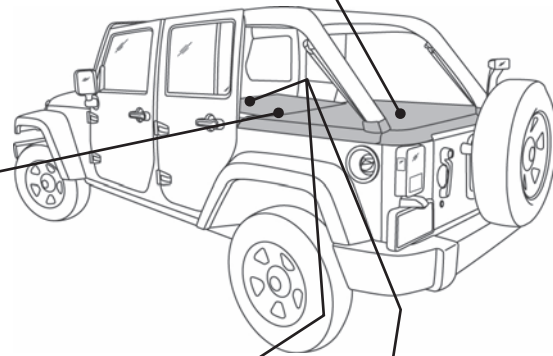
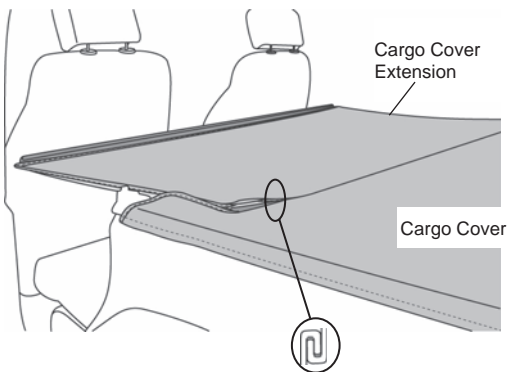
Make sure your Cargo Cover is installed on the vehicle and the seat belts are tucked into the collars.

Fold down the rear seat and slide the front seats all the way forward.

## Step Two

### INSTALL EXTENSION ON CARGO COVER

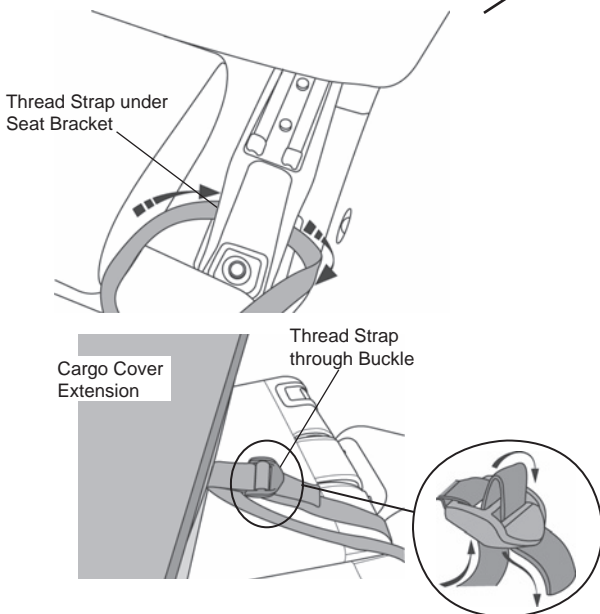
Orient the Cargo Cover Extension with the straps toward the front. Slide the plastic hook on the rear of the Extension onto the plastic hook on the front of the Cargo Cover, centering the Extension.



## Step Three

### SECURE CENTER STRAPS

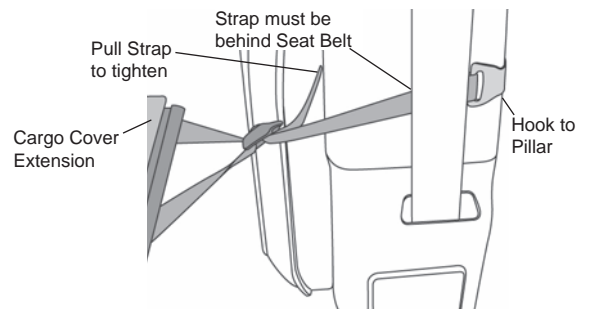
Locate the two (2) long straps in the center of the Cargo Cover Extension. Wrap them under the seat brackets. Thread the end of each strap through the buckle and tighten.



## Step Four

### INSTALL SIDE STRAPS

Locate the outside straps, one (1) on each front corner of the Cargo Cover Extension. Slip each strap between the seat belt and the front pillar. Hook the end of the strap to the front pillar so that the hook is level with the Cargo Cover Extension. Pull the end of the strap to tighten.

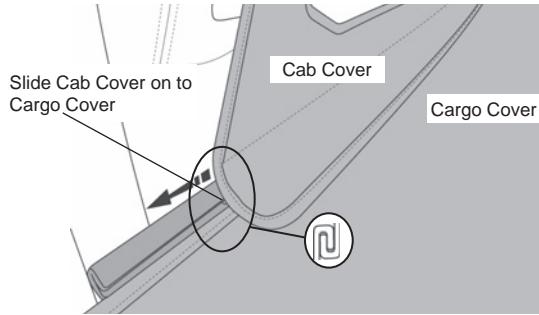


## Step Five – Optional

### INSTALL CAB COVER

If you wish to install a Cab Cover on your vehicle, slide the plastic hook inside the bottom of the Cab Cover onto the plastic hook along the front of the Cargo Cover Extension.

Center the Cab Cover and fasten the webbing straps.



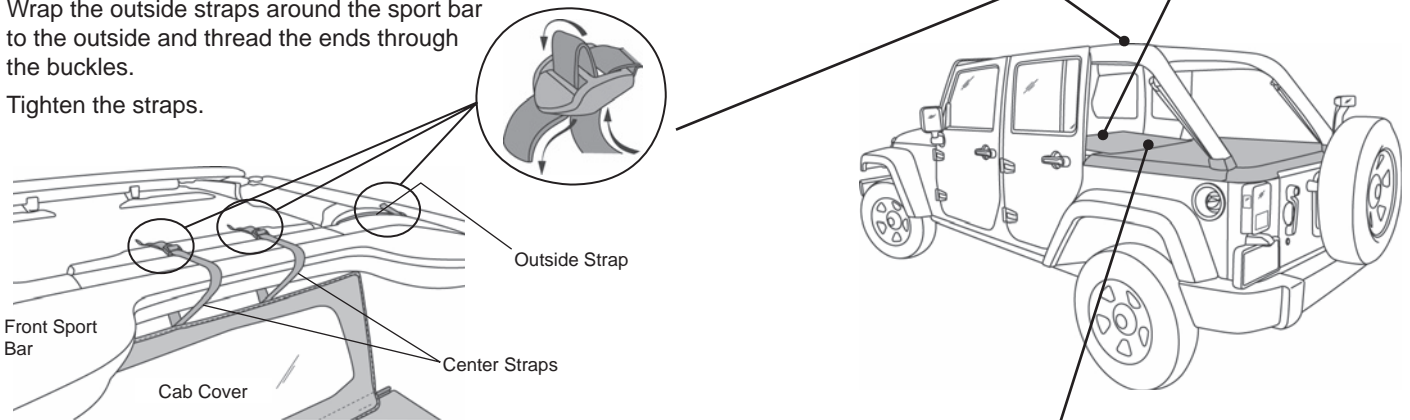
## Step Six – Optional

### SECURE CAB COVER STRAPS

Start with the center straps and thread the end of each strap around the sport bar and through each buckle. Loosely tighten each strap to hold the Cab Cover in position.

Wrap the outside straps around the sport bar to the outside and thread the ends through the buckles.

Tighten the straps.



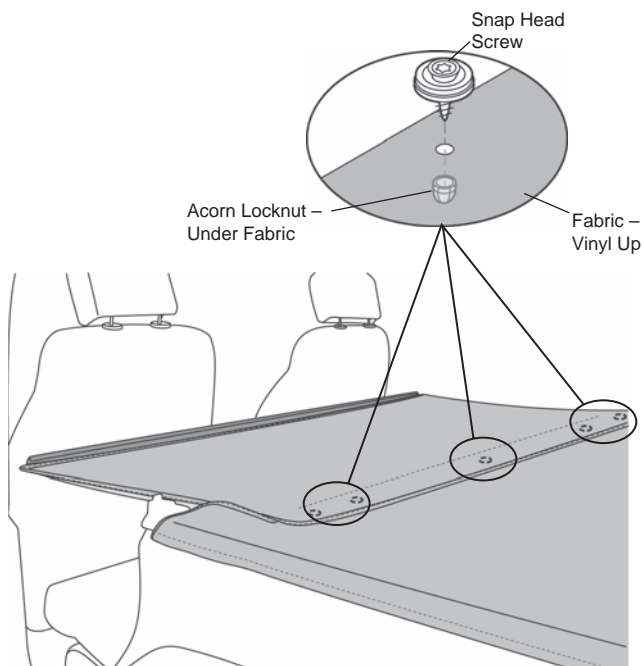
## Step Seven – Optional

### INSTALL SNAPS TO SECURE CARGO COVER EXTENSION TO CARGO COVER

Pull the flap on the rear of the Cargo Cover Extension out over the top of the front edge of the Cargo Cover.

Rub chalk on the snaps on the Cargo Cover Extension flap. Pull up on the front reinforced edge of the Cargo Cover and press the snaps against the Cargo Cover to mark the locations.

At the marked locations, push the sharp end of a Snap Head Screw through through both layers of fabric, to make a hole. Then push the screw through the hole from the vinyl side so that the snap is on top of the vinyl. Install an Acorn Locknut over the pointed end of the Snap Head Screw.



## Care and Maintenance of your New Cargo Cover

Your Cargo Cover is made of the finest materials available. To keep it looking new and for the maximum possible wear, it will need periodic cleaning and maintenance.

**Washing:** The fabric should be washed often using soap, warm water and a soft bristle brush. Rinse with clear water to remove all traces of soap.

**Water:** Seeping through at the seams may be stopped by applying 3-M Scotchgard® on the inside of the seams. Rips in the fabric may be repaired with Bondex® iron on patches. Iron the patches to the Inside of the top, carefully following the Bondex® instructions.

---

### LIMITED WARRANTY

We warrant our product to be free from defects in material and workmanship, for terms specified below, provided there has been normal use and proper maintenance. This warranty applies to the original purchaser only. All remedies under this warranty are limited to the repair or replacement of any item or items found by the factory to be defective within the time period specified.

If you have a warranty claim, first you must call our factory at the number below for instructions. You must retain proof of purchase and submit a copy with any items returned for warranty work. Upon completion of warranty work, if any, we will return the repaired or replaced item or items to you freight prepaid. Damage to our products caused by accidents, fire, vandalism, negligence, misinstallation, misuse, Acts of God, or by defective parts not manufactured by us, is not covered under this warranty.

THE WARRANTY TIME PERIOD IS AS FOLLOWS: ALL "GOODS" MANUFACTURED BY OUR COMPANY: ONE YEAR FROM DATE OF PURCHASE.

ANY IMPLIED WARRANTIES OF MERCHANTABILITY AND/OR FITNESS FOR A PARTICULAR PURPOSE CREATED HEREBY ARE LIMITED IN DURATION TO THE SAME DURATION AND SCOPE AS THE EXPRESS WRITTEN WARRANTY. OUR COMPANY SHALL NOT BE LIABLE FOR ANY INCIDENTAL OR CONSEQUENTIAL DAMAGE.