



Sprint Top
 Installation Instructions
 For: Jeep Wrangler JK 2 Door
 2007 – 2009
 Part Number: 56844



Installation Tips

For a smooth fit:

For easier installation, the top should be installed at a temperature above 72° F. Below this temperature, the fabric may contract an inch or more, making it difficult to fit the vehicle.

It is normal for the fabric to contract and wrinkle when stored in the shipping carton. Within a few days after installation, the fabric will relax and the wrinkles will disappear.

	WARNING
<p>This product is designed to enhance the appearance of the vehicle. Do not rely in any way on the components of this product to contain occupants within the vehicle, or to protect against injury or death in the event of an accident. Never operate vehicle in excess of manufacturer's specifications.</p>	
WEAR SEAT BELTS AT ALL TIMES	
<p>Read and follow, precisely, all installation instructions provided when installing this product. Failure to do so could place occupants of the vehicle in a potentially dangerous situation. After installing or reinstalling, check to make sure it has been properly installed.</p>	

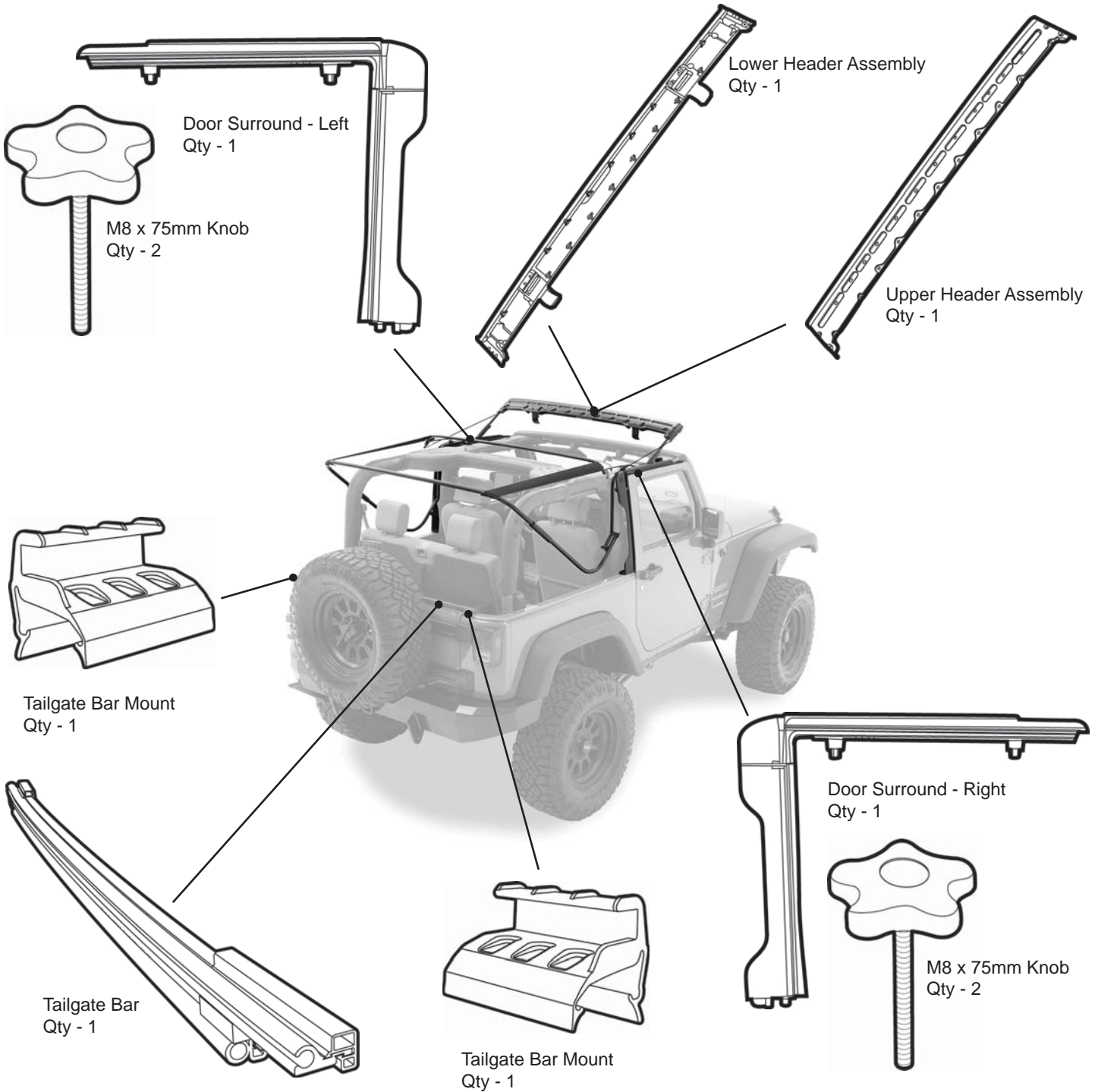
Table of Contents	
SPRINT TOP PARTS LIST	PAGE 3
SOFT TOP REMOVAL	PAGE 4
SPRINT TOP INSTALLATION	PAGE 8
SPRINT TOP WARRANTY	PAGE 27

	CAUTION	Safety glasses should be worn at all times while installing this product.
--	----------------	---

- | |
|---|
| Tools Needed |
| <ul style="list-style-type: none"> Safety Glasses Phillips Screwdriver Masking Tape T25 & T30 Torx 3/8" Wrench |

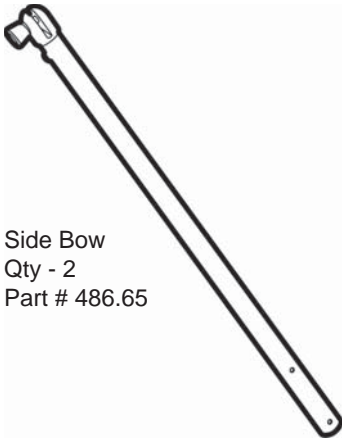


**!STOP! Do not proceed unless you have a
Factory Original Soft Top already installed.
You will need these parts to complete the Sprint Top installation
These Parts Are Not Included**



If you do not have these parts, they are available for purchase separately from an authorized Mopar dealer.

Parts List - These Parts Are Included



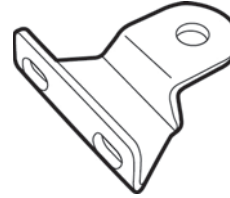
Side Bow
Qty - 2
Part # 486.65



Foam Tape Strips
Qty - 2
Part # 417.43



#10-32 x1/2" Screw
Qty - 4
Part # 316.82



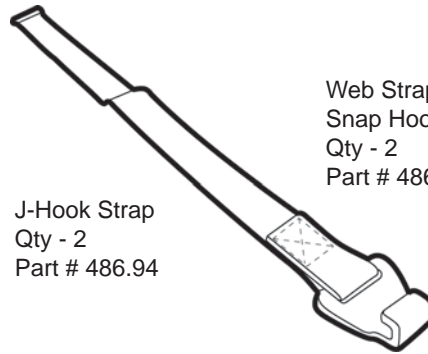
Quick Release Bracket
Qty - 2
Part Number 486.16



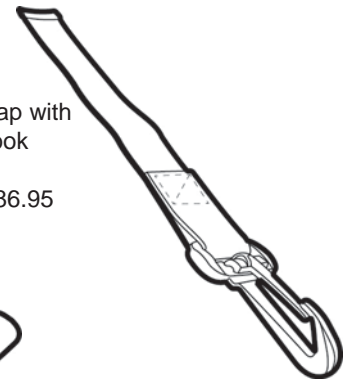
#10-32 Lock Nut
Qty - 4
Part # 316.94



Rear Bow
Qty - 1
Part # 486.86



J-Hook Strap
Qty - 2
Part # 486.94



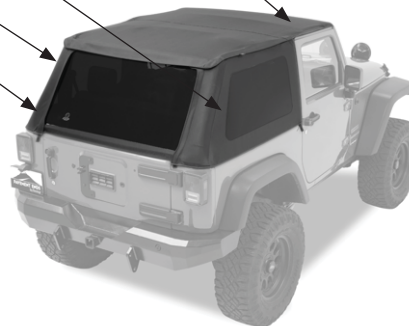
Web Strap with
Snap Hook
Qty - 2
Part # 486.95

Deck, Header Assembly, & Fabric Top

Right Side Window

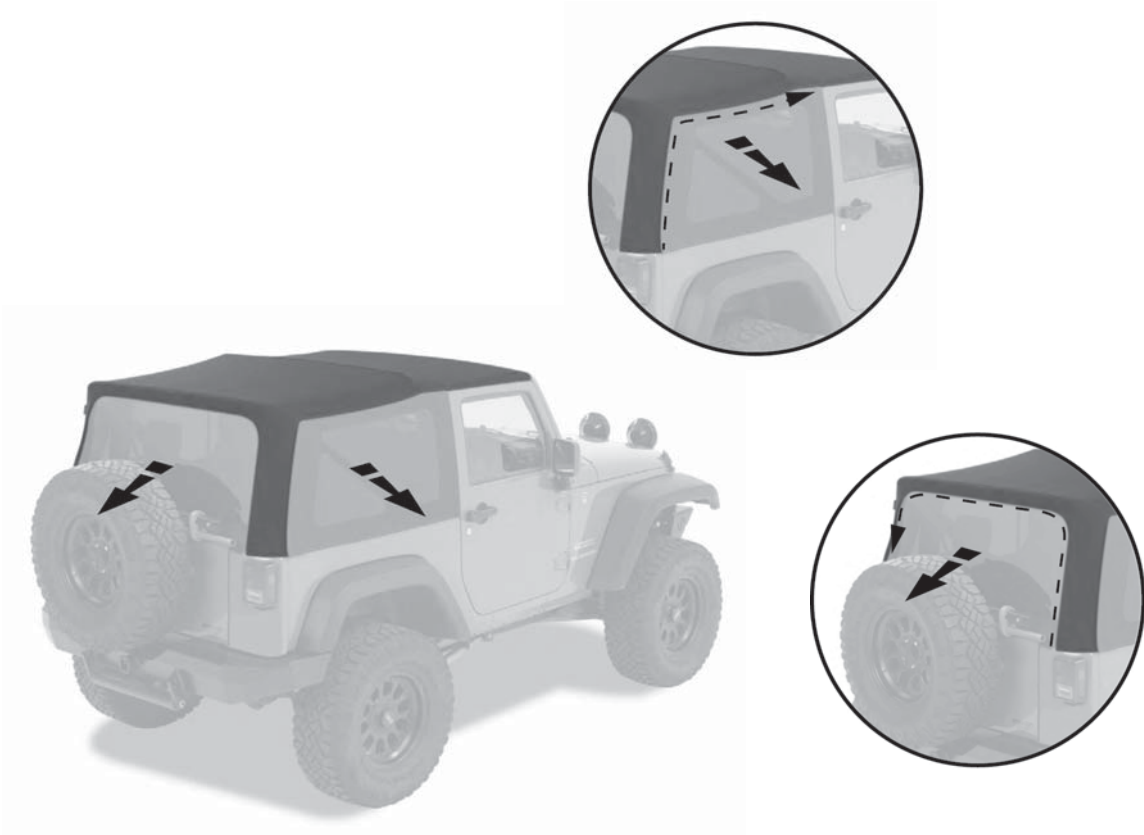
Left Side Window

Rear Window



Section 1

Remove Side and Rear Windows

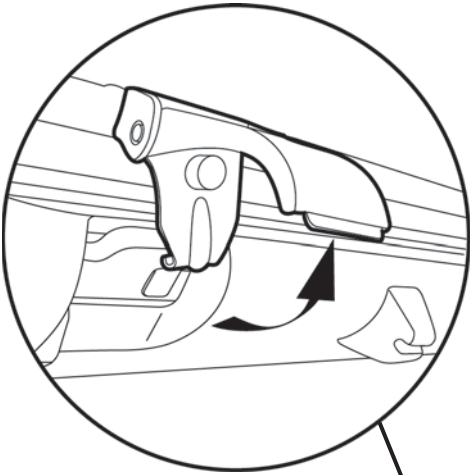


Step One

Remove Side Windows and Rear Window.

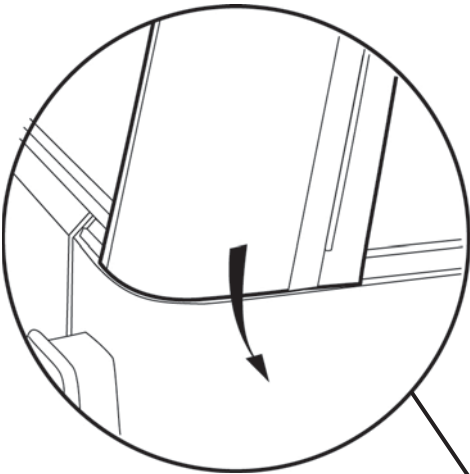


Section 2 Remove Fabric and Side Bows from Header



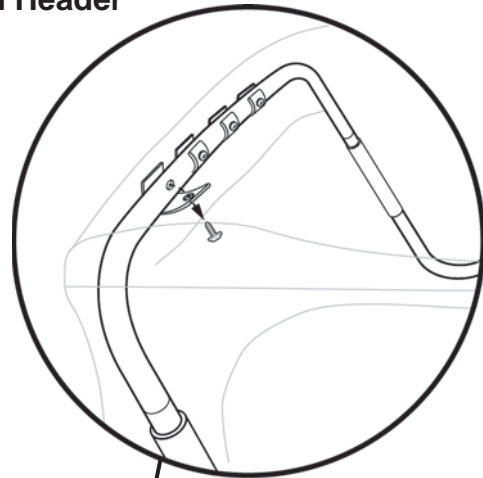
Step One

Release Windshield Latches. Release the latch that secures the header to the windshield. Pull up on the lever and then down and out to release the hook from the loop in the windshield frame



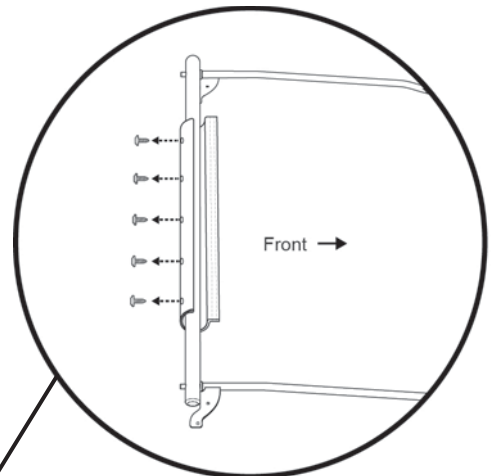
Step Two

Release the rear corners of the top. Pull gently down and then out to release the plastic strip from the retainer on the vehicle.



Step Three

Use a phillips screwdriver to remove the four (4) screws that attach the flaps in the top to the Rear Bow. Allow the bow to drop onto the tailgate. **Set the screws aside to be reused later.**

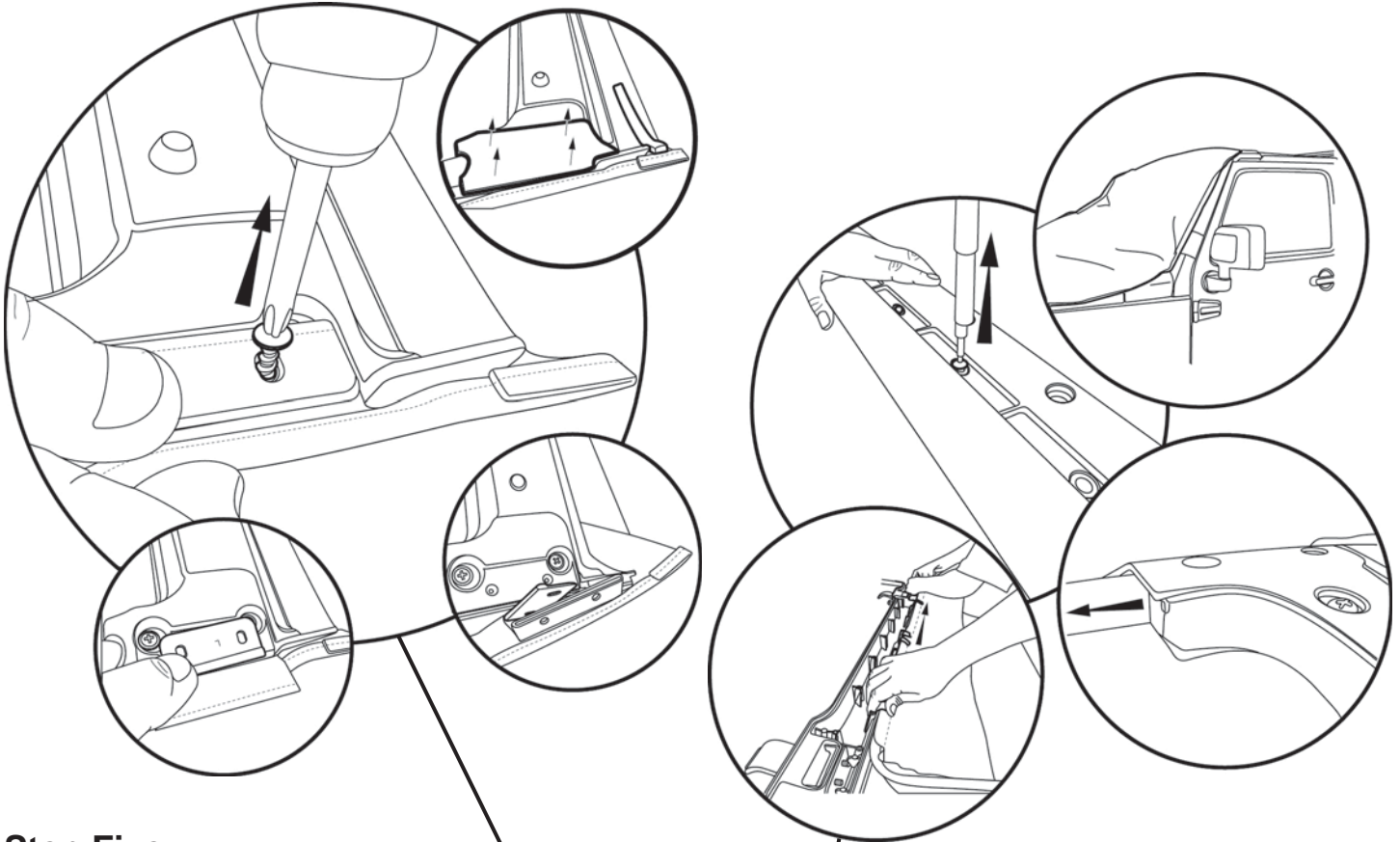


Step Four

Use a phillips screwdriver to remove the five (5) screws that attach the flap in the top to the Center Bow. **Set the screws aside to be reused later.**



Section 2 Remove Fabric and Side Bows from Header (cont.)



Step Five

Fold the bow assembly down onto the tailgate to access the header. Remove the Foam Seals. Use a phillips screwdriver to remove the two screws that secure the fabric to the header.

Set the screws aside to be reused later.

Step Six

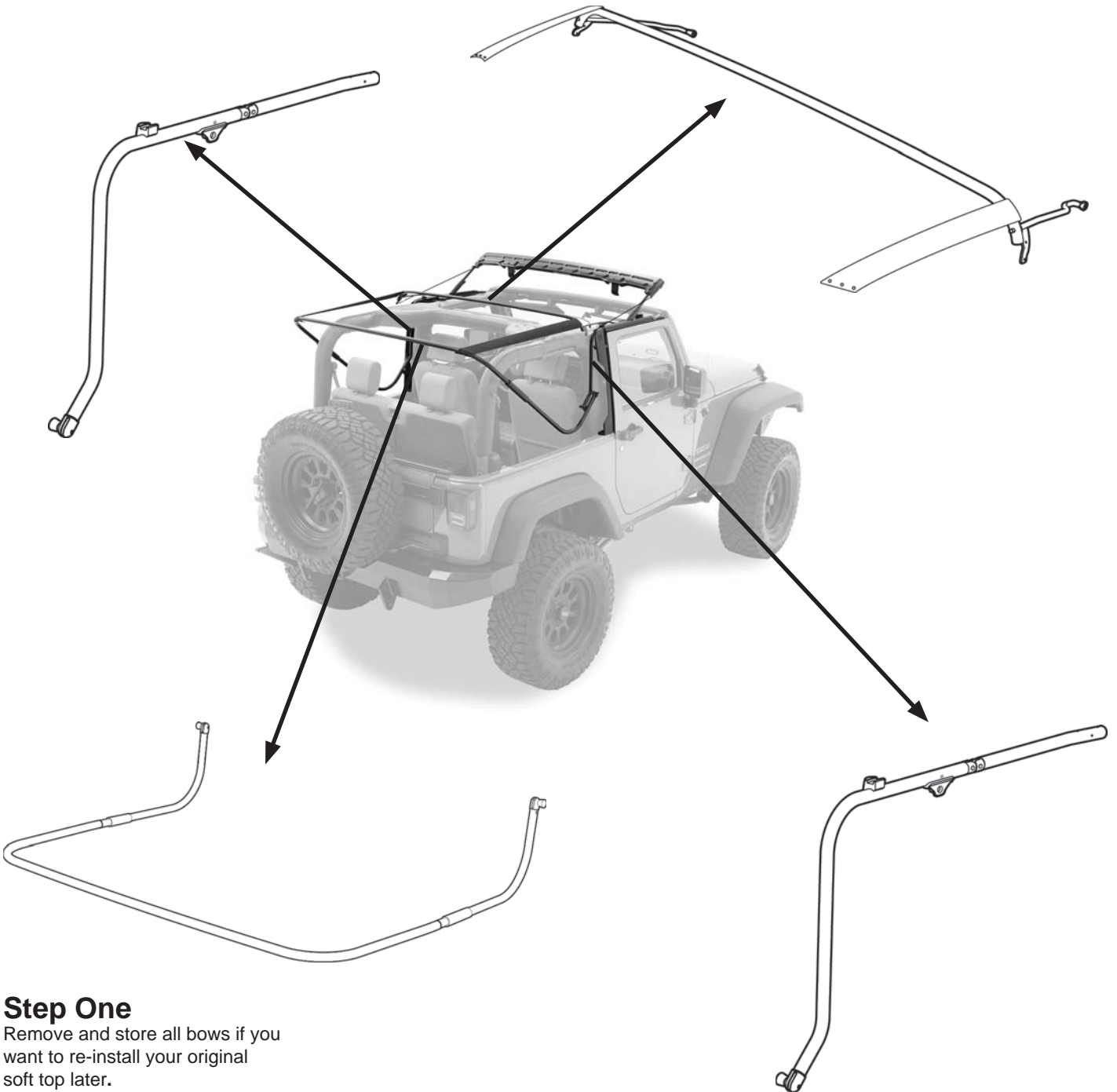
Raise the bow assembly and lock the header to the windshield.

Drape the top fabric, backing side up, over the hood and windshield. Remove all screws that secure the fabric to the upper and lower headers. **Set the screws aside for use in installing the new top.**

Remove the fabric along the front edge of the top out of the channel in the lower header and remove the old top from the vehicle.



Section 3 Remove and Store All Bows



Step One

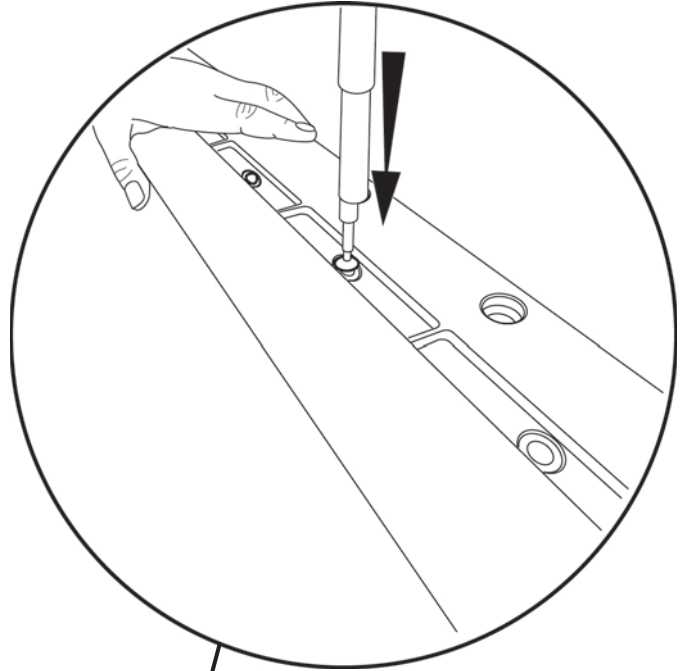
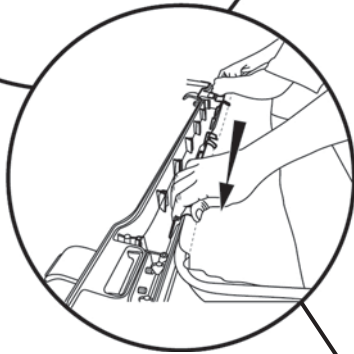
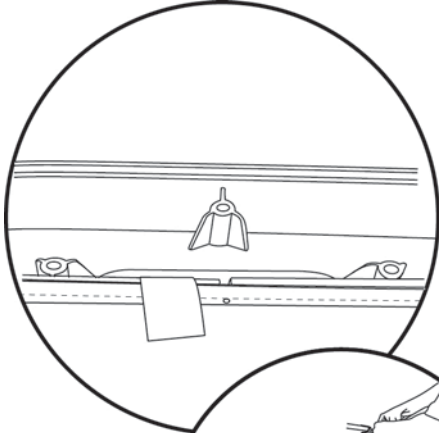
Remove and store all bows if you want to re-install your original soft top later.

Section 4 Install Sprint Top Fabric on Header

Step Two

Install the extrusion along the front of the fabric into the header channel.

Center the fabric and use masking tape to hold it in position.



Step One

Lay the Lower Header on the ground and position the Sprint Top fabric in the same position as the original top that was removed.

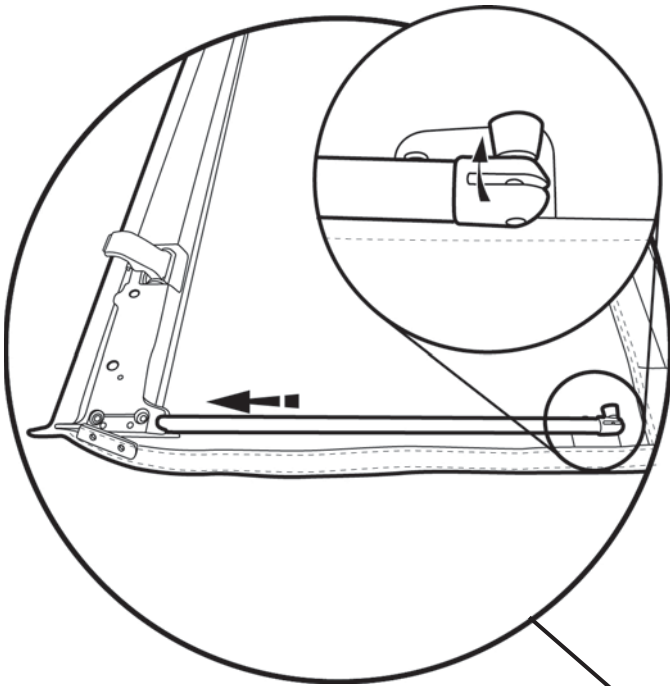
Step Three

Place the Upper Header onto the Lower Header assembly and reinstall the screws removed in section 2.



Section 5

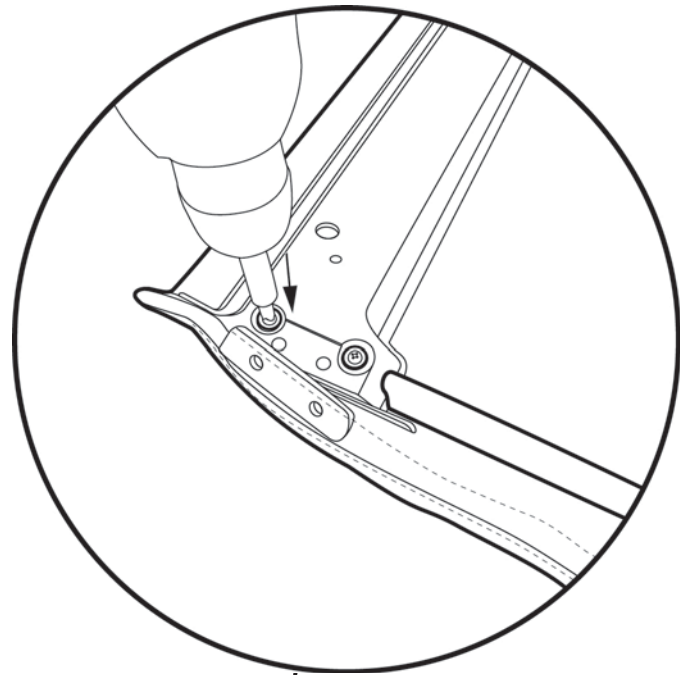
Attach Side Bows to Header/Fabric Assembly



Step One

Insert Side Bows into Header Assembly on each side.

Pivot quick release knobs to face toward inside of assembly.



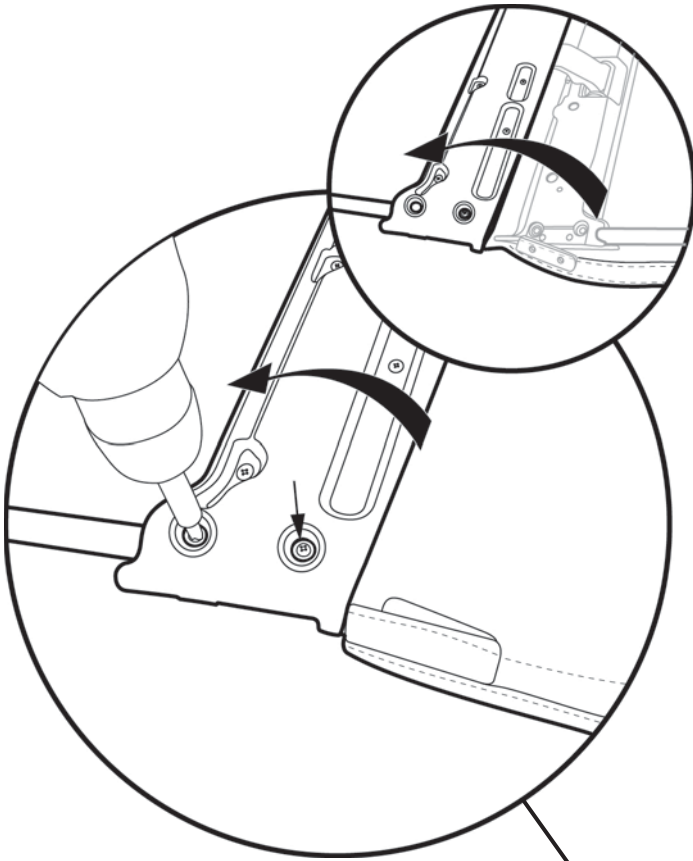
Step Two

Re-use the original #8 x 1/2" Screws removed in section 2 to mount a Side Bow to each side of the Header Assembly.



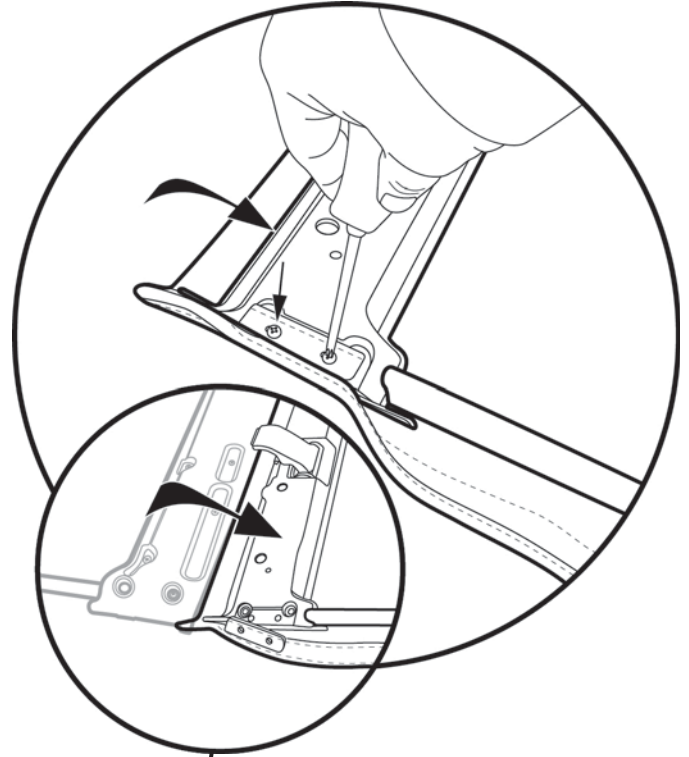
Section 5

Attach Side Bows to Header/Fabric Assembly (cont.)



Step Three

Rotate the Header Assembly and re-use the original #8 x 1/2" Screws removed in section 2 to complete the side bow install.

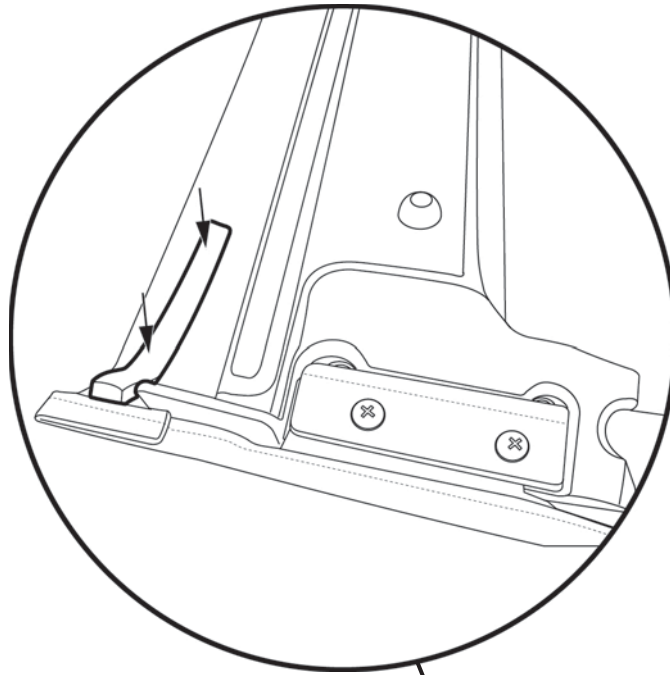


Step Four

Rotate the Header Assembly back into position and re-use the screws removed in section 2.



Section 6 Install Foam Tape Strips and Foam Seals



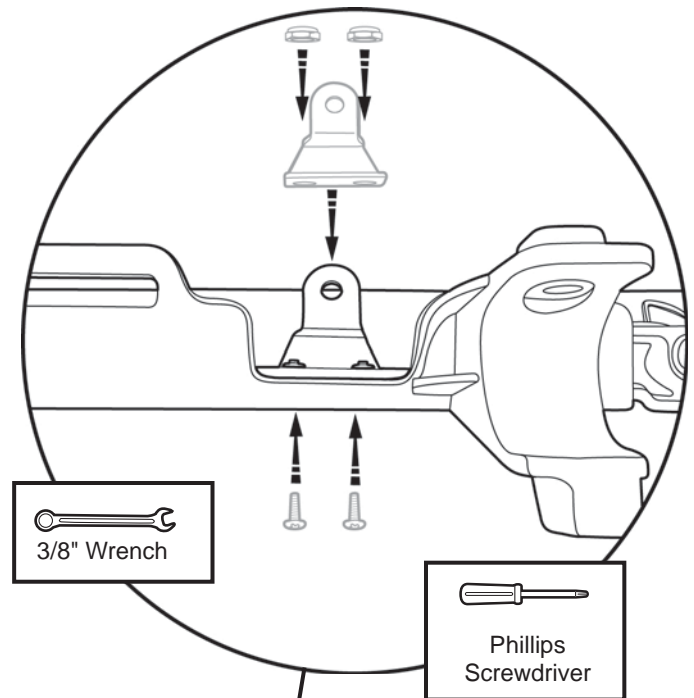
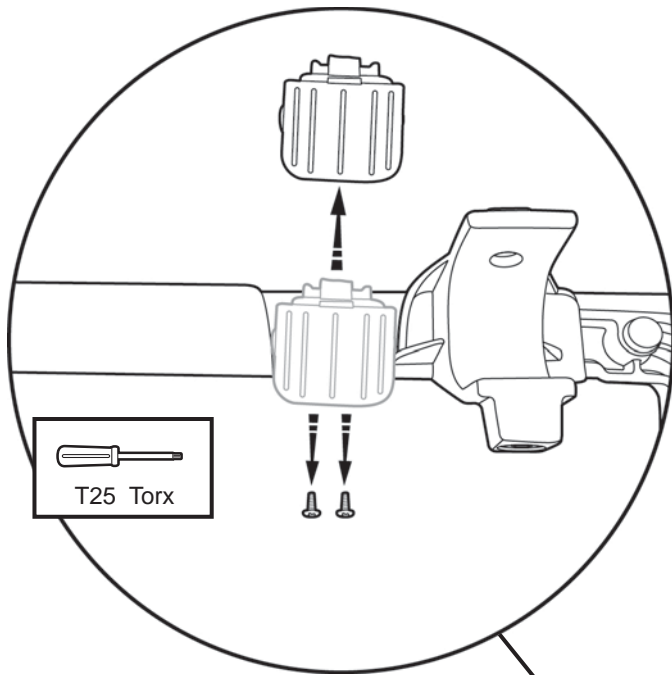
Step One

Peel the backing off the Foam Tape Strips and install them on each side of the Header.



Section 7

Replace Latch with Quick Release Bracket on Door Surround



Step One

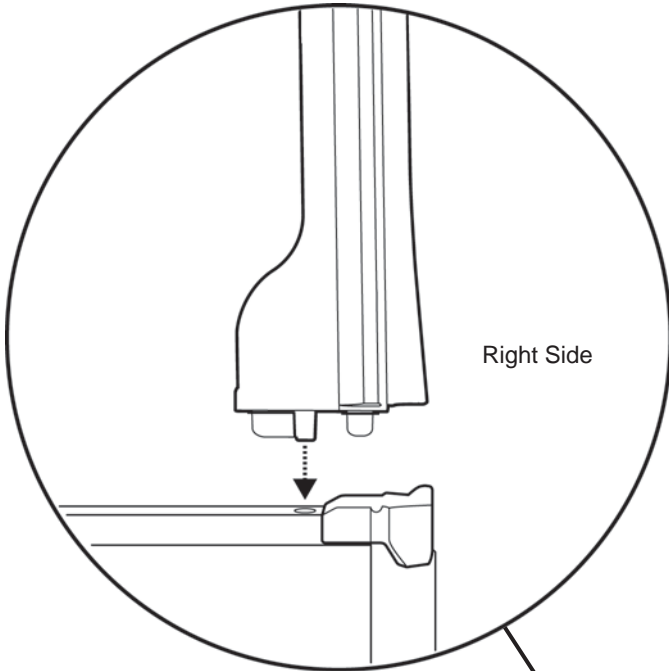
Use a T25 Torx to remove the latch from the Door Surround.

Step Two

Use a #2 phillips screwdriver and 3/8" wrench to install the Quick Release Bracket 486.16.

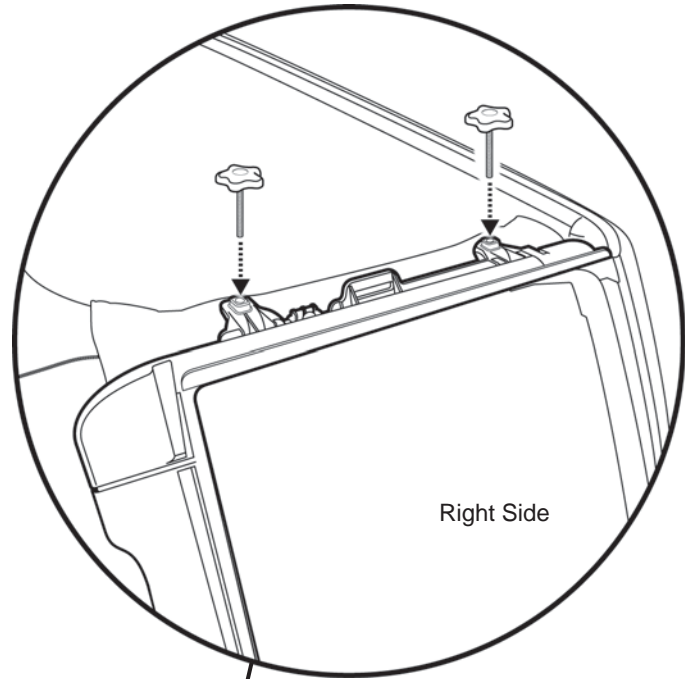


Section 8 Install Door Surround



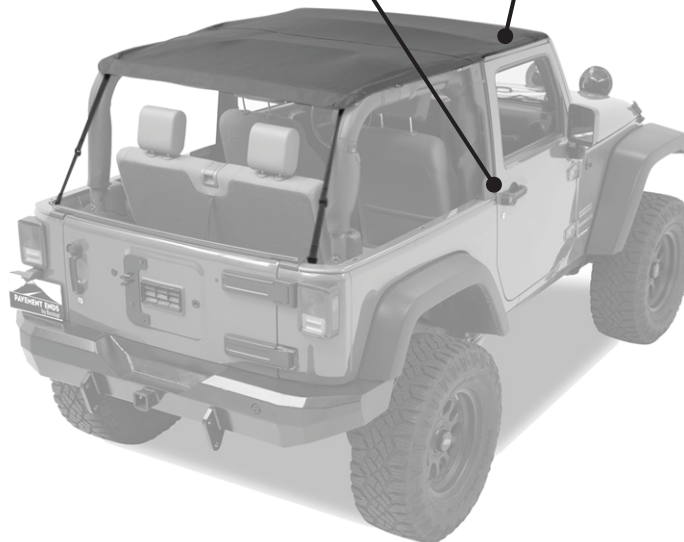
Step One

Insert the pin in the bottom of the Door Surround into the hole in the belt rail behind the door.



Step Two

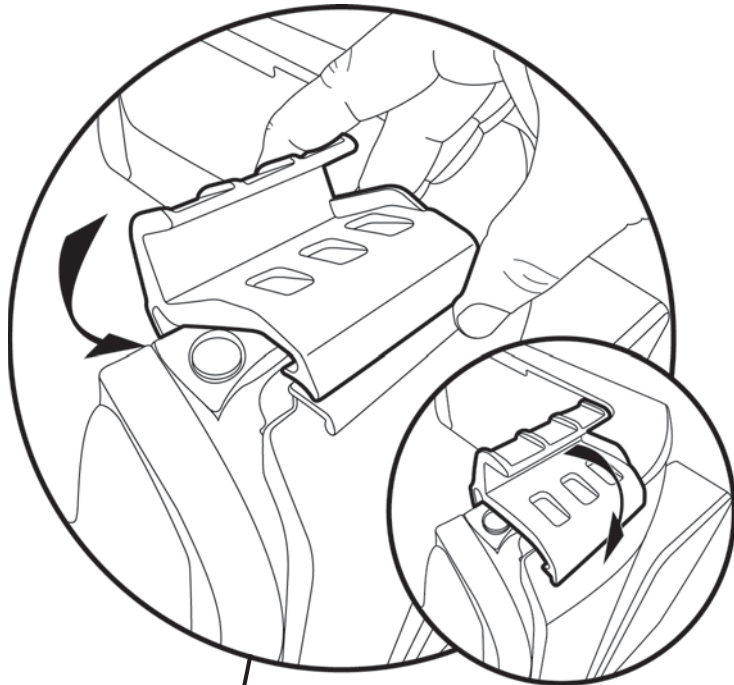
Press the channels along the top of the Door Surround around the horizontal sport bar, above the door opening. Insert two Knobs into the Door Surround and tighten them down.



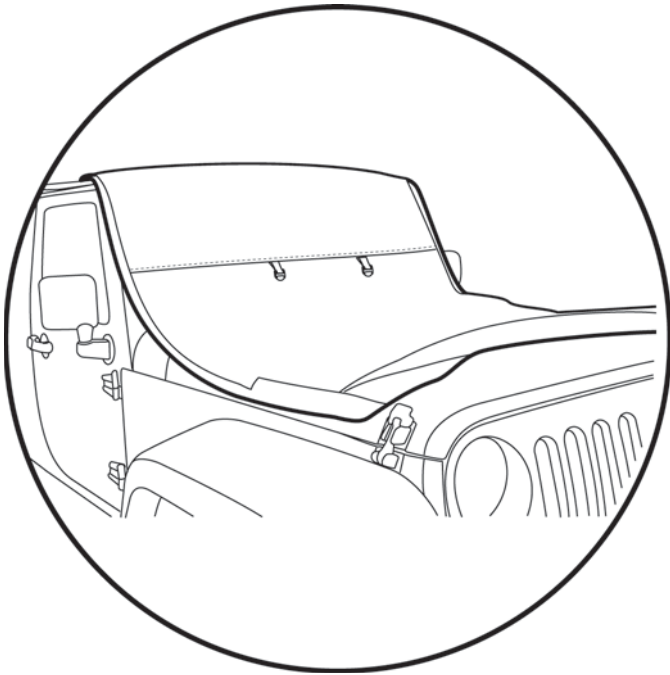
Section 9 Install Tailgate Bar Mounts

Step One

Orient the Tailgate Bar Mounts on the vehicle. Hook the bottom of one mount under the ledge and roll the mount toward the outside of the vehicle until it clips into place under the belt rail. Repeat this with both Tailgate Bar Mounts.

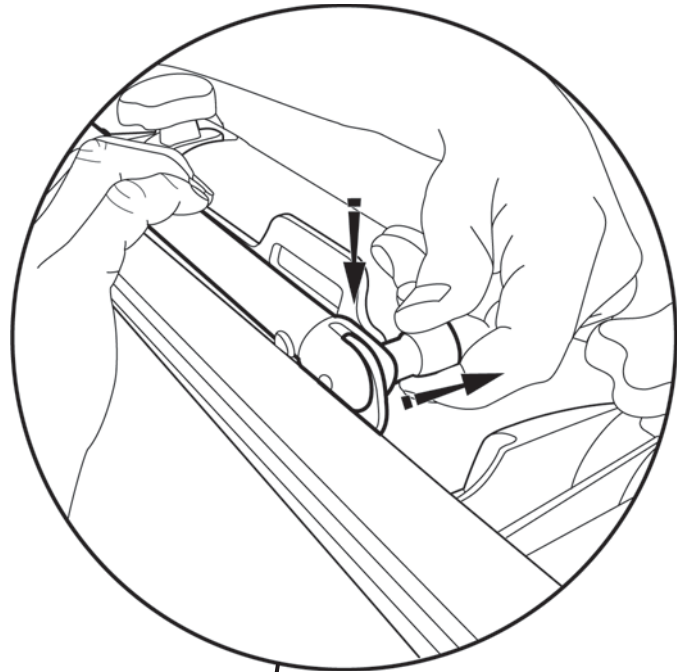


Section 10 Mount Header Assembly to Quick Release Bracket



Step One

Fold the Top Fabric toward the front of the Header. Place the Header Assembly on vehicle, with the backing up and the Side Bows on top of the Door Surrounds.

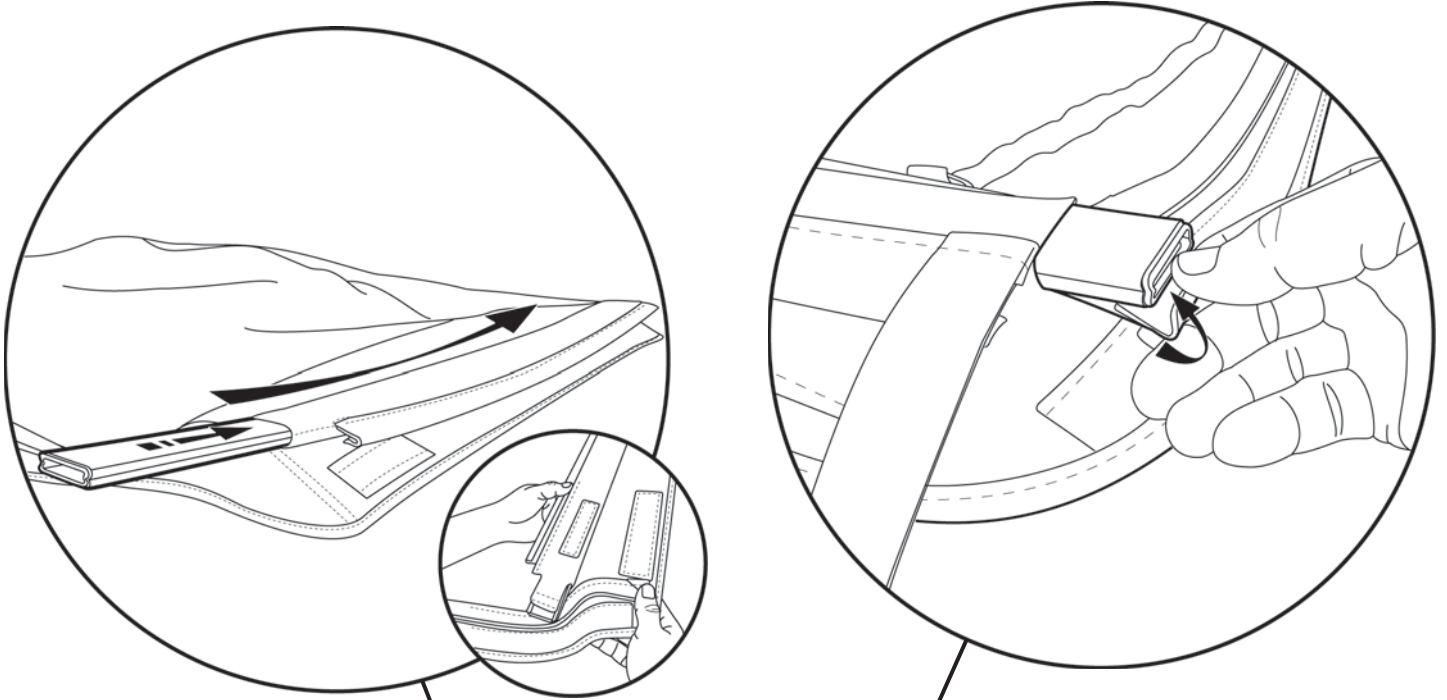


Step Two

Pull back on the Quick Release Knob on the Side Bow and secure to the Quick Release Bracket on both sides of the vehicle. The spring pin should install all the way into the pivot when complete.



Section 11 Install Rear Bow

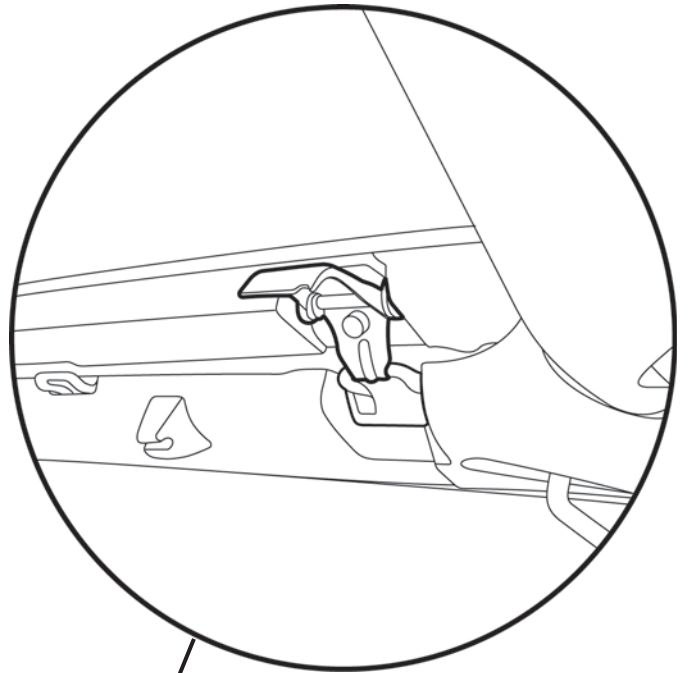
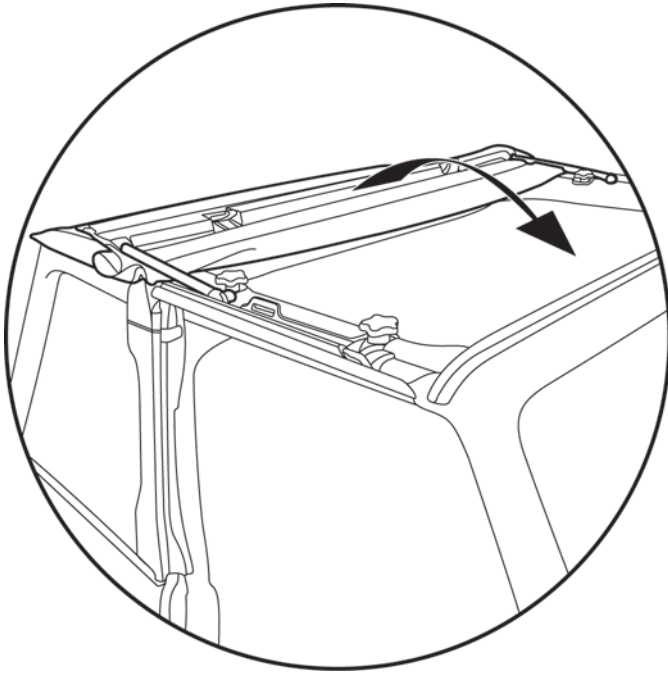


Step One

Slide the Rear Bow into the pocket inside the rear of the Top Fabric. Secure the J-Hooks on the rear bow flaps to the ends of the Rear Bow.



Section 12 Close and Secure Header Latch



Step One

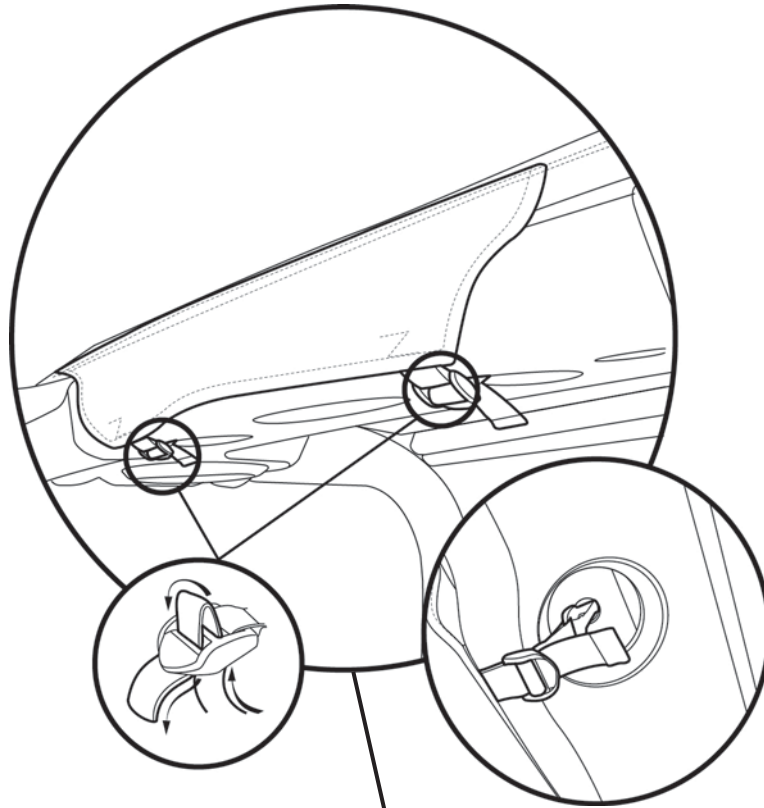
Close the Header.

Step Two

Hook the latches on the Header into the loops in the windshield. Repeat on opposite side.



Section 13 Secure Center Strap

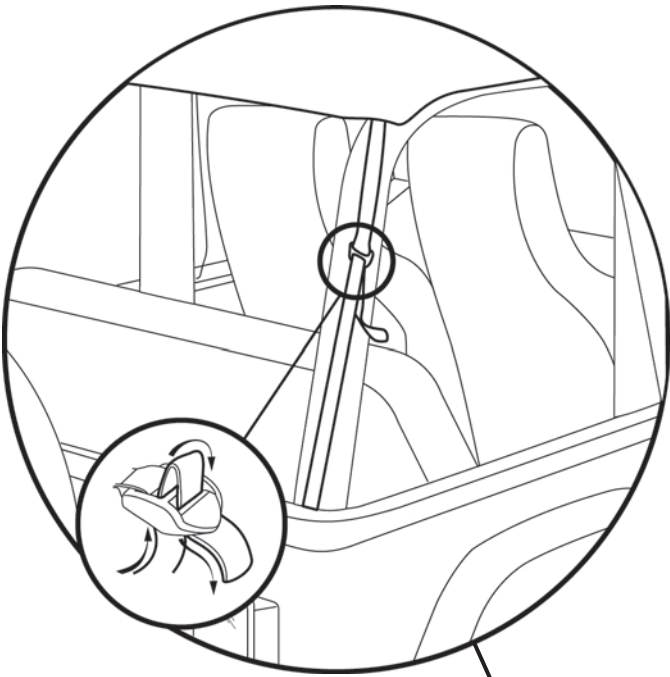


Step One

Thread a Web Strap with Snap Hook through each buckle. Hook the straps into the slot on the underside of the sportbar.. Pull the ends of each strap to tighten securely.

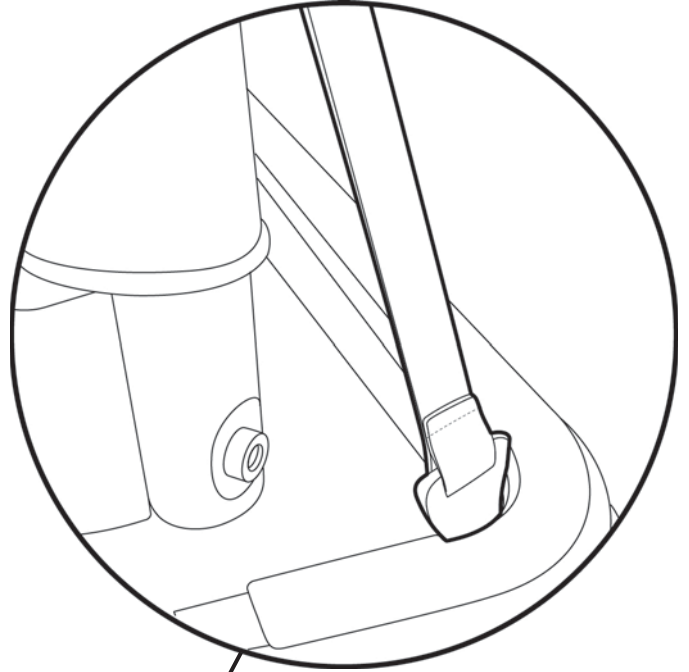


Section 14 Secure Rear Strap



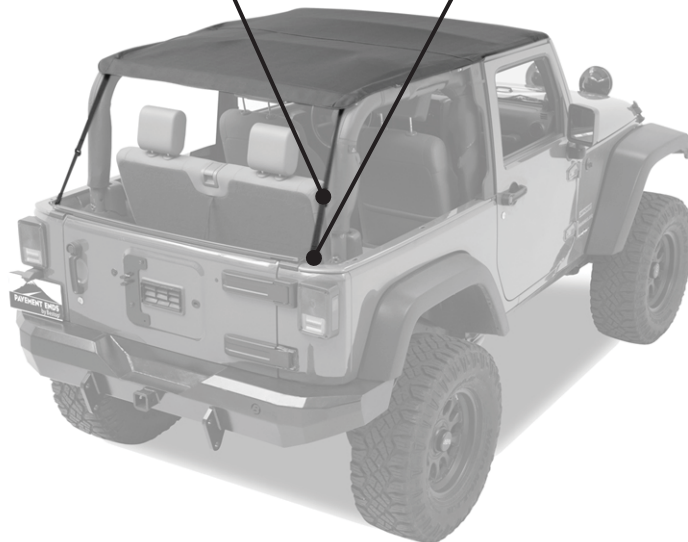
Step One

Thread a J-Hook Buckle Strap through the buckle on one of the rear straps.



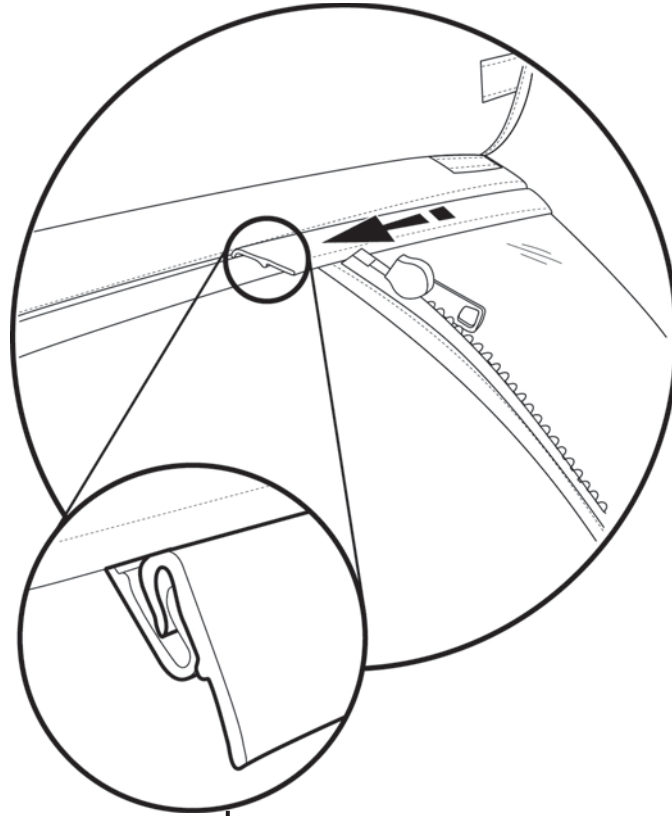
Step Two

Hook the strap to the ledge inside the rear corner of the vehicle. Repeat on both sides of the vehicle.



Section 15

Install Rear Window

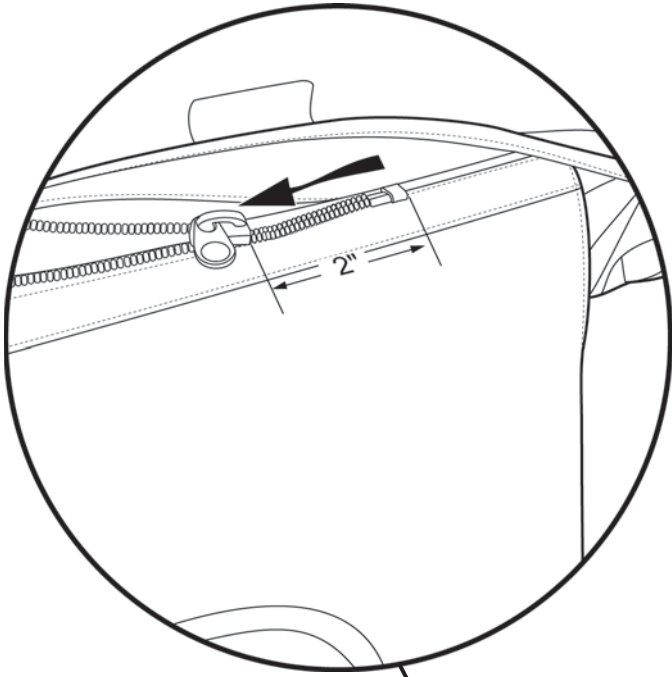


Step One

Align the J-slide with the J-slide sewn into the rear of the Top. Slide them together until the Rear Window is centered in the opening.

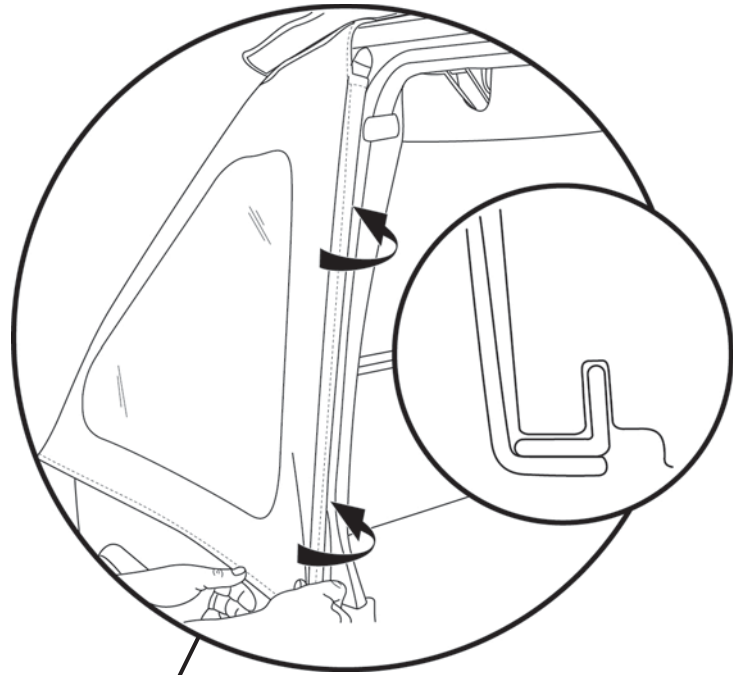


Section 16 Install Side Window



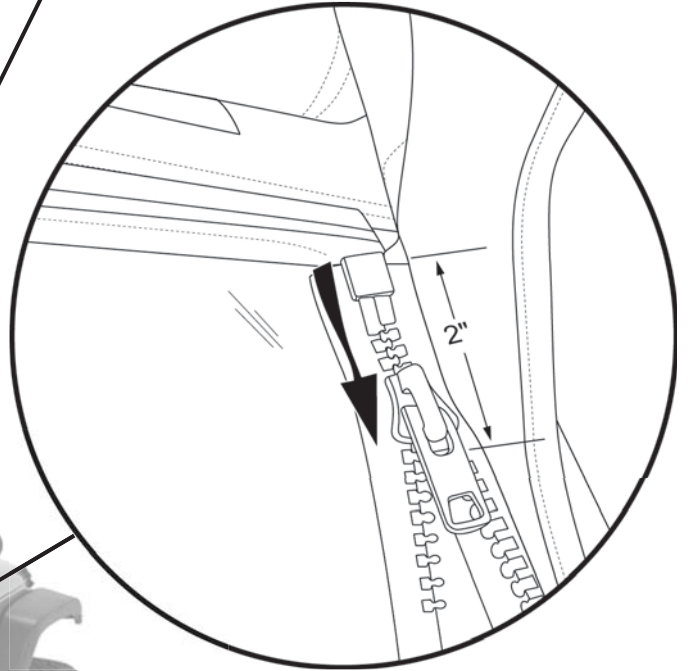
Step One

Start the zipper along the top of the Side Window with the zipper in the Top. Only close the zipper 1-2".



Step Two

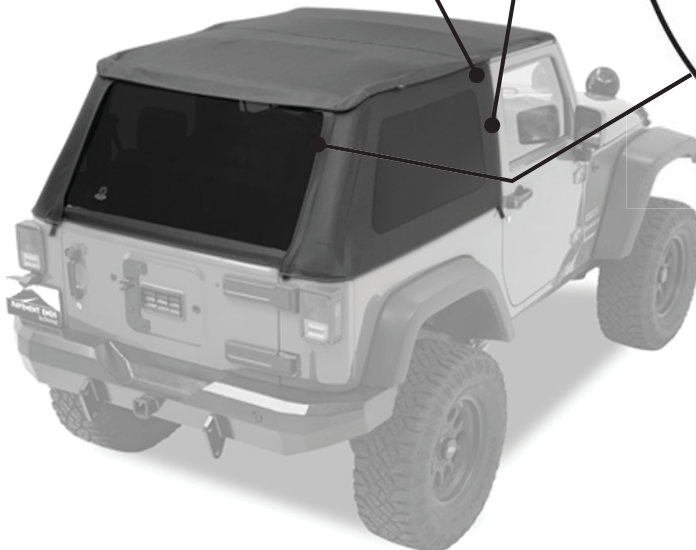
Slip the plastic strip on the front of a Side Window into the channel in the Door Surround. Repeat with both Side Windows.



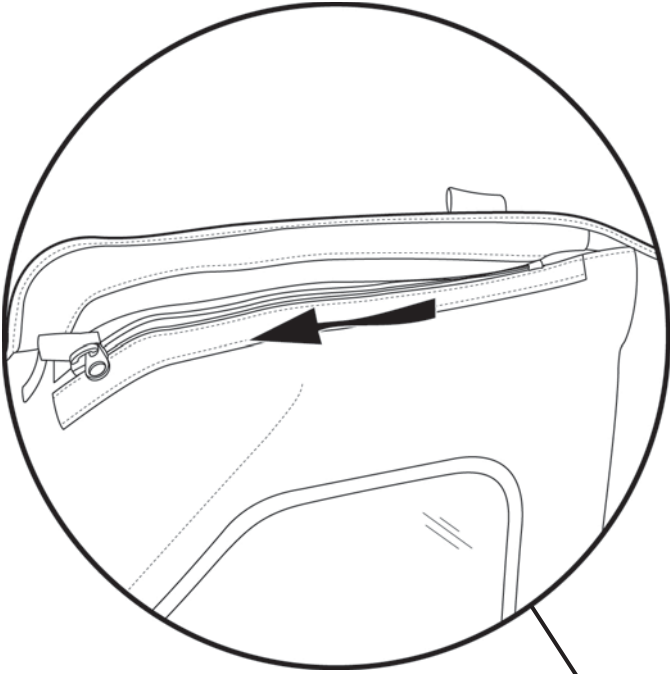
Step Three

Engage the Rear Window zipper with the Quarter Panel zipper. Only close the zipper 1-2".

Repeat on opposite side.

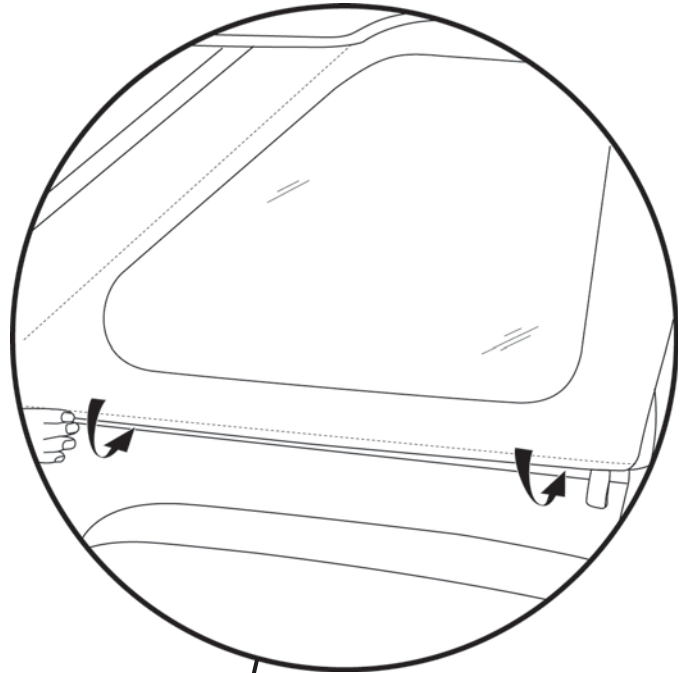


Section 16 Install Side Window (cont.)



Step Four

Close the zippers along the top of each Side Window.



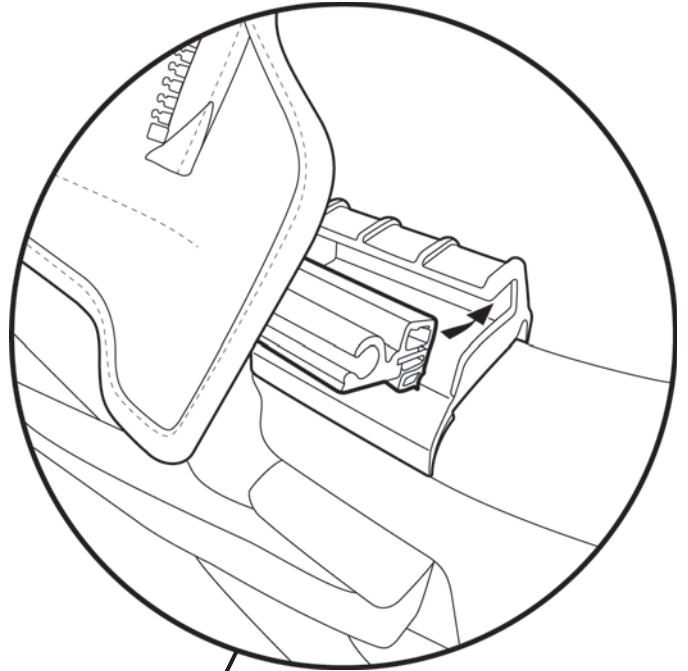
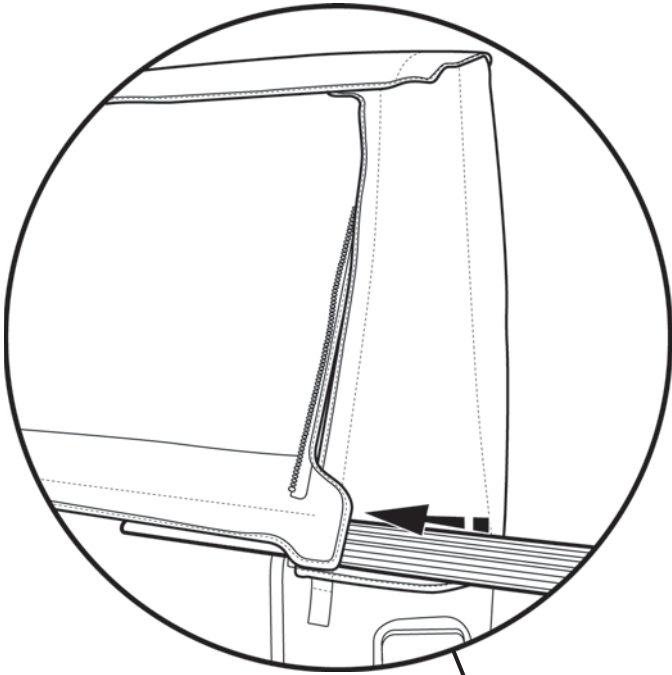
Step Five

Slip the plastic strip along the bottom of the Side Windows into the channel in the belt rail on each side of the vehicle.

Repeat on opposite side.



Section 17 Install and Secure Tailgate Bar



Step One

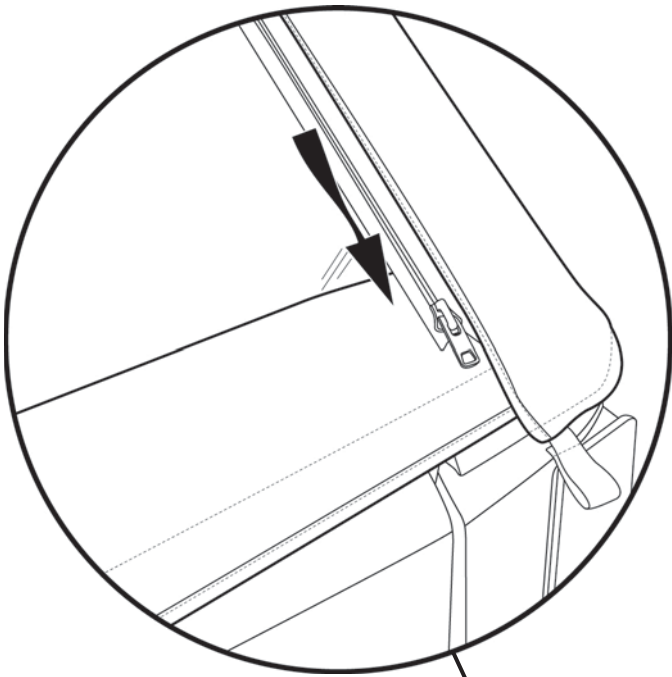
Slide the channel in the Tailgate Bar onto the tubing along the bottom of the Rear Window on the inside.

Step Two

Slide the Tailgate Bar into the Tailgate Bar Mounts on each side of the tailgate opening.

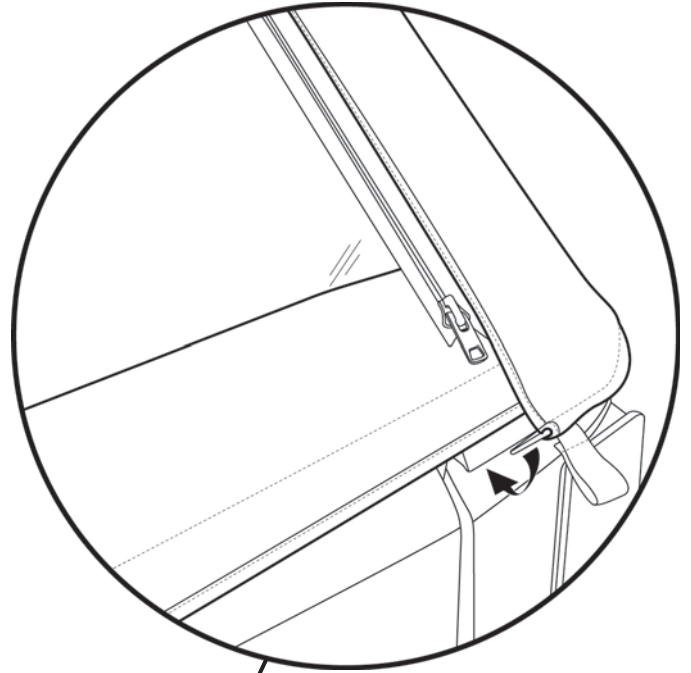


Section 18 Secure Rear Window



Step One

Close the zippers on both sides of the Rear Window.

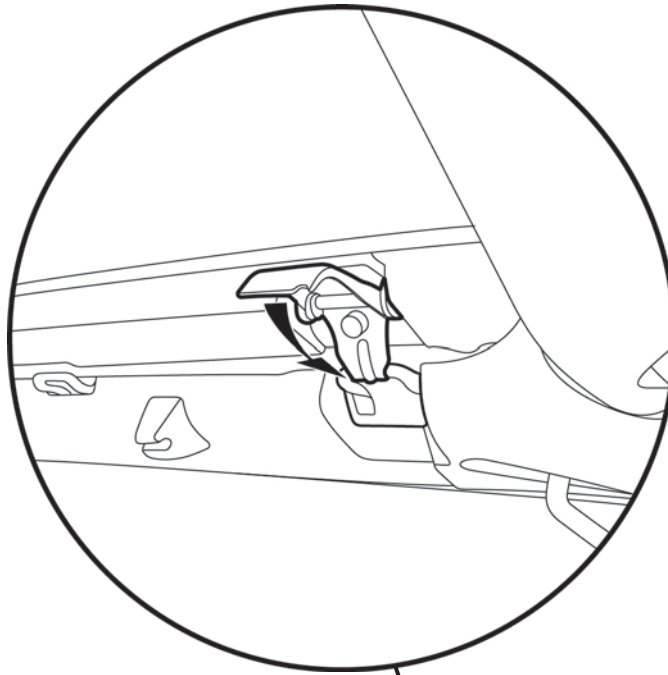


Step Two

Wrap the Side Windows over the Rear Window and slip the plastic strips on each Side Window under the Tailgate Bar Mounts on each side of the tailgate.



Section 19 Secure Header Latches

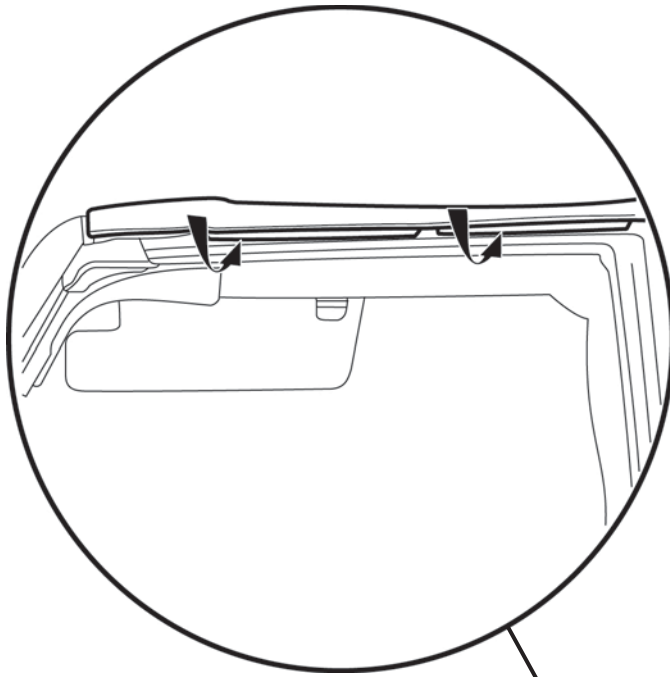


Step One

Hook the latches on the Header into the loops in the windshield and close them.



Section 20 Secure Top Above Door Openings



Step One

Slip the plastic strips above the doors into the channel on the vehicle.



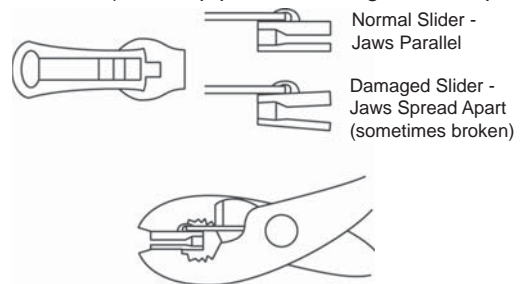
Care and Maintenance of your Pavement Ends Product

Your Pavement Ends product is made of the finest materials available. To keep it looking new and for the maximum possible wear, it will need periodic cleaning and maintenance.

Fabric: The fabric should be washed often using soap, warm water and a soft bristle brush. Rinse with clear water to remove all traces of soap. Pavement Ends recommends using Bestop Cleaner (part no. 11201-00) and Bestop Protectant (part no. 11202-00). Bestop Cleaner and Bestop protectant are specially formulated to provide a total cleaning and protection system. Bestop Cleaner safely removes the toughest stains, will not harm vehicle finishes, is biodegradable and environmentally friendly. Bestop Protectant protects against UV-fading, cracking and hardening, and repels dust, grease, dirt and mildew.

Windows: Keep windows clean to avoid scratching. DO NOT use a brush on the windows! Wash with a water-soaked cloth or sponge and a mild dishwashing detergent. Pavement Ends recommends Bestop Vinyl Window Cleaner (part no. 11203-00), which safely cleans and protects vinyl windows and helps prevent UV damage. NEVER WIPE THE WINDOWS WHEN THEY ARE DRY. Be careful when cleaning snow or frost from the vinyl windows since they are easily scratched and may crack at low temperatures. DO NOT roll the sides or rear window in cold weather. The windows become stiff and will crack. Cracks caused by misuse in cold temperatures are not covered under warranty.

Zippers: Keeping zippers cleaned and lubricated with Bestop's Zipper Cleaner (part no. 11206-00) will help prevent damage and keep the zippers in smooth working condition. If a zipper opens behind the slider, the slider may have been spread apart. This problem can usually be repaired by using an ordinary pair of pliers to bring the sides back into parallel. Return slider to the end of the zipper in the normal Open position. Squeeze lightly at first and test the zipper. If the zipper continues to remain open squeeze more firmly with the pliers and try the zipper again. Repeat this procedure until the zipper operates correctly.



Water: Seeping through at the seams may be stopped by applying 3-M Scotchgard® on the inside of the seams. Rips in the fabric may be repaired with Bondex® iron on patches. Iron the patches to the Inside of the top, carefully following the Bondex® instructions.

Snaps: Keep snaps cleaned and lubricated with silicone to help prevent snaps from sticking to the studs. If a snap does become stuck to a stud, use a screwdriver and GENTLY pry apart to prevent permanent damage to the snap or the top fabric.

LIMITED WARRANTY

We warrant our product to be free from defects in material and workmanship, for terms specified below, provided there has been normal use and proper maintenance. This warranty applies to the original purchaser only. All remedies under this warranty are limited to the repair or replacement of any item or items found by the factory to be defective within the time period specified.

If you have a warranty claim, first you must call our factory at the number below for instructions. You must retain proof of purchase and submit a copy with any items returned for warranty work. Upon completion of warranty work, if any, we will return the repaired or replaced item or items to you freight prepaid. Damage to our products caused by accidents, fire, vandalism, negligence, misinstallation, misuse, Acts of God, or by defective parts not manufactured by us, is not covered under this warranty.

THE WARRANTY TIME PERIOD IS AS FOLLOWS: ALL "GOODS" MANUFACTURED BY OUR COMPANY: THREE (3) YEAR FROM DATE OF PURCHASE.

ANY IMPLIED WARRANTIES OF MERCHANTABILITY AND/OR FITNESS FOR A PARTICULAR PURPOSE CREATED HEREBY ARE LIMITED IN DURATION TO THE SAME DURATION AND SCOPE AS THE EXPRESS WRITTEN WARRANTY. OUR COMPANY SHALL NOT BE LIABLE FOR ANY INCIDENTAL OR CONSEQUENTIAL DAMAGE.

Some states do not allow limitations on how long an implied warranty lasts, or the exclusion or limitation of incidental or consequential damages, so the above limitations or exclusions may not apply to you.

This warranty gives you specific legal rights, and you may also have other rights which vary from state to state.

For further information, please contact:

Customer Service
877-638-9509