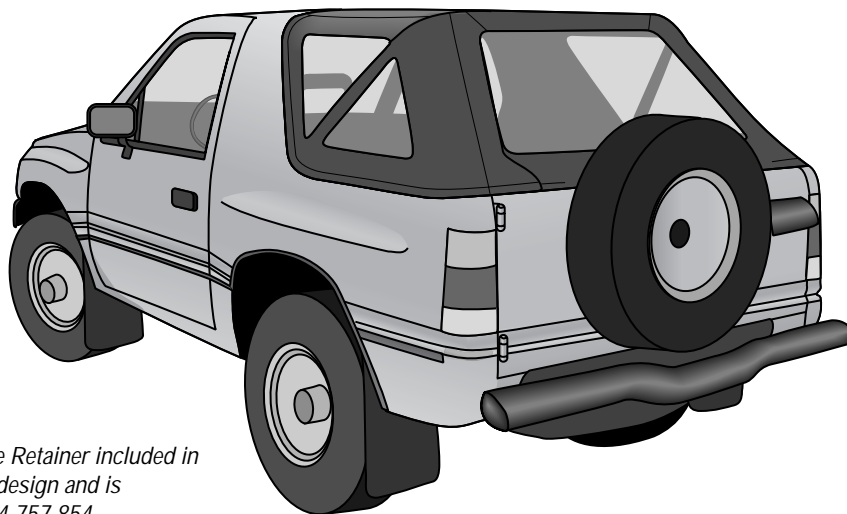




## Replay Fabric Replacement Top Installation Instructions

For: Isuzu Amigo 1989 - 1994 with  
Patented Belt Rail Tailgate Enhancement

Part Number: 51139



*The metal Belt Rail Tailgate Retainer included in this product is an original design and is protected by U.S. Patent #4,757,854.*

### WARNING

This product is designed to enhance the appearance of the vehicle and to shield the occupants from ordinary weather conditions. Do not rely in any way on the components of this product to contain occupants within the vehicle, or to protect against injury or death in the event of an accident. This top will not protect the occupants from falling objects. Never operate vehicle in excess of manufacturer's specifications.

**WEAR SEAT BELTS AT ALL TIMES**

Read and follow, precisely, all installation instructions provided when installing top. Failure to do so may result in a poor fitting top and could place occupants of the vehicle in a potentially dangerous situation. After installing or reinstalling the top, check to make sure it has been properly installed.

### Installation Tips

*After completing the installation, keep these instructions for future reference. Before you begin installing this Replay Top assembly, read all instructions thoroughly. Below are a few tips to make this installation easier.*

#### **For a smooth fit:**

For ease in installation, the Replay Top should be installed at temperatures above 72° F. Below this temperature, the fabric may contract an inch or more, making it difficult to fit to the vehicle.

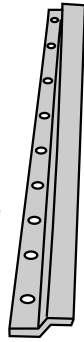
It is normal for the fabric to contract and wrinkle when stored in the shipping carton. Within a few days after the installation, the fabric will relax and the wrinkles will disappear.

# Parts List and Hardware Identification

Top Fabric Assembly	Qty - 1
Rear Curtain (Window)	Qty - 1
Adhesive Hook Strip, 5/8" x 2"	Qty - 4
3-3/4" Plastic Strip	Qty - 1

Tailgate Retainer, Qty - 1, Part Number 286.50

The application of the above part is protected under U.S. Patent #4,757,854.



## Tools Needed

- Phillips Screwdriver
- Flat Screwdriver
- 7/16" Wrench
- 10mm Wrench
- 50/50 Alcohol/Water Solution
- Clean Cloth
- Safety Glasses

1/4 - 20 Locknut, Qty - 9, Part Number 198.26

#6-32 Locknut, Qty - 2, Part Number 298.25

#6-32 x 3/4 Pan Head Screw, Qty - 2, Part Number 298.23

#6 Washer, Qty - 4, Part Number 298.24

1/4 - 20 Phillips Head Bolt, Qty - 9, Part Number 257.92

Body Stud, Qty - 2, Part Number 9.68

Parts Shown in Actual Size

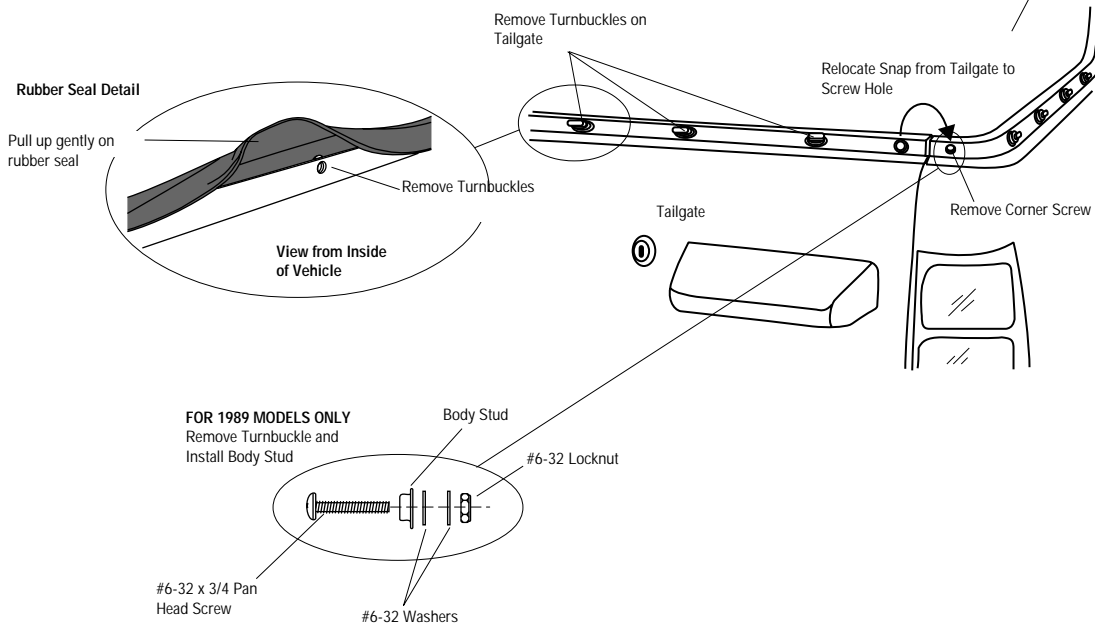
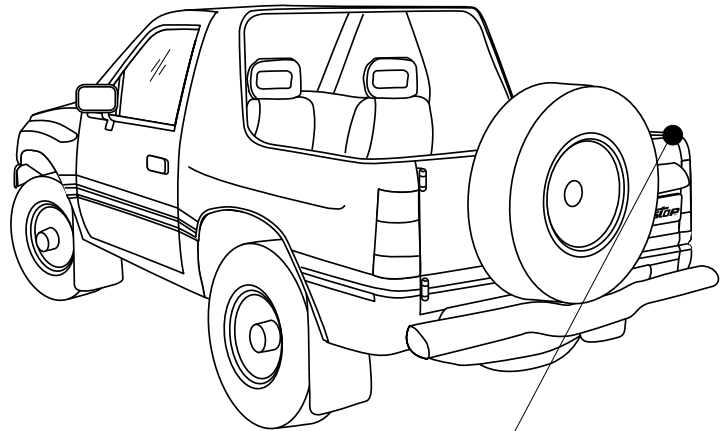
## Step One

Remove the old top.

Lift up slightly on the rubber seal along the top of the tailgate to access the nuts securing the seven "Lift-a-Dot" Posts to the tailgate. Remove the "Lift-a-Dot" Posts.

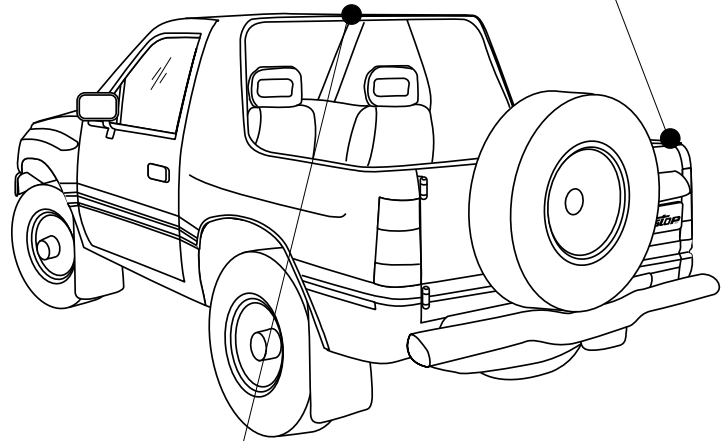
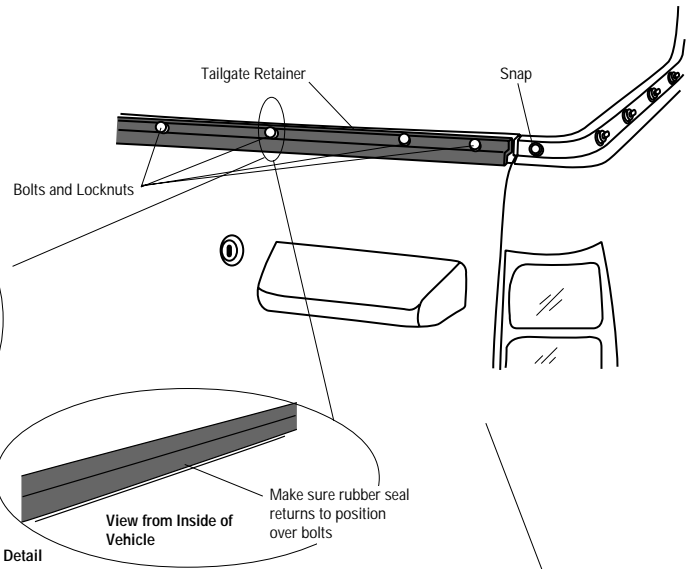
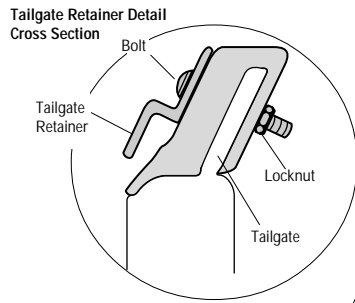
Remove the corner screws, next to the tailgate on each side. Relocate the snaps on each end of the tailgate to the screw holes on either side of the tailgate.

**FOR 1989 MODELS ONLY:** On 1989 models, there is a turnbuckle on each end of the tailgate. Remove it. Use the Body Studs, #6-32 x 3/4 Pan Head Screws, #6-32 Washers and #6-32 Locknuts from the Parts Kit. Install the Body Studs with a washer behind the stud and one in front of the nut.



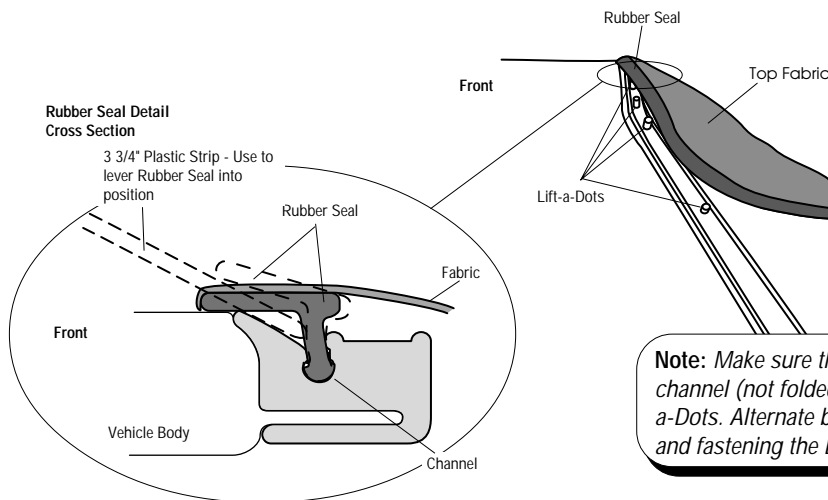
## Step Two

Install Tailgate Retainer on top of tailgate. Place the retainer over the holes from the turnbuckles and install it with the 9 Bolts and Locknuts provided. Check the rubber seal to make certain it returns to the proper position.



## Step Three

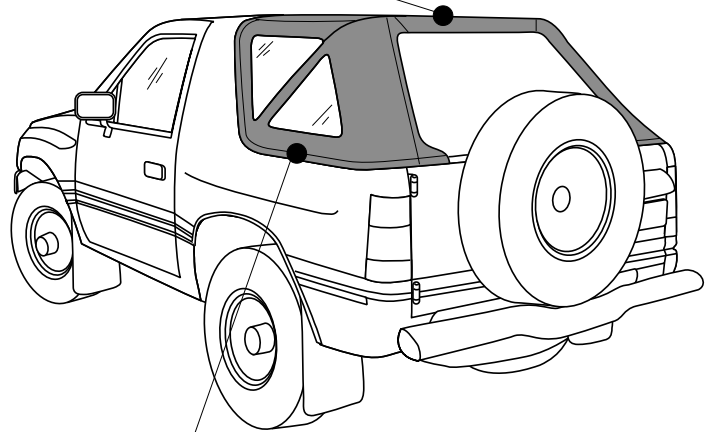
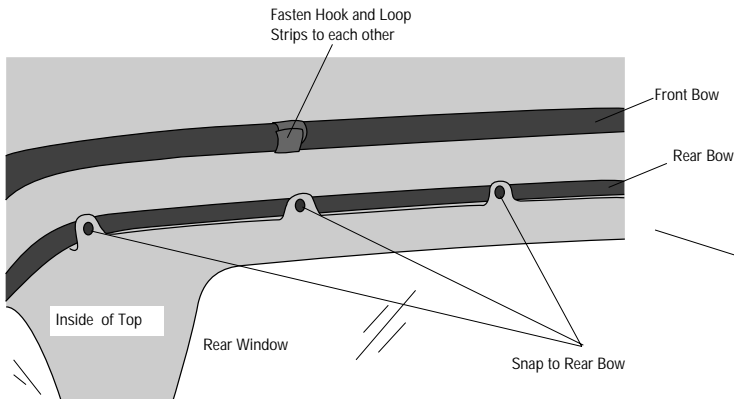
Orient the top fabric on the vehicle with the weatherstripping and the Lift-a-Dots toward the front. With the bow folded forward, start in the center along the front of the vehicle and seat the rubber seal into the channel on the roof. Make sure the rubber seal is seated in the channel and not folded over. Push the Lift-a-Dot in the fabric over the stud on the vehicle. Alternate between seating the rubber seal into the channel and fastening the Lift-a-Dots across the top of the roof. Do not continue down the sides at this time.



**Note:** Make sure the rubber seal is seated in the channel (not folded over) before fastening the Lift-a-Dots. Alternate between seating the rubber seal and fastening the Lift-a-Dots.

## Step Four

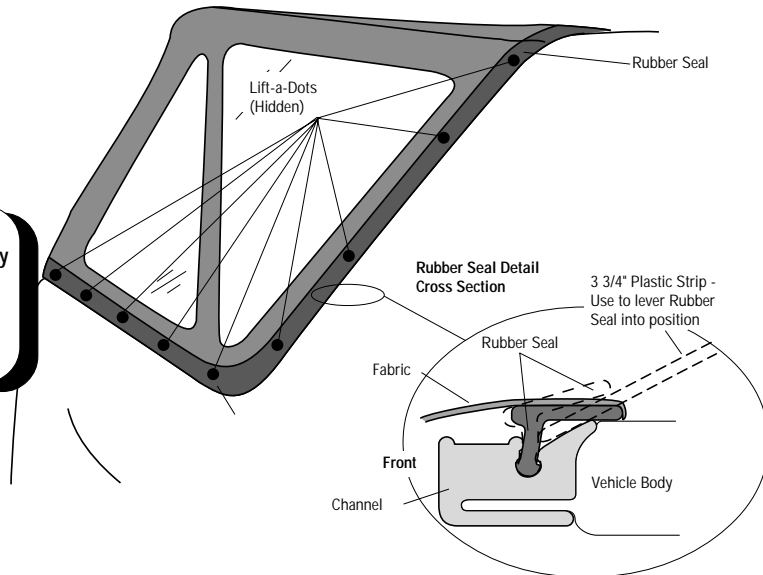
Drape the fabric over the bow and gently pull the bow back into position. Snap the five snaps inside the rear seam to the rear bow. Then wrap the hook and loop strips around the front bow.



## Step Five

Install the remaining rubber seal and the Lift-a-Dots down the front and around the corner on the side panel. As before, make sure that the rubber seal is seated in the channel and not folded over before fastening the Lift-a-Dots. Alternate between seating the rubber seal and fastening the Lift-a-Dots.

**Note:** The Lift-a-Dot studs may be adjusted from side to side on the vehicle, if necessary to match the Lift-a-Dots in the top. Use a wrench to loosen the studs from inside the vehicle, underneath the rubber seal and slide the stud in the direction required.



**Note:** Make sure the rubber seal is seated in the channel (not folded over) before fastening the Lift-a-Dots. Alternate between seating the rubber seal and fastening the Lift-a-Dots.

## Step Six

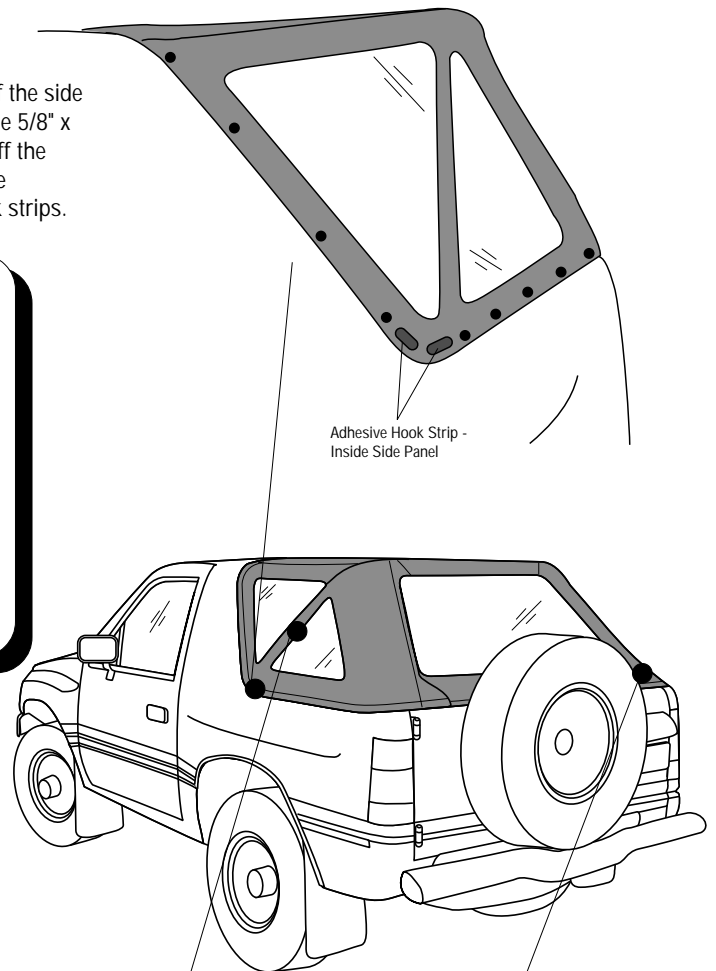
Locate the two 3" loop strips sewn to the inside of the top in the corner of the side panels, between the Lift-a-Dots. Use the loop strips as guides to install the 5/8" x 2" Adhesive Hook Strips between the Lift-a-Dot Studs. Peel the backing off the Adhesive Hook Strips and press them firmly into place. After installing the Adhesive Hook Strips, fasten the loop strips on the side panel to the hook strips.

### Hook and Loop Installation

The Adhesive Hook Strip in the parts kit fastens to the loop strip sewn into the cover.

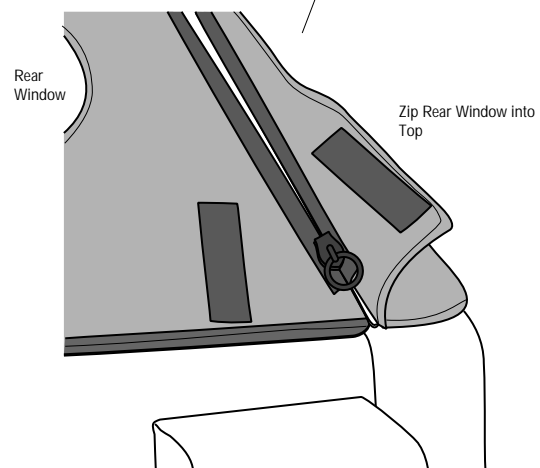
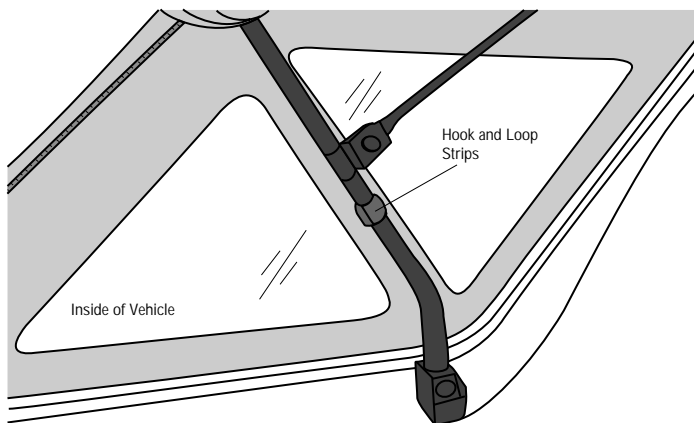
Use a 50/50 solution of alcohol and water to clean the locations for the adhesive Hook Strip. Be sure to remove all dirt, silicone sealants, wax, and any other substances which might prevent the adhesive from sticking to the paint.

**Note:** Do not attempt to apply the adhesive hook in temperatures of less than 60° F. The adhesive backing will fully set within 72 hours of application. You may install the Top after about 12 hours, but you should avoid unnecessary fastening and unfastening of the cover for 72 hours.



## Step Seven

Locate the hook and loop strips sewn to the inside of the top between the side windows. Wrap the strips around the bow and fasten them to each other.

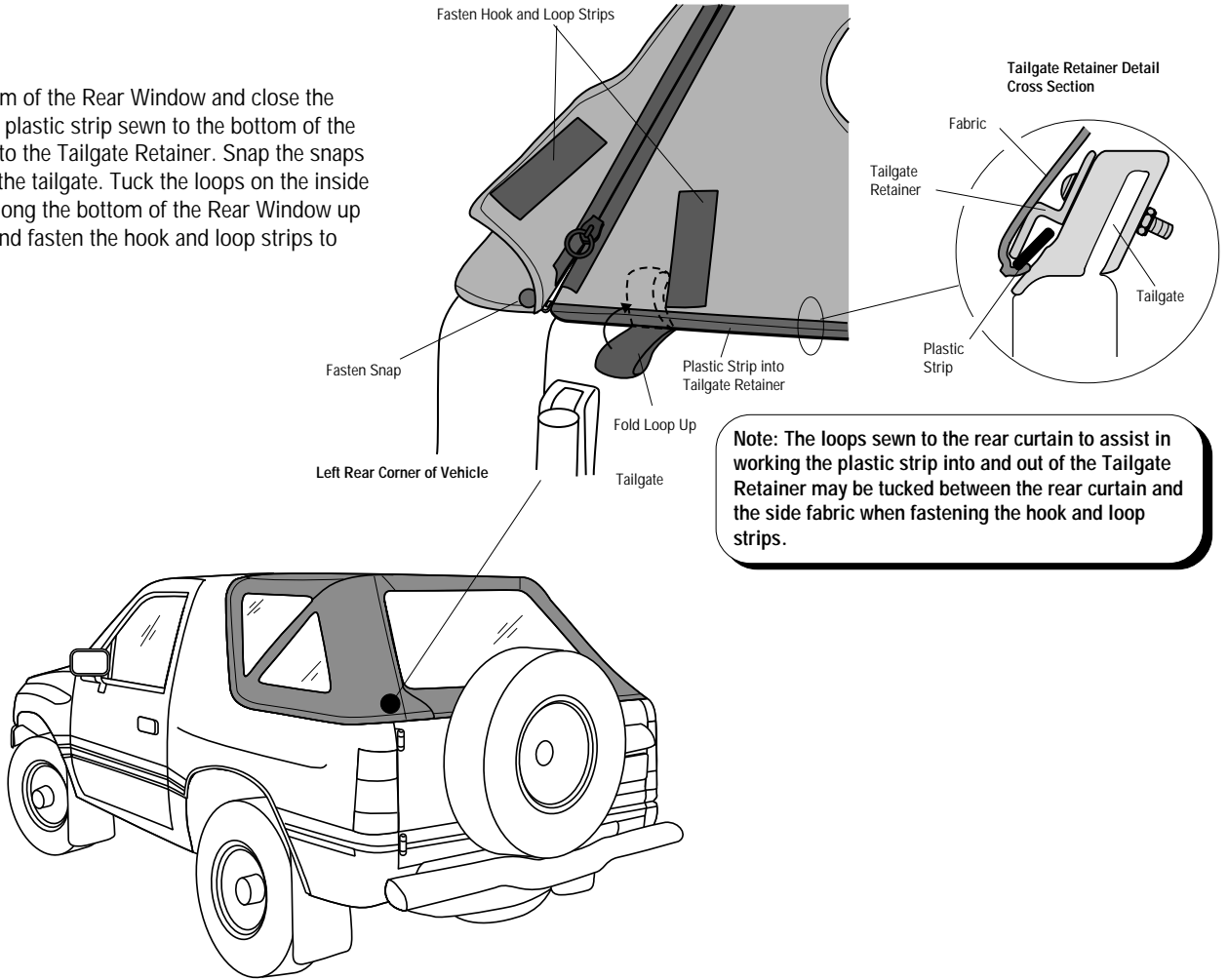


## Step Eight

Open the tailgate. Start on the passenger side and zip the Rear Window to the top.

## Step Nine

Lift up the bottom of the Rear Window and close the tailgate. Slip the plastic strip sewn to the bottom of the Rear Window into the Tailgate Retainer. Snap the snaps on each side of the tailgate. Tuck the loops on the inside of the top and along the bottom of the Rear Window up out of the way and fasten the hook and loop strips to each other.

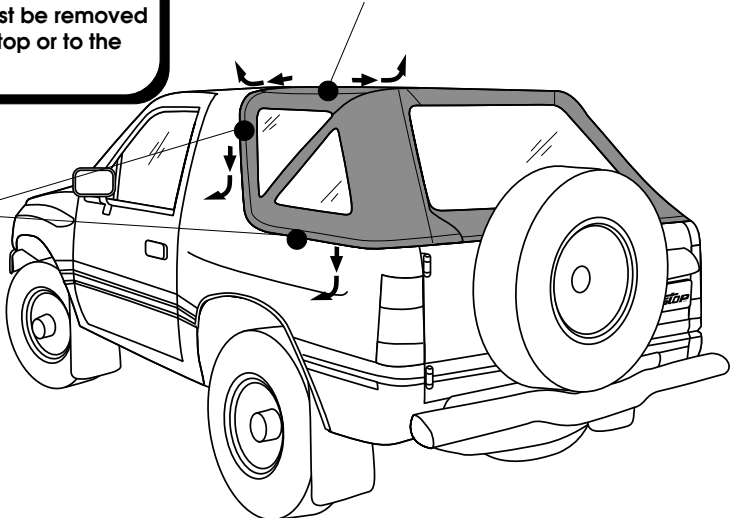


**Note:** The loops sewn to the rear curtain to assist in working the plastic strip into and out of the Tailgate Retainer may be tucked between the rear curtain and the side fabric when fastening the hook and loop strips.

**Please Note:**  
When removing the top, the Lift-a-Dots must be removed carefully in order to avoid damage to the top or to the Lift-a-Dots.

To remove the Lift-a-Dots along the top of the vehicle, pull the fabric toward the rear side of the vehicle (from the center) and straight out to release the Lift-a-Dots.

To remove the Lift-a-Dots along the bottom and front sides, pull the fabric straight down and straight out to release the Lift-a-Dots.



### LIMITED WARRANTY

We warrant our product to be free from defects in material and workmanship, for the terms specified below, provided there has been normal use and proper maintenance. This warranty applies to the original purchaser only. All remedies under this warranty are limited to the repair or replacement of any item or items found by the factory to be defective within the time period specified.

If you have a warranty claim, first you must call our factory at the number below for instructions. You must retain proof of purchase and submit a copy with any items returned for warranty work. Upon completion of warranty work, if any, we will return the repaired or replaced item or items to you freight prepaid. Damage to our products caused by accidents, fire, vandalism, negligence, misinstallation, misuse, Acts of God, or by defective parts not manufactured by us, is not covered under this warranty.

THE WARRANTY TIME PERIOD IS AS FOLLOWS: ALL "SOFT GOODS" MANUFACTURED BY OUR COMPANY (USING PRIMARILY VINYL, PLASTICS, AND/OR FOAM): ONE YEAR FROM DATE OF PURCHASE.

ANY IMPLIED WARRANTIES OF MERCHANTABILITY AND/OR FITNESS FOR A PARTICULAR PURPOSE CREATED HEREBY ARE LIMITED IN DURATION TO THE SAME DURATION AND SCOPE AS THE EXPRESS WRITTEN WARRANTY. OUR COMPANY SHALL NOT BE LIABLE FOR ANY INCIDENTAL OR CONSEQUENTIAL DAMAGE.

Some states do not allow limitations on how long an implied warranty lasts, or the exclusion or limitation of incidental or consequential damages, so the above limitations or exclusions may not apply to you.

This warranty gives you specific legal rights, and you may also have other rights which vary from state to state.

For further information or request for warranty work, please contact: Customer Service  
877 638-9509