



Sun Cap Plus

Installation Instructions

For: Jeep Wrangler with or without Door Surround
2003 – 2006

Part Number: 41521



Installation Tips

Before you begin installing this assembly, read all instructions thoroughly.

For a smooth fit:

For ease in installation, the product should be installed at temperatures above 72° F. Below this temperature, the fabric may contract an inch or more, making it difficult to fit to the vehicle. It is normal for fabric to contract and wrinkle when stored in the shipping carton. Within a few days after the installation, the fabric will relax and the wrinkles will disappear.



WARNING

This product is designed to enhance the appearance of the vehicle. Do not rely in any way on the components of this product to contain occupants within the vehicle, or to protect against injury or death in the event of an accident. Never operate vehicle in excess of manufacturer's specifications.

WEAR SEAT BELTS AT ALL TIMES

Read and follow, precisely, all installation instructions provided when installing this product. Failure to do so could place occupants of the vehicle in a potentially dangerous situation. After installing or reinstalling, check to make sure it has been properly installed.

Table of Contents

SUN CAP PLUS PARTS LIST.....	PAGE 2
SUN CAP PLUS INSTALLATION.....	PAGE 2
SUN CAP PLUS WARRANTY	PAGE 5



CAUTION

Safety glasses should be worn at all times while installing this product.

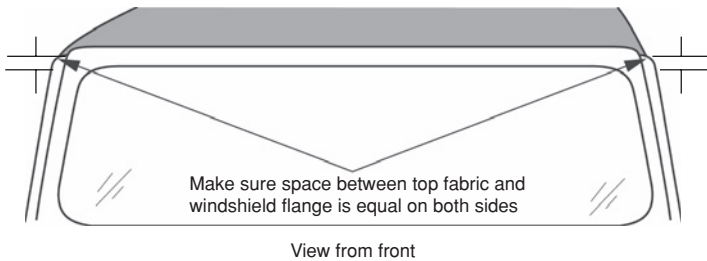
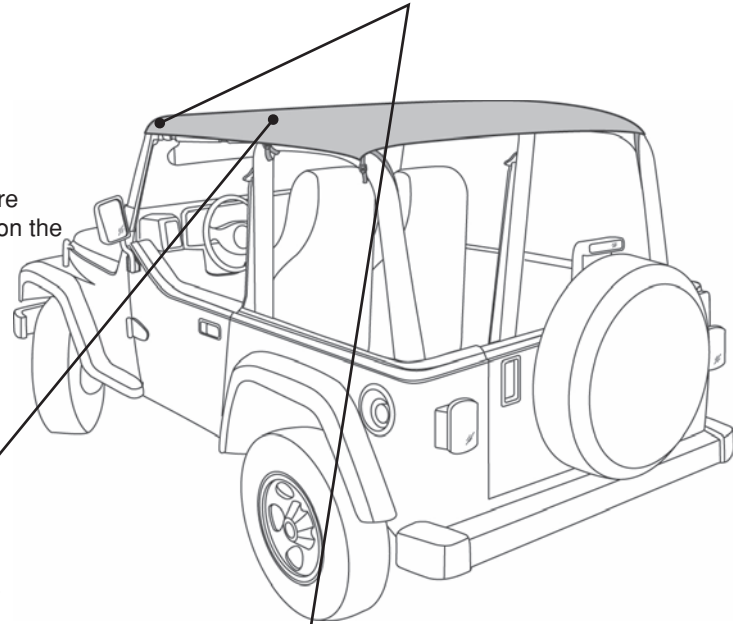
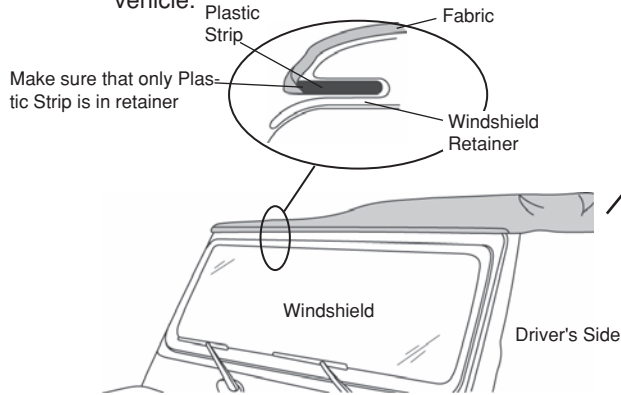
Parts List
Sun Cap Plus Qty - 1

Step One

INSTALL SUN CAP PLUS IN WINDSHIELD RETAINER

Orient the Sun Cap Plus on the vehicle and drape it over the bows. Insert the plastic strip sewn along the front of the Sun Cap Plus into the windshield retainer. Do not catch the fabric in the retainer. Center the Sun Cap Plus on the vehicle so that it is an equal distance from the top of the windshield flange on both sides.

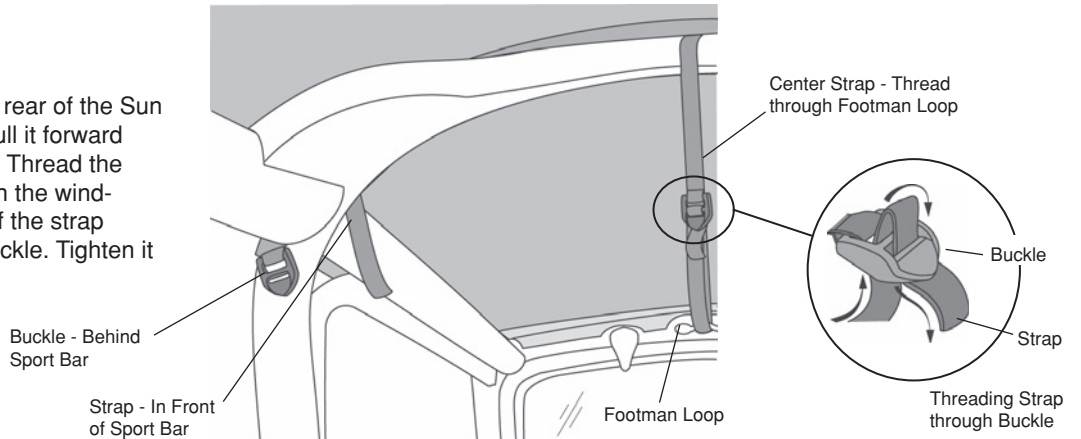
NOTE For best possible installation, check to make sure that the Sun Cap Plus top is perfectly centered on the vehicle.



Step Two

FASTEN CENTER STRAP

Wrap the long center strap at the rear of the Sun Cap Plus around the sport bar, pull it forward into the vehicle to the windshield. Thread the strap through the footman loop on the windshield frame. Then pull the end of the strap back and thread it through the buckle. Tighten it securely.

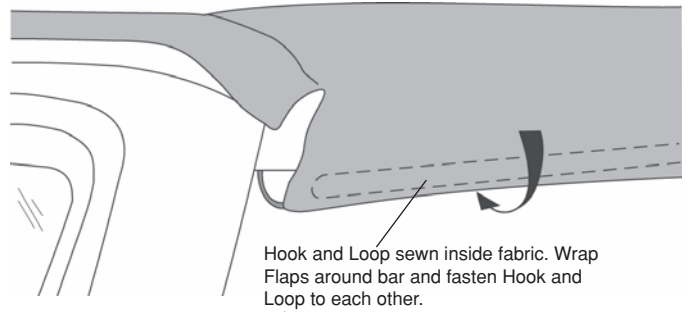


Step Three - without Door Surrounds

FASTEN FLAPS ABOVE DOORS

Locate the hook and loop strips sewn to the front corners of the Sun Cap Plus. Fasten the strips to each other and tuck them up above the horizontal sport bar, out of the way.

Locate the flap sewn inside the Sun Cap Plus above the door opening. Wrap the inside and outside flaps around the horizontal sport bar and fasten the Hook and Loop Strips to each other.



Step Three - with Door Surrounds

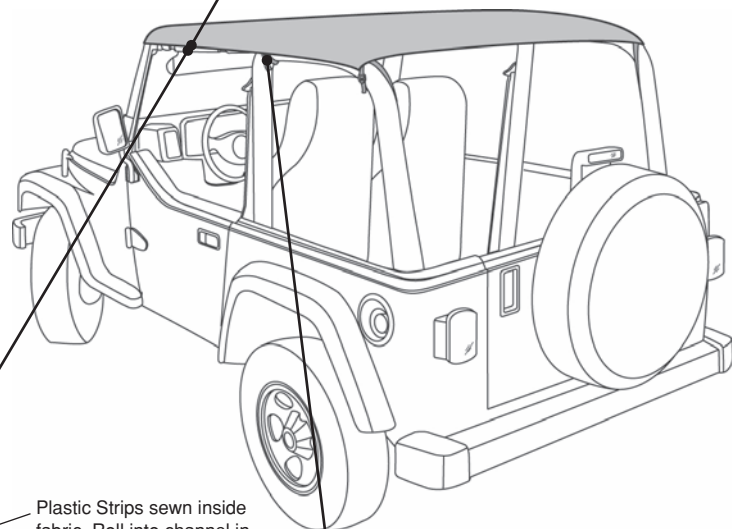
SECURE SUN CAP PLUS ABOVE DOORS

Locate the hook and loop strips sewn to the front corners of the Sun Cap Plus. Tuck the hook strip between the horizontal sport bar and the Door Side Rail.

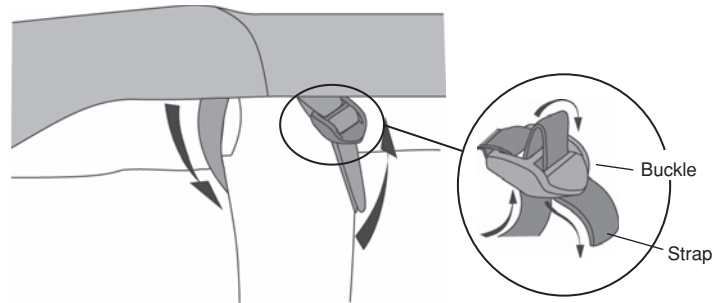
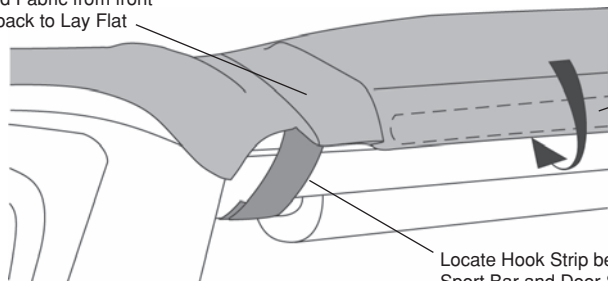
Locate the plastic strip sewn along the edge of the outer flap, above the door opening. Slip the plastic strip into the channel on the Door Surround.

Fold the fabric insert from front to back, so that it lays flat on top of the horizontal sport bar and wrap the outer loop strip around the Door Surround and fasten it to the hook strip tucked inside of the rail to hold the fabric in place.

NOTE When removing the Sun Cap Plus, it will be easiest to remove the plastic strips by starting at the front of the plastic and pulling down and out.



Fold Fabric from front to back to Lay Flat



Step Four

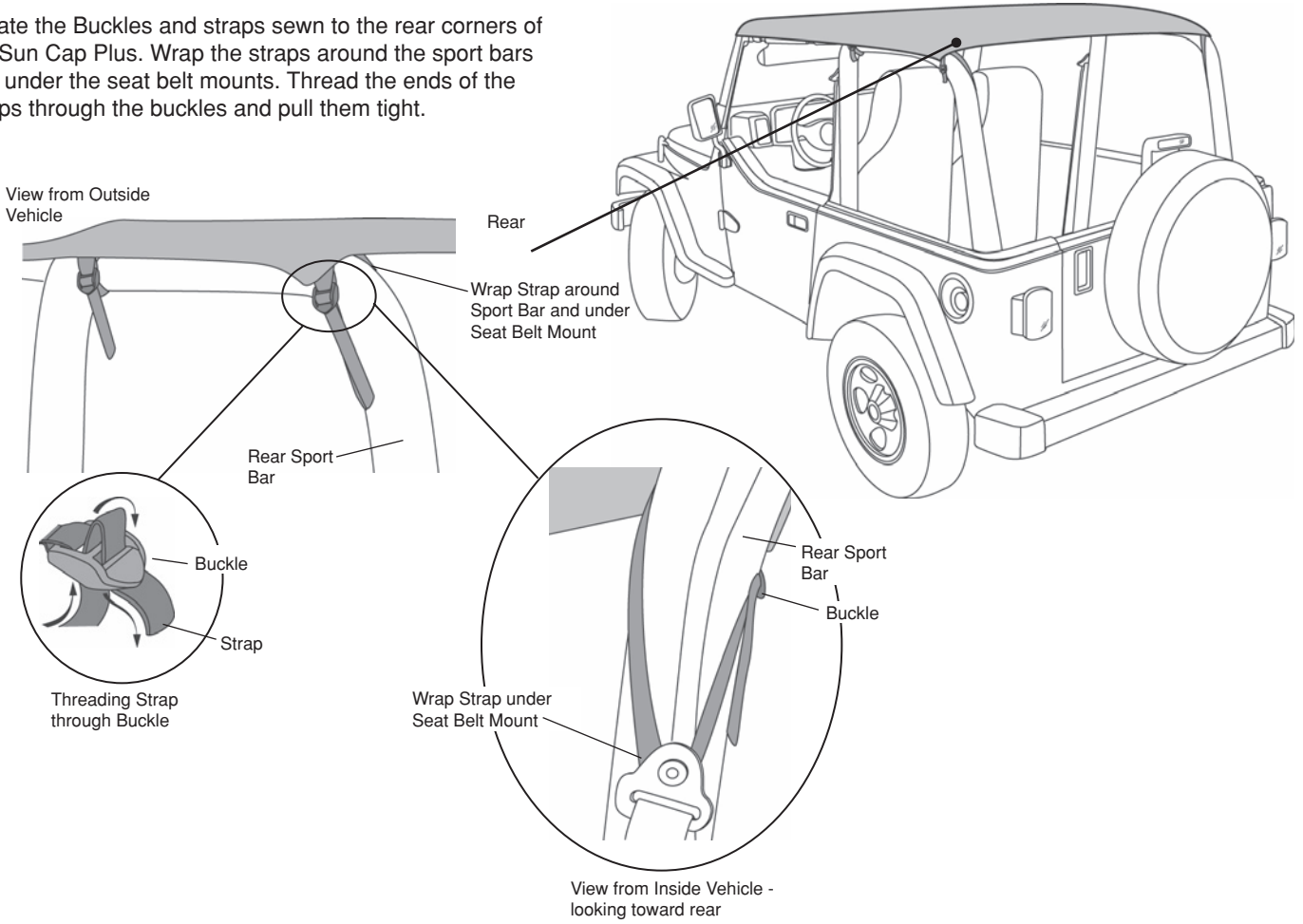
SECURE SIDE STRAPS

Wrap the strap sewn to the side of the Sun Cap Plus around the sport bar and thread it through the buckle on the side of the Sun Cap.

Step Five

SECURE REAR CORNER STRAPS

Locate the Buckles and straps sewn to the rear corners of the Sun Cap Plus. Wrap the straps around the sport bars and under the seat belt mounts. Thread the ends of the straps through the buckles and pull them tight.



Care and Maintenance of your New Sun Cap Plus

Your Sun Cap Plus is made of the finest materials available. To keep it looking new and for the maximum possible wear, it will need periodic cleaning and maintenance.

Washing: The fabric should be washed often using soap, warm water and a soft bristle brush. Rinse with clear water to remove all traces of soap.

Water: In the event of seeping through the seams, 3M Scotchgard® may be applied on the inside of the seams to stop the seepage. Rips in the fabric may be repaired with Bondex® iron on patches. Iron the patches to the Inside of the top, carefully following the Bondex® instructions.

LIMITED WARRANTY

We warrant our product to be free from defects in material and workmanship, for terms specified below, provided there has been normal use and proper maintenance. This warranty applies to the original purchaser only. All remedies under this warranty are limited to the repair or replacement of any item or items found by the factory to be defective within the time period specified.

If you have a warranty claim, first you must call our factory at the number below for instructions. You must retain proof of purchase and submit a copy with any items returned for warranty work. Upon completion of warranty work, if any, we will return the repaired or replaced item or items to you freight prepaid. Damage to our products caused by accidents, fire, vandalism, negligence, misinstallation, misuse, Acts of God, or by defective parts not manufactured by us, is not covered under this warranty.

THE WARRANTY TIME PERIOD IS AS FOLLOWS: ALL "GOODS" MANUFACTURED BY OUR COMPANY: ONE YEAR FROM DATE OF PURCHASE.

ANY IMPLIED WARRANTIES OF MERCHANTABILITY AND/OR FITNESS FOR A PARTICULAR PURPOSE CREATED HEREBY ARE LIMITED IN DURATION TO THE SAME DURATION AND SCOPE AS THE EXPRESS WRITTEN WARRANTY. OUR COMPANY SHALL NOT BE LIABLE FOR ANY INCIDENTAL OR CONSEQUENTIAL DAMAGE.

Some states do not allow limitations on how long an implied warranty lasts, or the exclusion or limitation of incidental or consequential damages, so the above limitations or exclusions may not apply to you.

This warranty gives you specific legal rights, and you may also have other rights which vary from state to state.

For further information, please contact:

Customer Service
877-638-9509

All or a portion of this product may have been made in China.