



Sun Cap Installation Instructions

For: Wrangler 1997 - 2002

Part Number: 41520

To be used with or without Soundbar
To be used with or without Door Surround Side Rails

Important Note: Must be used with a Windshield Channel Kit Number 51238-01.



WARNING

This product is designed to enhance the appearance of the vehicle and to shield the occupants from ordinary weather conditions. Do not rely in any way on the components of this product to contain occupants within the vehicle, or to protect against injury or death in the event of an accident. This top will not protect the occupants from falling objects. Never operate vehicle in excess of manufacturer's specifications.

WEAR SEAT BELTS AT ALL TIMES

Read and follow, precisely, all installation instructions provided when installing top. Failure to do so may result in a poor fitting top and could place occupants of the vehicle in a potentially dangerous situation. After installing or reinstalling the top, check to make sure it has been properly installed.

Installation Tips

After completing the installation, keep these instructions for future reference. Before you begin installing this product, read all instructions thoroughly. Below are a few tips to make this installation easier.

For a smooth fit:

For ease in installation, this product should be installed at temperatures above 72° F. Below this temperature, the fabric may contract an inch or more, making it difficult to fit to the vehicle.

It is normal for the fabric to contract and wrinkle when stored in the shipping carton. Within a few days after the installation, the fabric will relax and the wrinkles will disappear.

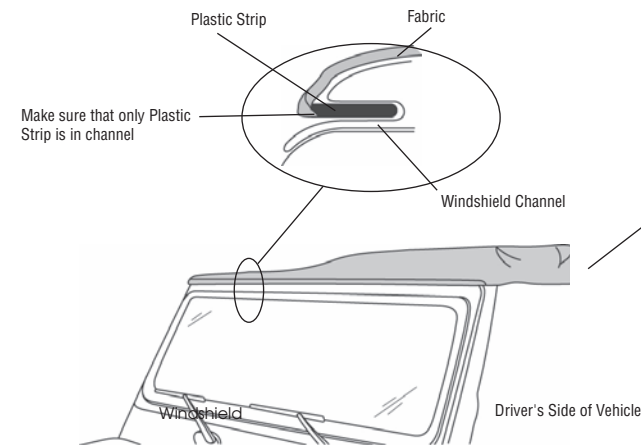
Parts List

Sun Cap

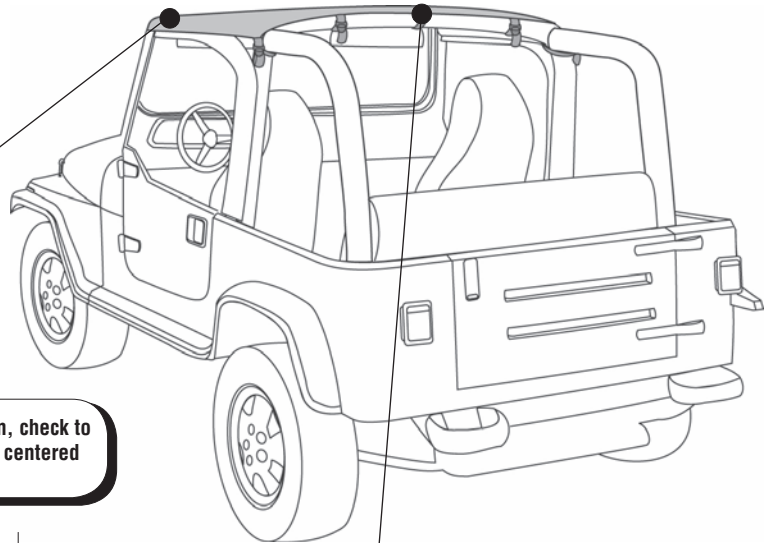
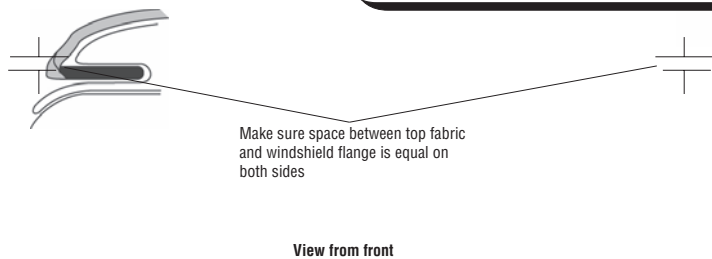
Qty - 1

Step One

Orient the Sun Cap on the vehicle and drape it over the bows. Insert the plastic strip sewn along the front of the Sun Cap into the windshield channel. Do not catch the fabric in the channel. Center the Sun Cap on the vehicle so that it is an equal distance from the top of the windshield flange on both sides.



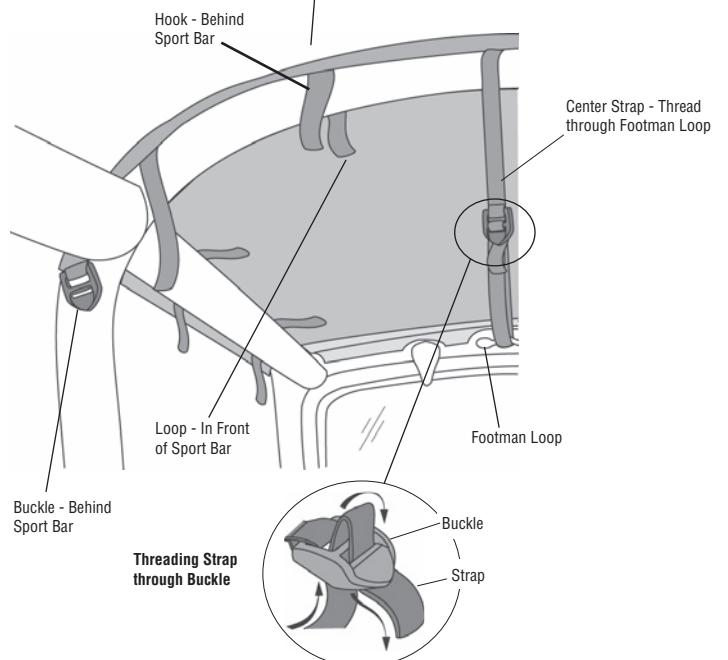
Note: For best possible installation, check to make sure that the top is perfectly centered on the vehicle.



Step Two - Without Soundbar

Drape the fabric over the center sport bar. Make sure that the long tails of the straps and the buckles are behind the sport bar. Wrap the long web straps around the rear sport bars and thread through the corner buckles. Wrap the hook and loop around the center sport bar with the loop in front of the bar and the hook behind the bar.

Wrap the long center strap at the rear of the Sun Cap around the sport bar, pull it forward into the vehicle to the windshield. Thread the strap through the footman loop on the windshield frame. Then pull the end of the strap back and thread it through the buckle. Tighten it securely.



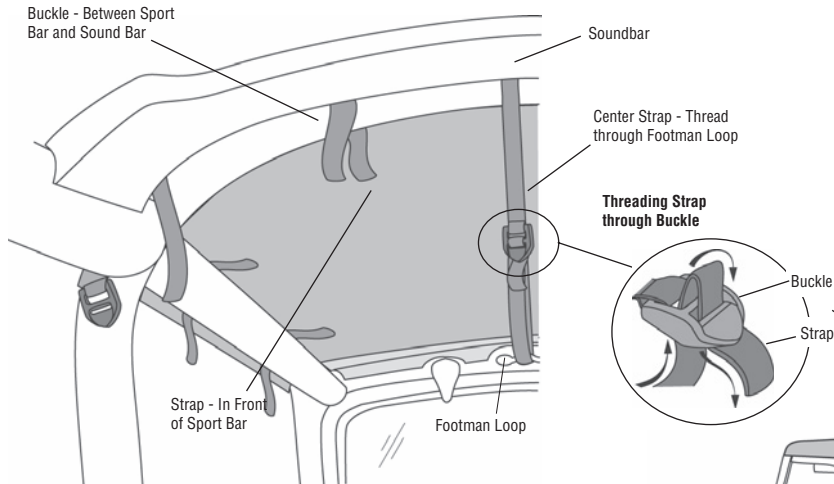
Step Two- With Soundbar

Drape the fabric over the center sport bar. Make sure that the loop straps are in front of the sport bar and that the long center strap, the hook straps, and the side web straps are resting on top of the soundbar.

Start with the center strap and push the end of the strap between the center sport bar and the soundbar. Push the end of the strap through until you can get ahold of the strap to pull the buckle through. Do this the hook and other web straps.

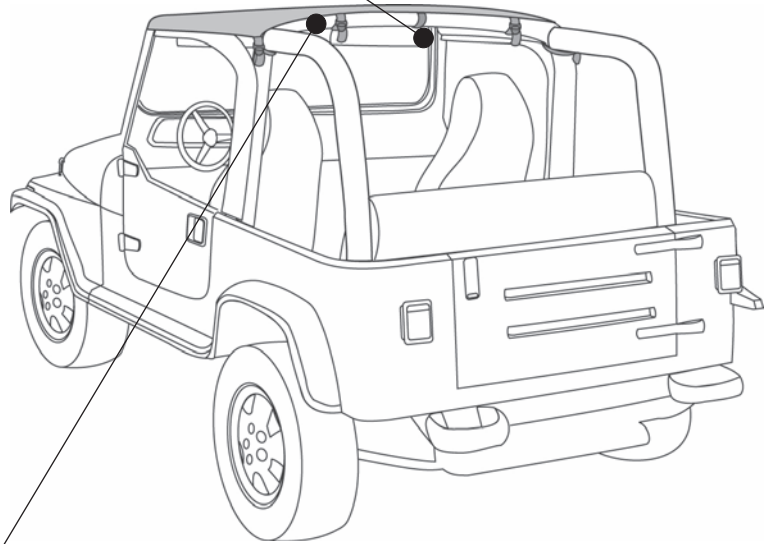
- See Note -

Wrap the long center strap at the rear of the Sun Cap around the sport bar, pull it forward into the vehicle to the windshield. Thread the strap through the footman loop on the windshield frame. Then pull the end of the strap back and thread it through the buckle. Tighten it securely.



Note: Some soundbars fit extremely tight against the sport bar preventing the buckles easy access to the straps. If this is the case, the soundbar must be moved slightly rearward. The distance will vary on each vehicle.

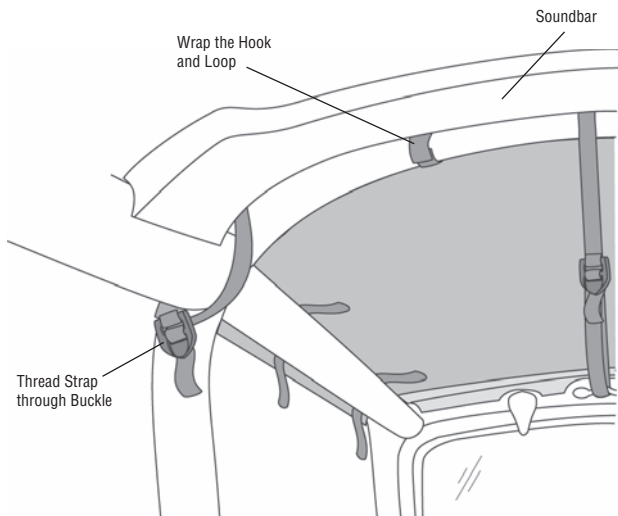
Remove the four bolts securing the soundbar in place. Reposition the soundbar rearward (check the clearance for buckle accessibility), notch out the soundbar attachment brackets accordingly - in most cases it will be less than 1/4". Reinstall the four bolts.



Step Three

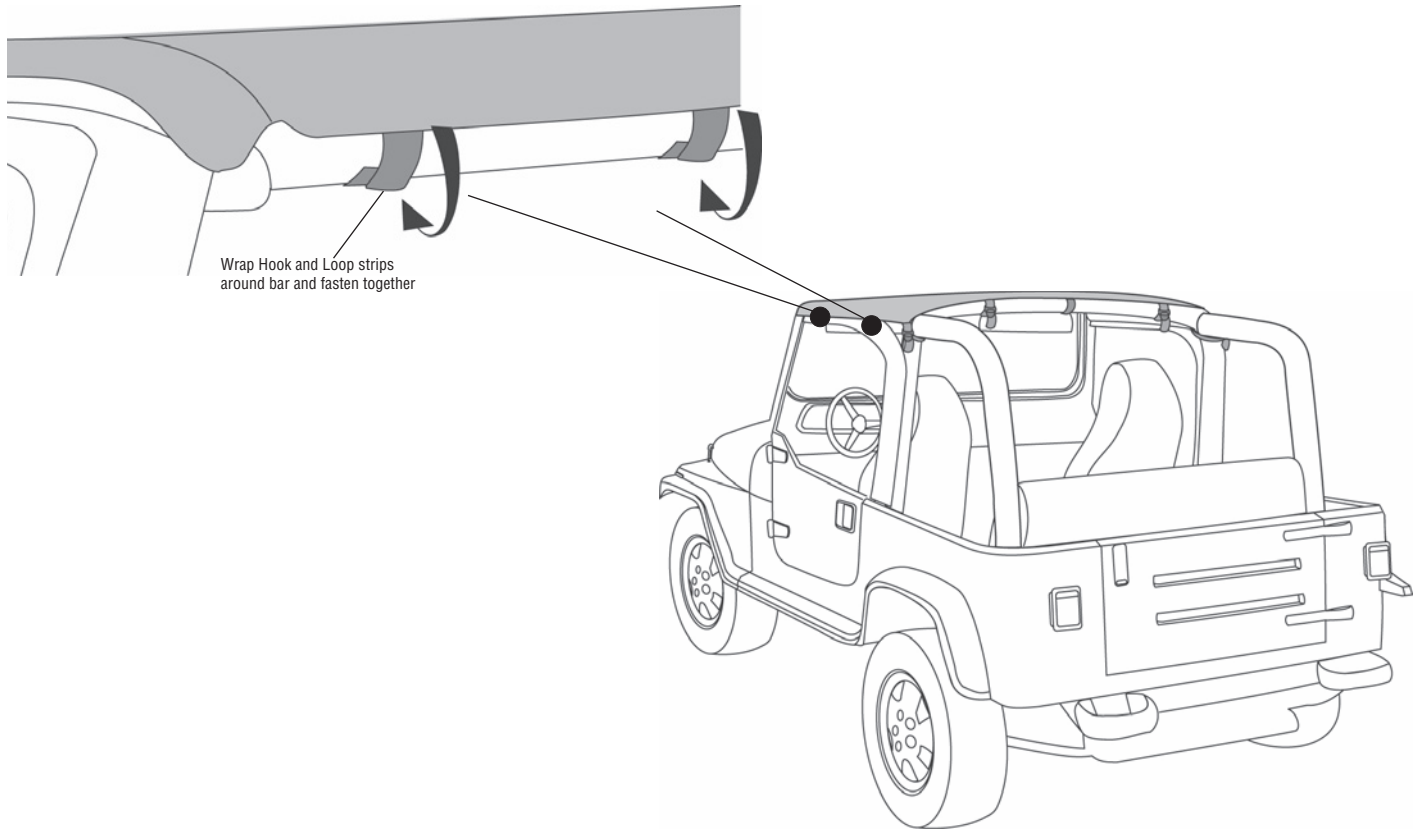
Wrap the straps sewn to the rear corners around the rear sport bar and thread them through the buckles on the rear corners of the Sun Cap.

Locate the sets of hook and loop straps on the rear of the Sun Cap and wrap them around the center sport bar.



Step Four

Locate the hook and loop strips sewn to each side of the Sun Cap. Fasten the strips to each other as you wrap them around the front sport bars.



LIMITED WARRANTY

We warrant our product to be free from defects in material and workmanship, for the terms specified below, provided there has been normal use and proper maintenance. This warranty applies to the original purchaser only. All remedies under this warranty are limited to the repair or replacement of any item or items found by the factory to be defective within the time period specified.

If you have a warranty claim, first you must call our factory at the number below for instructions. You must retain proof of purchase and submit a copy with any items returned for warranty work. Upon completion of warranty work, if any, we will return the repaired or replaced item or items to you freight prepaid. Damage to our products caused by accidents, fire, vandalism, negligence, misinstallation, misuse, Acts of God, or by defective parts not manufactured by us, is not covered under this warranty.

THE WARRANTY TIME PERIOD IS AS FOLLOWS: ALL "SOFT GOODS" MANUFACTURED BY OUR COMPANY (USING PRIMARILY VINYLs, PLASTICS, AND/OR FOAM): ONE YEAR FROM DATE OF PURCHASE.

ANY IMPLIED WARRANTIES OF MERCHANTABILITY AND/OR FITNESS FOR A PARTICULAR PURPOSE CREATED HEREBY ARE LIMITED IN DURATION TO THE SAME DURATION AND SCOPE AS THE EXPRESS WRITTEN WARRANTY. OUR COMPANY SHALL NOT BE LIABLE FOR ANY INCIDENTAL OR CONSEQUENTIAL DAMAGE.

Some states do not allow limitations on how long an implied warranty lasts, or the exclusion or limitation of incidental or consequential damages, so the above limitations or exclusions may not apply to you.

This warranty gives you specific legal rights, and you may also have other rights which vary from state to state.

For further information or request for warranty work, please contact: Customer Service
877-638-9509