



70107

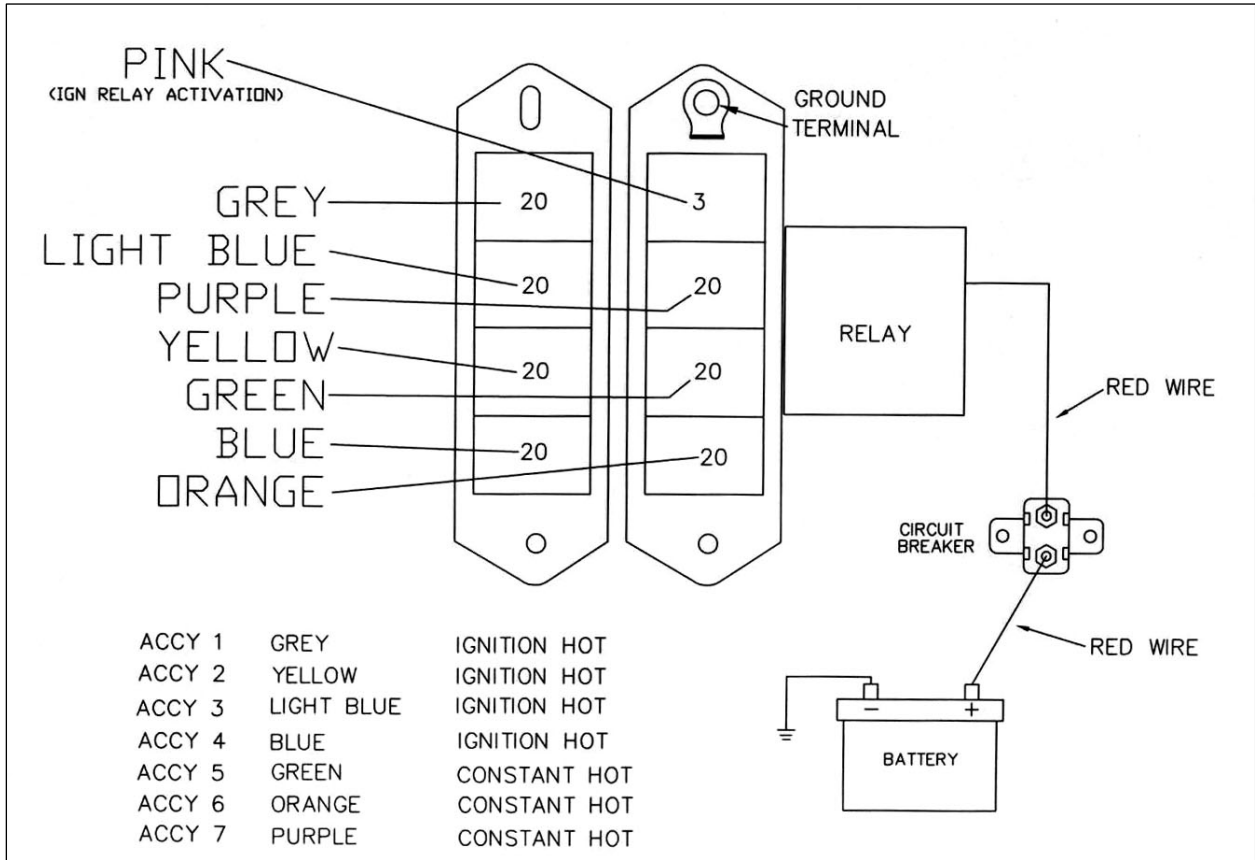
CIRKIT BOSS/7 CIRCUIT INSTALLATION INSTRUCTIONS

THIS KIT IS A MULTIPLE CIRCUIT FUSEBLOCK THAT PROVIDES ADDITIONAL ELECTRICAL CIRCUITS WITHOUT ANY EXTRA STRAIN ON THE FACTORY ELECTRICAL SYSTEM.

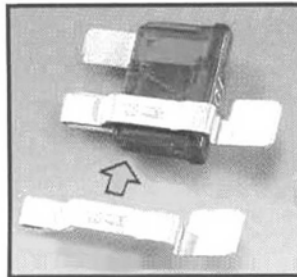
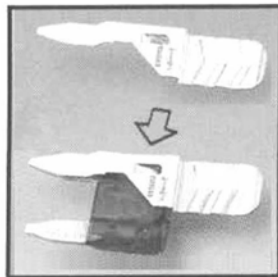
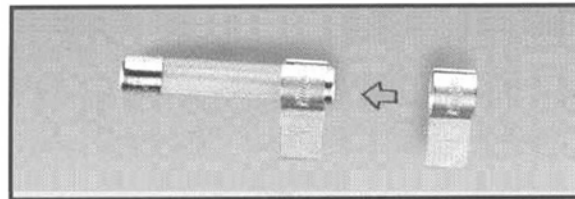
THIS FUSEBLOCK ASSEMBLY IS DESIGNED WITH 7 CIRCUITS, 3 HAVE CONSTANT POWER AND 4 ARE POWERED ONLY WHEN THE IGNITION IS TURNED ON.

- A: (USING THE SCREWS PROVIDED) MOUNT THE FUSEBLOCK ASSEMBLY IN A CONVENIENT LOCATION WHERE THE FUSES ARE SERVICEABLE. IF ADDITIONAL SPACE IS NEEDED BETWEEN THE FUSEBLOCK AND THE MOUNTING SURFACE YOU CAN USE THE SPACERS PROVIDED.
- B: USING A TEST LIGHT, FIND A FUSE IN THE FACTORY FUSEBLOCK THAT HAS POWER ONLY WHEN THE IGNITION SWITCH IS IN THE ON POSITION. REMOVE THE FUSE, TEST TO SEE WHICH SIDE OF THE FUSE TERMINAL IS HOT AND INSTALL ONE OF THE FUSE TAPS ON THAT SIDE OF THE FUSE, REINSTALL THE FUSE. **NOTE: BE SURE THE FUSE TAP IS ON THE HOT TERMINAL SIDE IN THE FACTORY FUSEBLOCK.**
- C: ROUTE THE SMALL 18 GAUGE PINK WIRE FROM THE FUSEBLOCK ASSEMBLY TO THE FUSE TAP IN THE FACTORY FUSEBLOCK, CUT TO PROPER LENGTH AND INSTALL THE 1/4" PUSH ON TERMINAL PROVIDED. THIS TERMINAL THEN IS INSTALLED ON THE FUSE TAP.
- D: ROUTE THE 10 GAUGE RED WIRE TOWARD THE BATTERY. MOUNT THE IN LINE CIRCUIT BREAKER CLOSE TO THE BATTERY (ON THE FIREWALL OR INNER FENDER PANEL), CUT TO LENGTH THE RED WIRE AND ATTACH IT TO THE CIRCUIT BREAKER WITH THE TERMINAL PROVIDED. ATTACH THE REMAINDER OF THE RED WIRE BETWEEN THE BATTERY AND CIRCUIT BREAKER WITH TERMINALS PROVIDED.
- E: AFTER ALL CONNECTIONS ARE MADE, NOW ROUTE THE ACCESSORY POWER WIRES TO THEIR NEEDED LOCATIONS.

NOTE: ALL POWER WIRES ARE RATED AT 20 AMPS. CAUTION SHOULD BE USED NOT TO OVERLOAD ANY CIRCUITS. BE SURE THAT THE GROUND WIRE IS PROPERLY GROUNDING WHEN THE FUSEBLOCK IS MOUNTED ON PLASTIC OR FIBERGLASS COMPONENTS.



FUSE TAP INSTALLATION



Painless Performance Limited Warranty and Return Policy

Chassis harnesses and fuel injection harnesses are covered under a lifetime warranty.

All other products manufactured and/or sold by Painless Performance are warranted to the original purchaser to be free from defects in material and workmanship under normal use. Painless Performance will repair or replace defective products without charge during the first 12 months from the purchase date. No products will be considered for warranty without a copy of the purchase receipt showing the sellers name, address and date of purchase. You must return the product to the dealer you purchased it from to initiate warranty procedures.