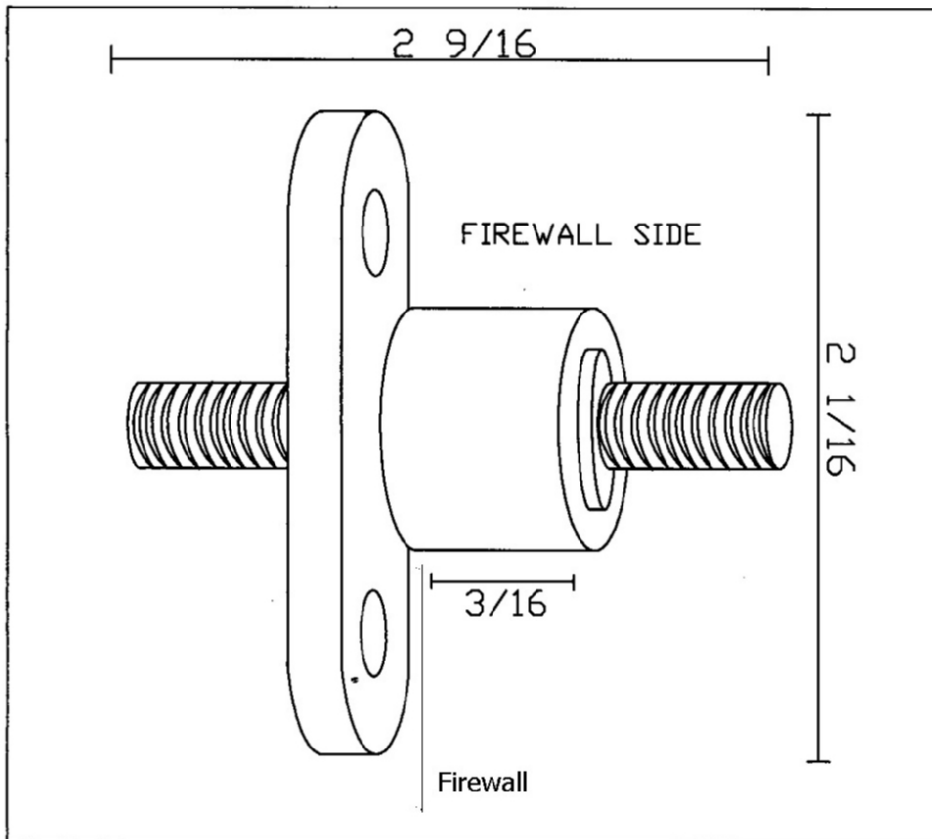




40106 Battery Junction Block Kit



Warning: This unit must be installed with shouldered side to firewall. Failure to do so will result in an immediate and catastrophic failure!!

Figure 1 Note: You will need to drill a 1 inch hole for the shouldered side

Painless Performance Limited Warranty and Return Policy

Chassis harnesses, fuel injection harnesses and Striker ColdShot are covered under a lifetime warranty. All other products manufactured and/or sold by Painless Performance are warranted to the original purchaser to be free from defects in material and workmanship under normal use. Painless Performance will repair or replace defective products without charge during the first 12 months from the purchase date. No products will be considered for warranty without a copy of the purchase receipt showing the sellers name, address and date of purchase. You must return the product to the dealer you purchased it from to initiate warranty procedures.