



# 30805 & 30806

## INSTALLATION INSTRUCTIONS

THIS KIT IS FOR CONVERTING TO A GM KEYED STEERING COLUMN OR REPLACING WORN OR DAMAGED CONNECTORS.

### IGNITION SWITCH COLOR CODES (WHITE HOUSING)

BROWN	ACCESSORY
RED	BATTERY POWER (B+)
PINK	IGNITION COIL (USES SMALLER WIRE SIZE TERMINAL)
PURPLE	START

### IGNITION SWITCH COLOR CODES (BLACK HOUSING)

RED	BATTERY POWER (B+)
ORANGE	ACCESSORY

**NOTE:** THE ORANGE WIRE REQUIRES A LARGER TERMINAL (COPPER COLOR) THAN THE OTHER WIRES.

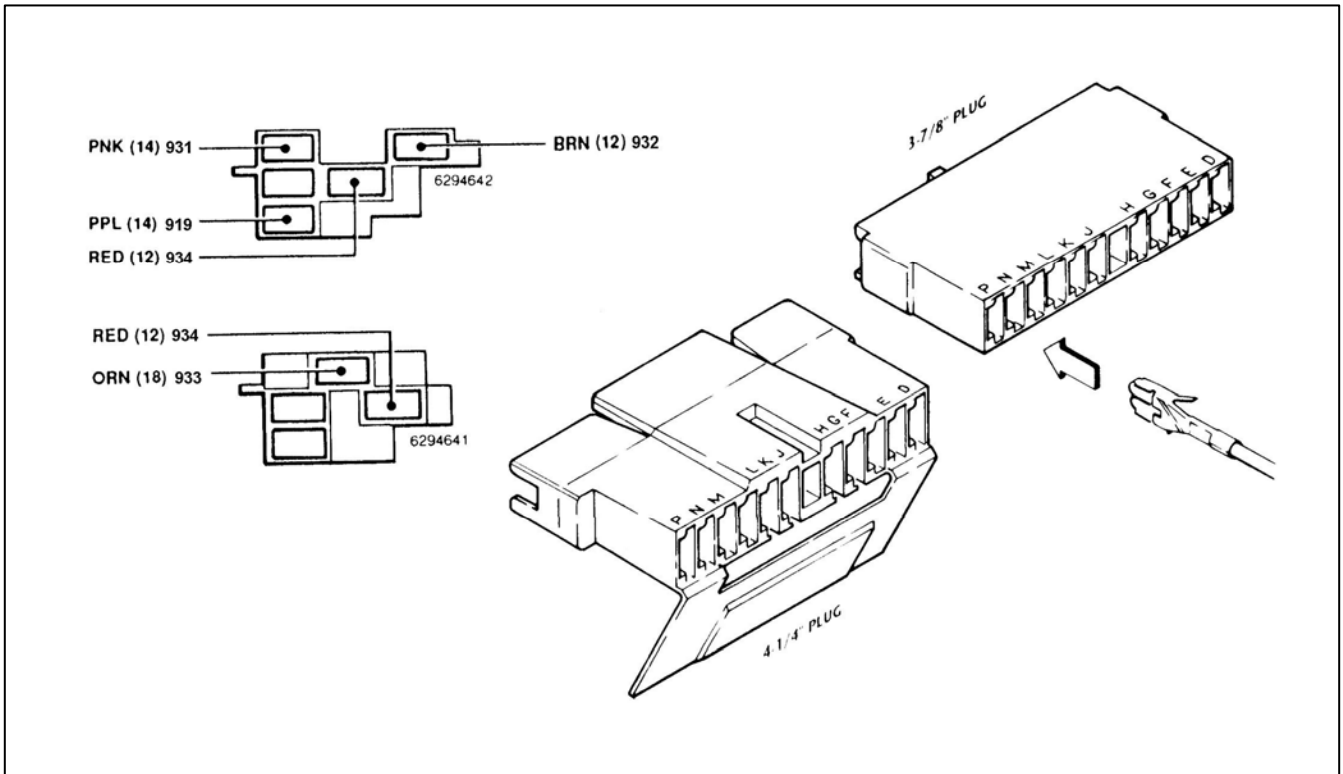
### TURN SIGNAL COLOR CODES (BLACK AND WHITE HOUSINGS) WIRE PORT

BLACK	HORN GROUND	G
LT.BLUE	LEFT FRONT TURN	H
BLUE	RIGHT FRONT TURN	J
BROWN	HAZARD POWER	K
PURPLE	TURN SIGNAL POWER	L
YELLOW	LEFT REAR TURN	M
GREEN	RIGHT REAR TURN	N
WHITE	BRAKE LIGHT INPUT	P

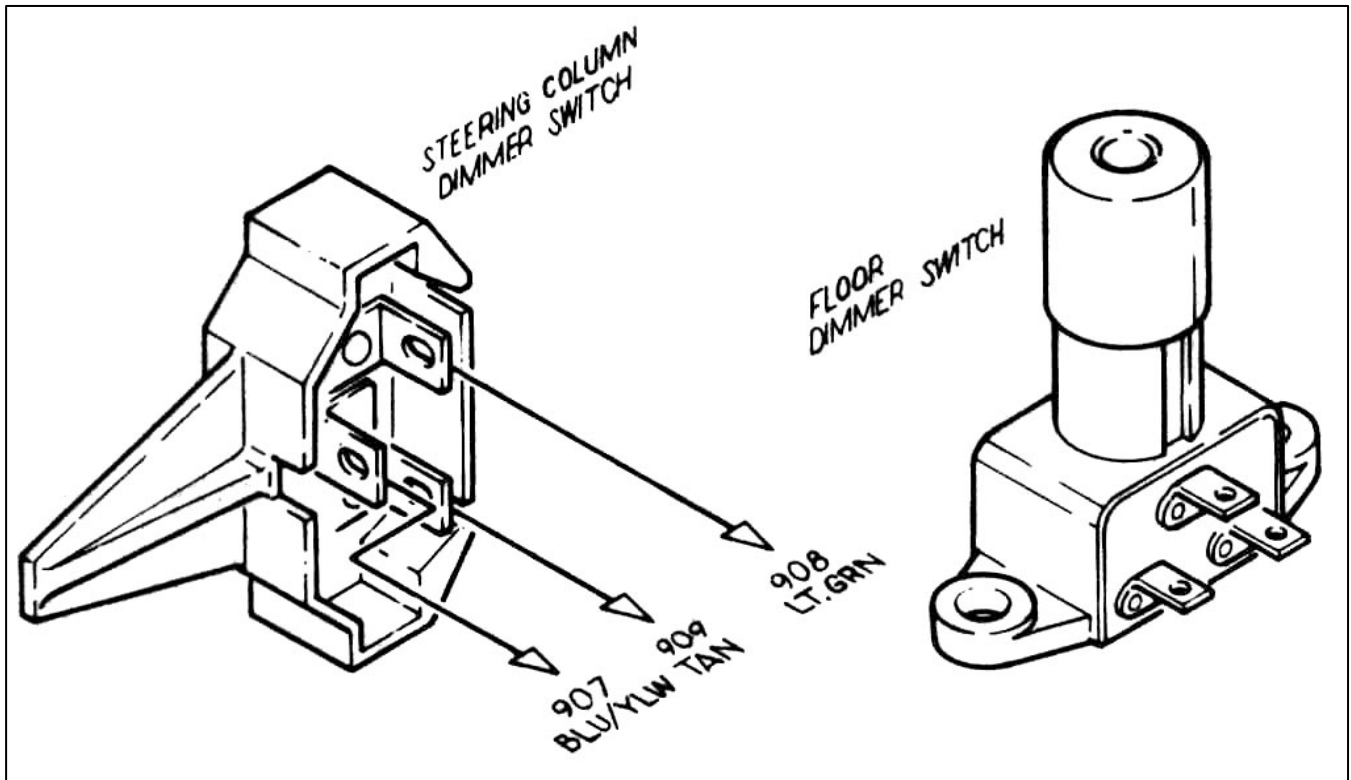
### DIMMER SWITCH COLOR CODES (BLACK PYRAMID HOUSING)

BLUE/YELLOW	POWER FROM LIGHT SWITCH
TAN	LOW BEAM LIGHTS
LT.GREEN	HIGH BEAM LIGHTS

**NOTE:** THE COLUMN MOUNTED AND FLOOR MOUNTED SWITCHES USE THE SAME CONNECTOR ASSEMBLY.



**General Motors Turn Signal Connector**



**Dimmer Switches**

## **Painless Performance Limited Warranty and Return Policy**

Chassis harnesses and fuel injection harnesses are covered under a lifetime warranty. All other products manufactured and/or sold by Painless Performance are warranted to the original purchaser to be free from defects in material and workmanship under normal use. Painless Performance will repair or replace defective products without charge during the first 12 months from the purchase date. No products will be considered for warranty without a copy of the purchase receipt showing the sellers name, address and date of purchase. You must return the product to the dealer you purchased it from to initiate warranty procedures.