



Wire Harness Installation Instructions

For Installing:

- #10101 Classic Customizable Harness-GM Keyed Column-21 Circuit
- #10102 Classic Customizable Harness-Non GM Keyed Column-21 Circuit
- #10103 Classic Customizable Pickup Harness-GM Keyed Column-21 Circuit
- #10104 Classic Customizable Pickup Harness-Non GM Keyed Column-21 Circuit
- #10201 Classic Plus Customizable Harness-GM Keyed Column-28 Circuit
- #10202 Classic Plus Customizable Harness-Non GM Keyed Column-28 Circuit
- #10203 Classic Plus Customizable P/U Harness-GM Keyed Column-28 Circuit
- #10204 Classic Plus Customizable P/U Harness-Non GM Keyed Column-28 Circuit
- #20103 Classic Customizable Muscle Car Harness – 21 Circuit
- #20104 Classic Plus Customizable Muscle Car Harness – 28 Circuit

Manual #90501



NOTE :

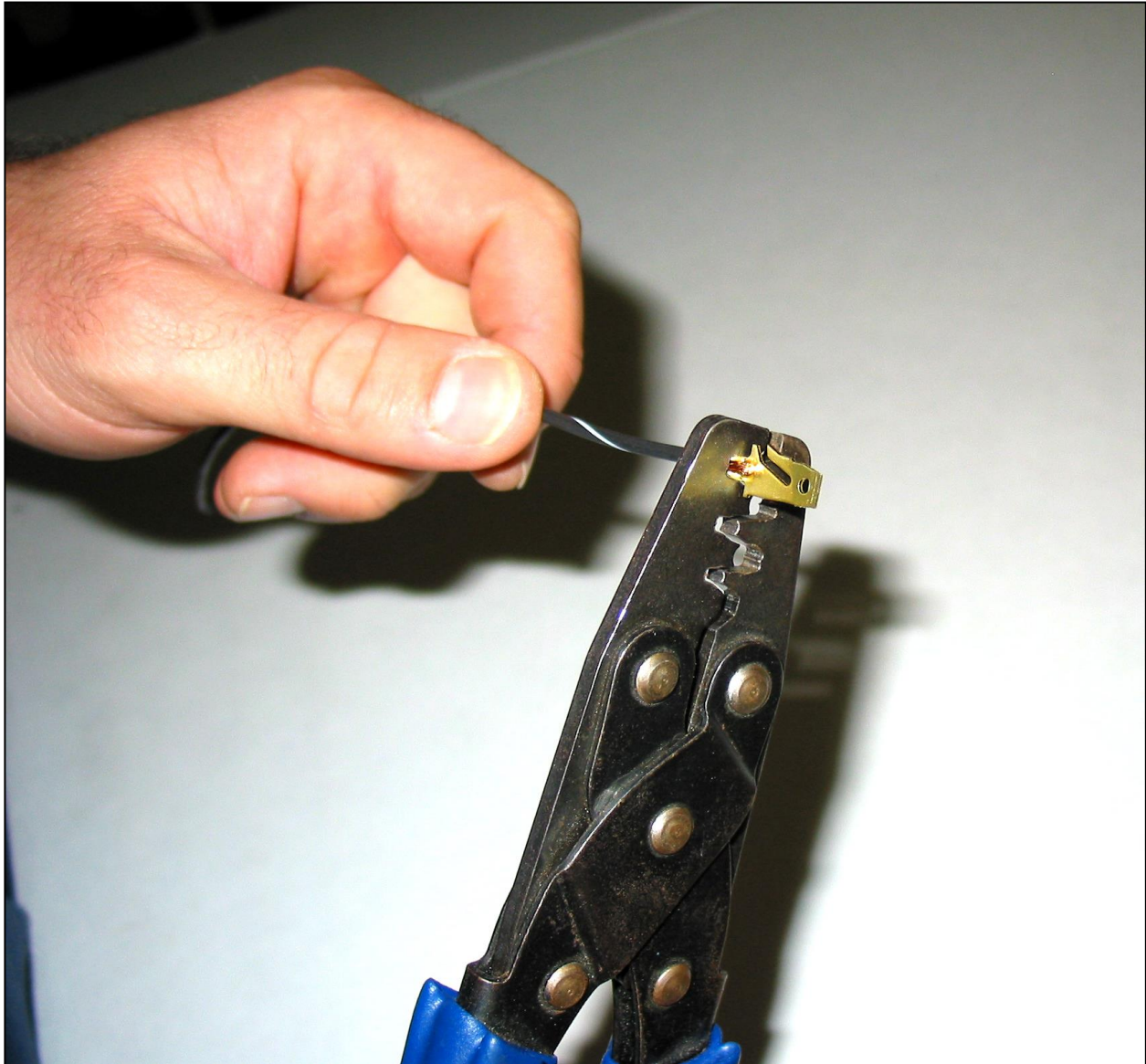
If your vehicle has an existing harness, you will want to retain it for the possible re-use of various Pigtails & Connector housings, particular to your application.

If you do not have an existing harness, there is a package of terminals included with the harness that will enable you to make most of the connections needed.

Replacement lighting pigtails & sockets can be readily obtained from your local parts distributor.

20101-20104 Harnesses

Painless Performance has included 20 extra male and female bulkhead terminals in these harness kits. Use these extra terminals to run wires through the firewall using the male and female bulkhead connectors on the harness. See below for instructions on how to use these terminals. The terminals we have provided you are designed for wire gauges 18-14. Strip $\frac{1}{4}$ " of the insulation from the wire and then crimp it to the terminal using the correct terminal crimping tool. These terminals are roll crimp style. You can purchase this type of terminal crimper from Painless (part # 70900). See below for a picture of the correct terminal crimping tool and how to use them. Take a look at how the terminals we inserted into the bulkhead connector here at the factory. Notice they are orientated a certain direction. Insert the blade (male) terminal into the engine compartment side bulkhead connector. Insert the female terminal into the passenger compartment side of the bulkhead connector.



1.0 INTRODUCTION

You have purchased what we at Painless Performance Products believe to be the most up-to-date and easiest-to-install automotive wire harness on the market. It is designed for easy installation, even if you have no electrical experience.

All kits have a built-in-anti-theft feature. Removing the fuse labeled "coil" from the fuse block will prevent the vehicle from starting.

The proper fuses have been pre-installed in the fuse block. In addition, all wires are color-coded. This will help you identify the different circuits during installation and later on if additions to the overall system are necessary. For fuse specifications and wire color designations, see **Section 11.0**.

In addition all of our kits have "accessory" terminals at the front of the fuse block for your convenience. These terminals may be constantly hot or "switched" hot but all are un-fused. If you plug into one of these terminals you must provide your own in-line fuse or circuit breaker.

The Painless wire harness is designed to be used in vehicles with a General Motors - keyed steering column, or other steering columns, depending on the kit purchased. All wire is 600 volt, 125°C, TXL. Standard automotive wire is GPT, 300 volt, 80°C, with PVC insulation.

This complete automobile wiring system has been designed with three major groups incorporated into it:

ENGINE/HEADLIGHT GROUP

Includes high beam, low beam, park, right turn, left turn, electric fan, horn, starter solenoid and battery feed, alternator and alternator exciter wire, distributor, water temperature, oil pressure, and air conditioning.

DASH GROUP

Includes wires to connect gauges, indicator lights, and switches to their proper sources. Trunk accessory, door locks, power windows, and electric fuel pump are included in the 18-circuit kit.

REAR LIGHT GROUP

Includes tail lights, dome lights (see Paragraph 10.4.2), left and right turn signals, brake lights, and fuel sender.

Installation requires four (4) easy steps:

1. Mount the fuse block
2. Route the wires
3. Cut off the excess wire
4. Terminate the wires

2.0 ABOUT THESE INSTRUCTIONS

The contents of these instructions are divided into major **Sections**, as follows:

- 1.0 Introduction
- 2.0 About These Instructions
- 3.0 Tools Needed
- 4.0 Contents of Painless Wire Harness Kit
- 5.0 Pre-Installation and General Harness Routing Guidelines
- 6.0 General Harness Installation Instructions
- 7.0 GM - Specific Circuit Connection Details
- 8.0 Ford - Specific Circuit Connection Details
- 9.0 Mopar - Specific Circuit Connection Details
- 10.0 All Makes - Specific Circuit Connection Details
- 11.0 Wire Connection Index and Fuse Requirements

Sections are divided into subsections and **Paragraphs**. Throughout these instructions, the **Figure** numbers refer to illustrations and the **Table** numbers refer to information in table form. These are located in Sections or Paragraphs corresponding to the number. Always pay special and careful attention to any *Notes*, especially those in the Tables, and any text marked **Caution**.

3.0 CONTENTS OF THE PAINLESS WIRE HARNESS KIT

- A** The Main Wire Harness, with the Fuse Block wired in and fuses installed.
- B** Headlamp Connector Cables. (Extra Headlamp Cables are available separately under P/N 80300.)
- C** Maxi Fuse
- D** Firewall Grommet (large) [NOT INCLUDED IN 20103 AND 20104 KITS]
- E** 2 Fender Well Grommets (for Headlamps)
- F** 2 packages of Nylon Tie Wraps
- G** 2 GM Turn Signal Connectors (if applicable)
- H** Parts Box, containing a GM Alternator Connector, Terminals, Splices, etc. This booklet, P/N 90501 Painless Wiring Manual.

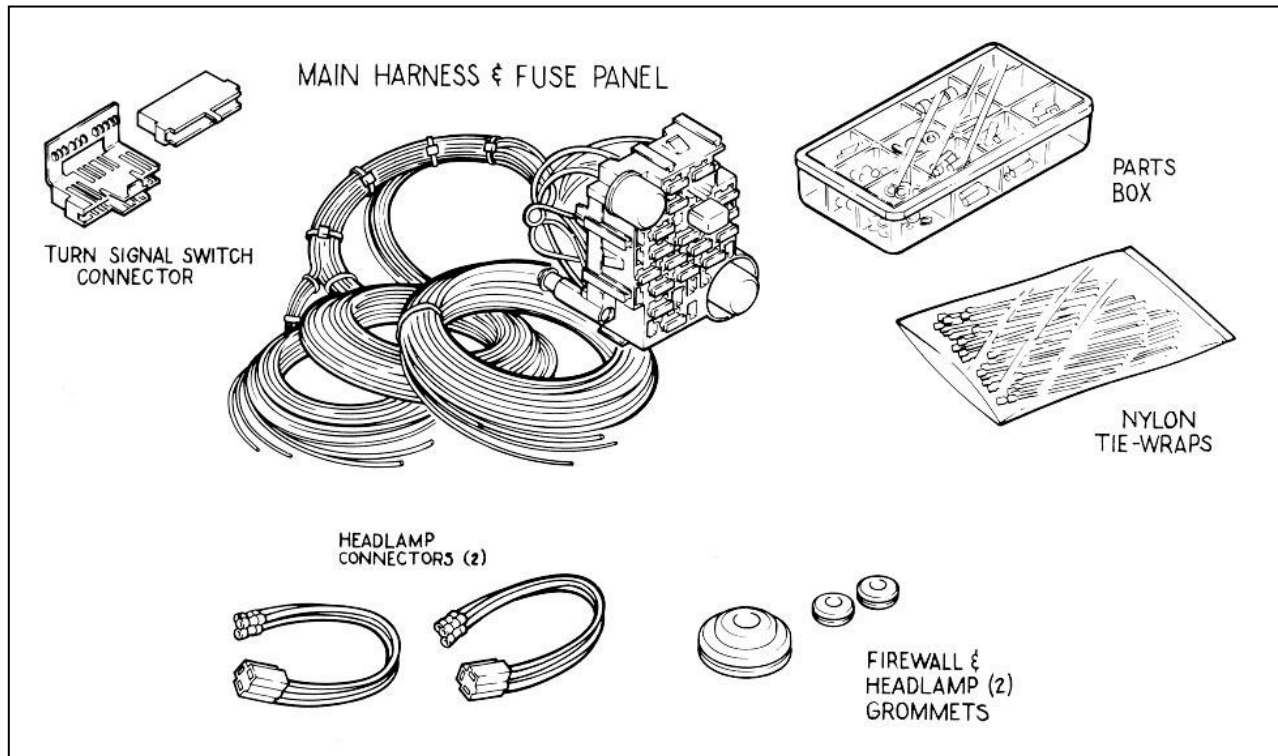


Figure 3-1 The Painless Wire Harness Kit

Note: This drawing shows some parts found only in the GM column kits.

4.0 TOOLS NEEDED

In addition to your regular tools, you will need, at least, the following tools:

- Crimping Tool *Note: Use a quality tool to avoid over-crimping.*
- Wire Stripper
- Test Light or Volt Meter
- Electric Drill
- 1-1/4" Hole Saw
- Small (10 amp or less) Battery Charger

5.0 PRE-INSTALLATION AND GENERAL HARNESS ROUTING GUIDELINES

The installation of your wire harness mainly consists in two parts:

- The physical routing and securing of the wire harness, wires, and groups.
- The proper connection of the individual circuits.

These two major tasks are not separate steps, but are integrated together. That is, you will route some wires and make some connections, route some more wire and make some more connections.

We cannot tell you how to physically route the harness in your automobile. That depends a great deal upon the particular make of automobile and to what extent you want to secure and conceal the harness. We do offer some general guidelines and routing practices starting in **Section 5.2**, GENERAL installation instructions in **Section 6.0**, and precise instructions concerning the electrical connections you will have to make in beginning in **Section 7.0**. To help you begin thinking through the installation of your wire harness, read the following sections:

- 5.1** Familiarize yourself with the harness by locating each of the harness sections in the following list. (Whenever a particular harness section is referred to in these instructions it is shown "all caps": ENGINE SECTION A.) Note that, according to the particular harness you have purchased, some of these sections may not be present, and some are not labeled:

ACCESSORY SECTION SWITCHES	HEADLIGHT SECTION A
ACCESSORY SECTION B+	HEADLIGHT SECTION B
DIMMER SWITCH SECTION	IGNITION SWITCH SECTION
DOOR SECTION A	INSTRUMENT PANEL SECTION
DOOR SECTION B	RADIO SECTION
ENGINE SECTION	SPEAKER SECTION
ENGINE SECTION (Single, 10 ga. red wire)	TAIL SECTION
ENGINE SECTION A	TURN SIGNAL SECTION

*Note: For complete information concerning the individual circuits and wires that make up the harness SECTIONS, see **Section 11.0**.*

- 5.2** Decide where the fuse block will be mounted. The Painless Wire Harness is designed for the fuse block to be mounted on the driver's side, under the dash.
- 5.3** Decide which of the following circuits you will be using in your system and where the harness groups or wires will be routed:

ROUTING LOCATION AND PLACEMENT

Emergency Flashers	
Horn	
Dome Lights	
Lights	
Power Windows*	
Power Door Locks*	
Cigarette Lighter*	
Wipers	
Electric Fuel Pump*	
Air Conditioner	
Electric Cooling Fan	
Coil	
Trunk Light*	
Turn Signals	
Radio Ignition Switched Power	
Radio Constant Power	
Power Antenna*	
Gauges	
Accessories	
Backup Lights*	
Cruise Control*	

*These circuits are included in the 18-circuit kit only.

5.4 Where will the following harness groups be routed?

Headlights	
Engine	
Dash	
Tail Lights	
Doors and Speakers	

- 5.5** A good exercise is to lay out the wire harness on the floor beside your automobile and identify all the SECTIONS. You will want to route the harness through and around open areas. Inside edges provide protection from hazards and also provide places for tie wraps, clips and other support.
- 5.6** Route the harness away from sharp edges, exhaust pipes, and hood, trunk and door hinges.
- 5.7** Plan where harness supports will be located. Allow enough slack at places where movement could occur (body to frame, frame to engine, etc.). Use a support every 12 inches unless the harness routes under the floor carpet.
- 5.8** At wire ends don't depend on the terminals to support the harness. The weight of the harness could cause terminals to disconnect or copper wire strands to break.
- 5.9** The wires should be bundled into groups. Use nylon ties, Powerbraid, or tape.

6.0 HARNESS GENERAL INSTALLATION INSTRUCTIONS

6.1 Rough Installation

CAUTION: DISCONNECT THE POWER FROM YOUR VEHICLE BY REMOVING THE NEGATIVE (BLACK) BATTERY CABLE FROM THE BATTERY.

Note: Make no wire connections or permanent mounting of any kind at this time!

- 6.1.1** Position the fuse block in its mounting area.
- 6.1.2** If using the 20103 / 20104 harness, check the opening in your firewall with the template on pg. 32. Some modification may be necessary.
- 6.1.3** If installing a grommet style pass thru harness, drill a 1-1/4" (1.25") hole near the fuse block for engine and headlight group wires to pass through (ENGINE SECTION, ENGINE SECTION A, SINGLE 10 GA. (Red wire #916), and HEADLIGHT SECTION A).
- 6.1.4** Install the Firewall grommet. Route engine and headlight group wires through the grommet and position the harness groups in the areas decided upon in **Sections 5.3** and **5.1**.
- 6.1.5** Route dash group (ACCESSORY SECTION B+, ACCESSORY SECTION SWITCHES, HEADLIGHT SECTION B, INSTRUMENT PANEL SECTION and RADIO SECTION) upward to rear of dash and temporarily tie in place.
- 6.1.6** Position rear group, consisting of DOOR SECTIONS A & B and SPEAKER SECTION (both in 18-circuit kits only) and TAIL SECTION, on floor pan area decided upon in **Sections 5.3** and **5.4**.

6.2 Harness Attachment

Note: Harness routing and shaping is and should be a time-consuming task. Taking your time will enhance the beauty of your installation. Please be patient and TAKE YOUR TIME!

- 6.2.1** Permanently mount the fuse block. (Note: The fuse block itself does not have to be grounded.)
- 6.2.2** Mold harness groups to the contour of floor pan, firewall, fender panels, and any other area where wires or harness groups are routed. Remember to route the harness away from sharp edges, exhaust pipes, hood, trunk and door hinges, etc.
- 6.2.3** Attach harness groups to your automobile with clips or ties starting at the fuse block and working toward the rubber grommet for the front groups and along the floor pan for the rear group. The dash wires should be routed out of the way of any under-dash obstacles, such as cowl vent, air conditioning, radio, etc.

Note: Do not tighten tie wraps and mounting devices at this time. Make all harness attachments LOOSELY.

- 6.2.4** When used every 1-1/2" or so on the visible areas of the harness, the plastic wire ties make a very attractive assembly. A tie installed in other areas every 6" or so will hold the wires in place nicely. Remember to take your time!

6.3 Grounding the Automobile

A perfectly and beautifully wired automobile will nevertheless have bugs and problems if everything is not properly grounded. Do not go to the careful effort of installing a quality wire harness only to neglect proper grounding.

Note: The Painless Wire Harness Kit includes no ground wire except the black wire from the two headlamp connectors. You must supply ground wire (14-16 gauge) for all circuits.

- 6.3.1 Connect a Ground Strap or Cable (**2 GA Minimum**) from the negative terminal of the battery to the engine block
- 6.3.2 Connect a Ground Strap from the Engine to the chassis. **DO NOT RELY UPON THE MOTOR MOUNTS TO MAKE THIS CONNECTION.**
- 6.3.3 Connect a Ground Strap from the Engine to the Body.
- 6.3.4 If you have a fiberglass body you should install a terminal block to ground all your Gauges and Accessories. Ground the Terminal Block with at least a 12-gauge wire to the chassis.

6.4 Terminal Installation and Making Connections

*Note: In the following steps you will be making the circuit connections. Before you start, you should carefully read **Sections 7.0 through 10.0**, as appropriate, and continually refer to **Section 11.0**, **DOUBLE-CHECKING** your routing and length calculations before cutting any wires and making connections. Give special attention to Turn Signal and Ignition Switch connections. These can be somewhat confusing.*

- 6.4.1 Have all needed tools and connectors handy.
- 6.4.2 Select the correct size terminal for the wire and stud application.
- 6.4.3 Determine the correct wire length and cut the wire. Remember to allow enough slack in the harness and wires at places where movement could possibly occur, such as automobile body to frame, frame to engine, etc. **Double-check your calculations.**
- 6.4.4 Strip insulation away from wire. Strip only enough necessary for the type of terminal lug you are using.

Note: In the following step, make sure that the terminal is crimped with the proper die in the crimping tool. An improper crimp will NOT make a good connection.

- 6.4.5 Crimp the terminal onto the wire.

CAUTION: DO NOT OVER-CRIMP!

- 6.4.6 Connecting the harness throughout the groups is a redundant process. Make sure that each wire is FIRST properly routed and THEN attach. **DO NOT ATTACH FIRST THEN ROUTE AFTERWARD.**
- 6.4.7 When all wires are attached, tighten the mounts and ties to secure harness permanently.

6.5 Testing The System

- 6.5.1 Use a small (10 amp or less) battery charger to power up the vehicle for circuit testing. If there is a problem anywhere, the battery charger's low amperage and internal circuit breaker will provide circuit protection.

CAUTION: IF YOU HAVE NOT YET DISCONNECTED THE BATTERY FROM THE AUTOMOBILE, DO SO NOW! DO NOT CONNECT THE BATTERY CHARGER WITH THE BATTERY CONNECTED.

Connect the battery charger's NEGATIVE output to the automobile chassis or engine block and its POSITIVE output to the automobile's positive battery terminal.

- 6.5.2 INDIVIDUALLY turn on each light, ignition, wiper circuit, etc. and check for proper operation.

Note: The turn signals will not flash properly if you do not have both the front and rear bulbs installed and connected.

- 6.5.3 When all circuits check out THEN attach the battery cable to the battery for vehicle operation.

7.0 GM - SPECIFIC CIRCUIT CONNECTIONS

Note: Your alternator may not appear exactly as represented in the **Figures**. The circuits are wired the same way, though.

7.1 Early GM Alternator - External Regulator. See Figure 7-1.

- 7.1.1 With a short 16-gauge jumper wire, connect Voltage Regulator terminals 3 & 4 together. Connect ENGINE SECTION wire #914 (wht) to Voltage Regulator terminal 3 or 4.
- 7.1.2 Connect ENGINE SECTION wire #915 (red) to the Alternator Output lug (Bat).
- 7.1.3 Connect a 14-gauge wire from Voltage Regulator terminal 2 to Alternator terminal R. Connect a 14-gauge wire from Voltage Regulator terminal F to Alternator terminal F.
- 7.1.4 Connect a 16-gauge ground wire from the Alternator Ground lug (G) to chassis ground.

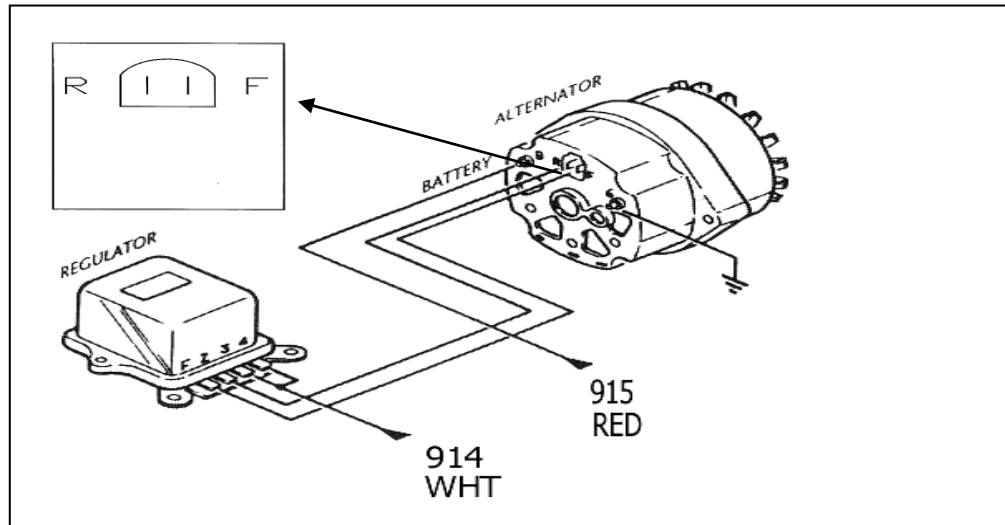


Figure 7-1 Early GM Alternator - External Regulator

7.2 Late GM Alternator - Internal Regulator. See Figure 7-2A.

- 7.2.1 Connect ENGINE SECTION wire #914 (wht) to Alternator terminal 1. Connect ENGINE SECTION wire #915 (red) to the Alternator Output lug (Bat).
- 7.2.2 Connect a short 14-gauge jumper wire from Alternator terminal 2 to the Alternator Output lug (Bat).
- 7.2.3 A connector and terminal spades for late GM Alternators are included in the parts box.

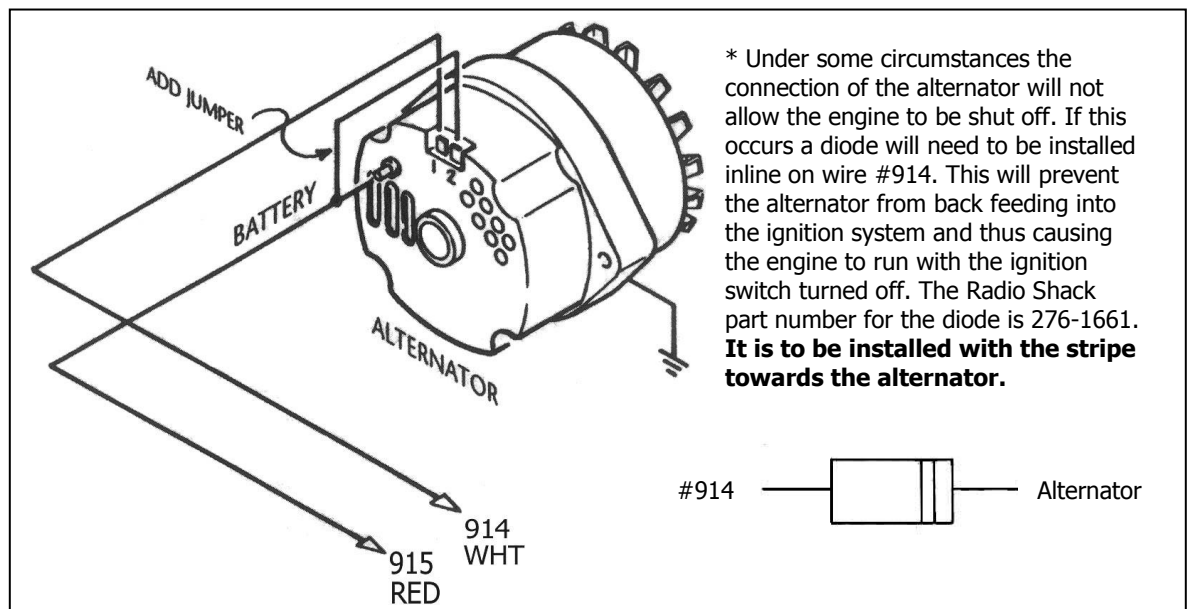


Figure 7-2A Late GM Alternator - Internal Regulator

GM One-Wire Alternator.

- 7.2.4** Connect ENGINE SECTION wire #915 (red) to the Alternator Output lug (Bat). Insulate and stow ENGINE SECTION wire #914 (wht). Do not install jumper wire. No wires are connected to Alternator terminals 1 & 2. If alternator output is greater than 65 amps refer to Figure 7-2B and the caution on page 6.
- 7.2.5** When using a 1-wire alternator you must use a voltmeter or ammeter. A WARNING LIGHT CANNOT BE WIRED IN.

CAUTION: IF USING AN ALTERNATOR WITH AN OUTPUT LARGER THAN 65 AMPS, YOU WILL ALSO NEED TO USE THE RED 10 GAUGE WIRE #960 AND THE RED 8 GAUGE WIRE INCLUDED IN THE BOX. THE WIRE END WITH THE RING TERMINAL AND RUBBER BOOT WILL CONNECT TO THE ALTERNATOR OUTPUT LUG WITH #915. ROUTE THE OTHER END TO THE MAXI FUSE TERMINAL WITH WIRE #916. CUT THE WIRE AND CRIMP ON A RING TERMINAL. NOW INSTALL A RING TERMINAL ON THE REMAINING RED 8 GAUGE WIRE AND ATTACH IT TO THE STARTER SIDE TERMINAL OF THE MAXI FUSE. CUT THE 8 GAUGE RED WIRE TO LENGTH, CRIMP ON A RING TERMINAL AND ATTACH IT TO THE MAIN SOLENOID LUG WITH THE POSITIVE BATTERY CABLE. SEE FIGURE 7-2B.

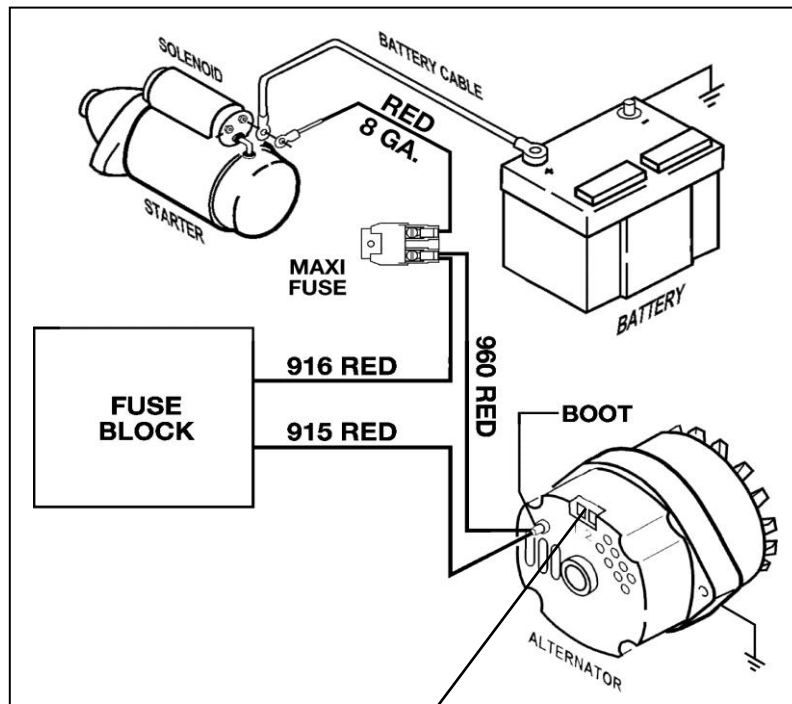


Figure 7-2B High Output Wire

* These terminals will not be used on One Wire alternators. They will normally have a black plastic plug which blocks off the terminals.
** If you do not have a One Wire alternator refer to Figure7-2A.

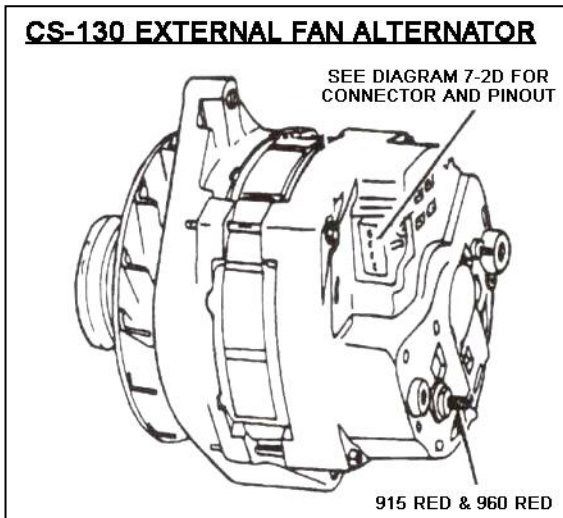
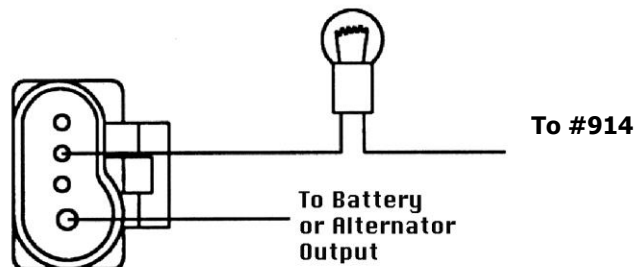


Figure 7-2C CS-130 External Fan Alternator

P/N 30707 GM "CS 130 (External Fan) Alternator Pigtail



NOTE; If not using a charge light, an 82 ohm, 5 watt resistor must be used to prevent premature Regulator failure

Figure 7-2D CS-130 Connector and Pin Out

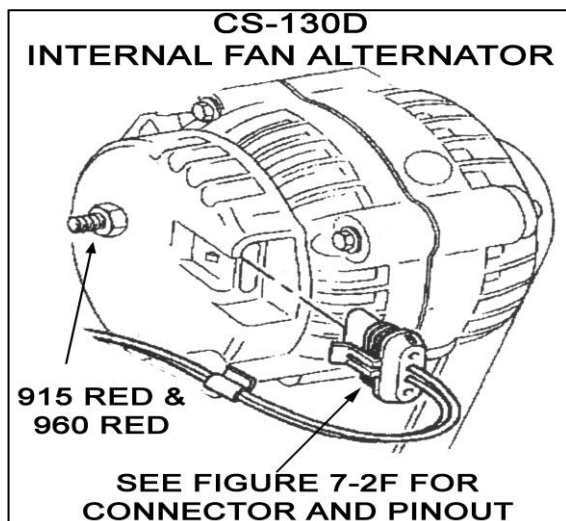
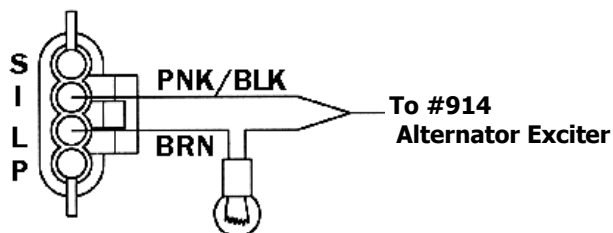


Figure 7-2E CS-130D internal Fan Alternator

P/N 30705 GM "CS 130D" (Internal Fan) Alternator Pigtail



NOTE : If not using a charge light, an 82 ohm 5 watt resistor must be used to prevent premature Regulator failure.

Figure 7-2F CS 130D Connector and Pinout

7.3 GM Ignition (Start/Run) System. See Figure 7-4.

Note: If you are going to install an ammeter, see Section 10.3 first.

7.3.1 With crimping tool, attach Maxi Fuse (**Figure 7-3**) onto end of ENGINE SECTION (single) 10 ga. wire #916 (red) AFTER having routed wire from the Fuse Panel to the Starter Solenoid. This serves as a fuse to protect the entire harness. DO NOT OMIT IT!

7.3.2 Connect wire #916 - with Maxi Fuse installed – to the Starter Solenoid Battery terminal. This is the same lug that the large red cable from the battery is normally connected to.

7.3.3 Connect ENGINE SECTION A wire #919 (pur) to the Starter Solenoid Start (S) terminal. (See illustration on page 31)

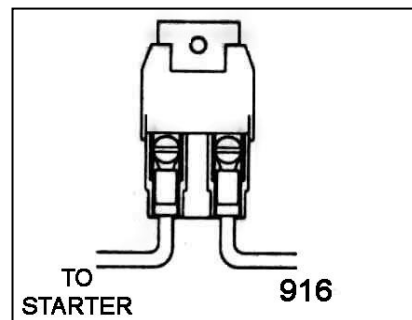


Figure 7-3 Maxi Fuse

7.3.4 If you are using a Ballast Resistor, mount it away from other wiring or hoses. The Ballast Resistor gets very hot during operation. Connect ENGINE SECTION A wire #920 (pnk) to one end of the Ballast Resistor. Connect the other end of the Ballast Resistor to the Ignition Coil B+ terminal with 14-gauge wire (you may have enough pink wire left over to accomplish this). If you are not using a Ballast Resistor, connect wire #920 directly to the Ignition Coil B+ terminal.

Note: The ballast resistor has been deleted from this kit due to lack of consumer usage. If one is needed in your application, please call Painless Performance at 800-423-9696 for assistance.

Important Note! For HEI systems route wire #920 (pnk) to the Distributor and attach it to the terminal labeled BAT. No Ballast Resistor is required.

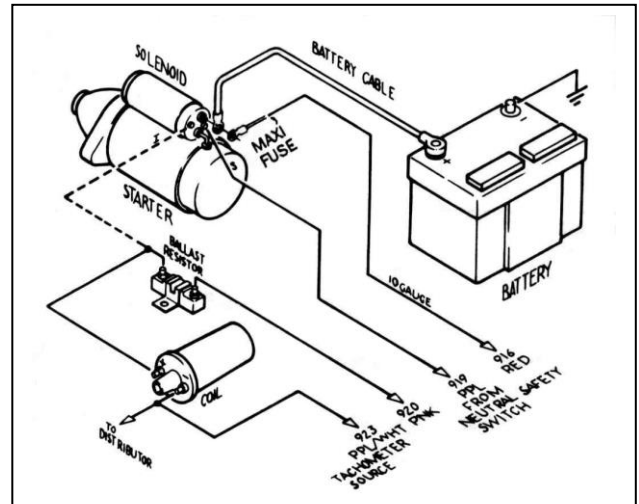


Figure 7-4 GM Ignition (Start-Run) System

7.3.5 The Ignition Coil NEGATIVE (-) terminal is connected to the Distributor. Also Connect ENGINE SECTION A wire #923 (pur/wht) to the Ignition Coil NEGATIVE (-) terminal. This is the tachometer source. If you are not using a tachometer, insulate and stow wire #923.

7.3.6 A 14-gauge wire connected from the Starter Solenoid Ignition (I) terminal to the ignition coil side of the Ballast Resistor is optional. This wire (the dashed line in **Figure 7-4**) serves as a ballast resistor BYPASS during engine starting. However, if the starter solenoid shorts out, which is not unusual, the engine will stop during engine starting and will not restart as long as this wire is connected. You may therefore choose to omit it. If you are not using a Ballast Resistor, leave the Starter Solenoid Ignition (I) terminal unconnected and do not install the bypass wire.

7.4 Steering Column Wiring - Turn Signal & Ignition Switch Connectors

7.4.1 There are two different plugs on most tilt columns. The difference is in the length of the male plug that is mounted ON THE COLUMN. One plug is 3-7/8" (3.875") long and the other is 4-1/4" (4.250"). This is only a difference of 3/8" (0.375"), so measure the plug carefully. The Wire Harness Kit has included two different female connectors to mate with the column-mounted plug. See **Figure 7-5** to determine which female connector is correct for your automobile.

The TURN SIGNAL SECTION wires may have already been terminated for you. If not, cut wires to length and install the terminals provided. Choose the proper plug and install the terminals according to **Table 7-1**, as shown in **Figure 7-5**. The GM wire color codes have been included for reference. **Note:** The terminals will only insert into the connector ONE WAY, as shown in **Figure 7-5**. Make certain you are inserting the wire into the CORRECT LOCATION as the terminals are difficult if not impossible to remove once inserted.

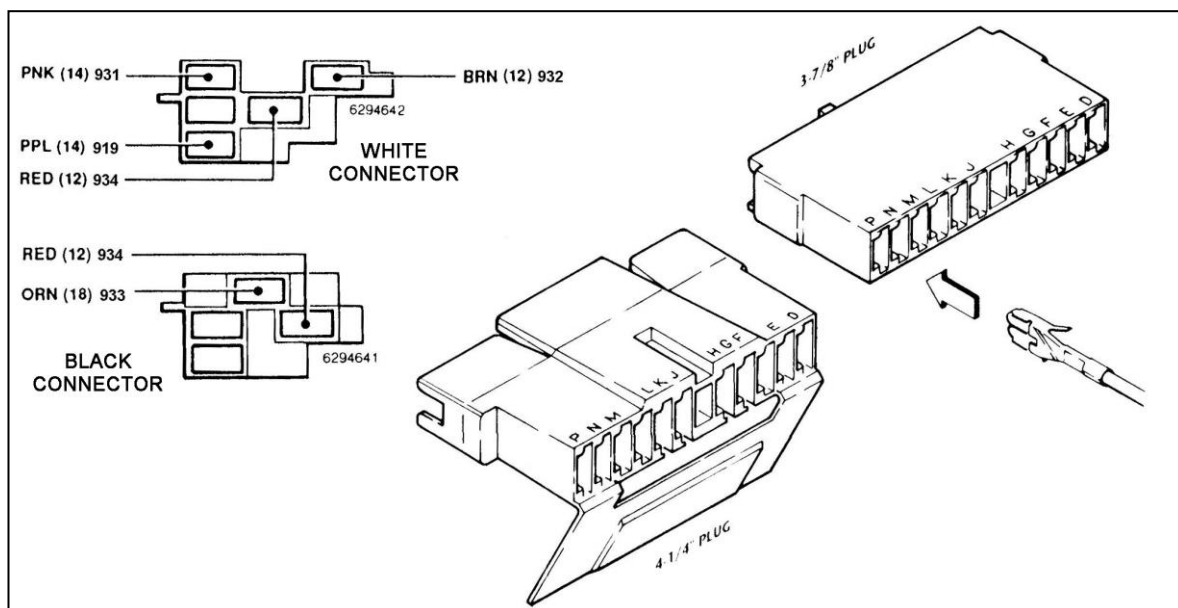


Figure 7-5 GM Turn Signal Connectors

- 7.4.2** Some harness' come with the GM ignition switch connectors pre-wired. See **Table 7-1** and **Figure 7-5** for color codes, wire numbers, and wire designations for the Ignition Switch Connectors.
- 7.4.3** IGNITION SWITCH SECTION wire #919 (pur) has been cut and spade lugs installed on the GM keyed steering column harnesses. These spade lugs are to be connected to the Neutral Safety Switch at the base of the steering column. If using a neutral safety switch on a floor shifter or in the transmission, the two purple wires with the yellow spade lugs must be connected together and the (pur) #919 needs to be routed to the neutral safety switch, cut and connected to it, then continued on to the starter solenoid.
- 7.4.4** The harness does not support seat belt buzzers or key alarms.
- 7.4.5** To supply power to a fuel injection system, use ENGINE SECTION A wire #920 (pnk) as the fused ignition power source.

TURN SIGNAL SECTION				
GM Color	Designation	Painless Wire No.	Painless Color	Turn Signal Connector
Blk	Horn	953	Blk	G
Lt.Blu	LF Turn Signal	926	Lt.Blu	H
Dk.Blu	RF Turn Signal	925	Dk.Blu	J
Brn	Hazard Flasher	951	Brn	K
Pur	Turn Flasher	952	Pur	L
Ylw	LR Turn Signal	949	Ylw	M
Grn	RR Turn Signal	948	Grn	N
Wht	Stop Lamp Switch	918	Wht	P

IGNITION SWITCH SECTION		Painless Wire No.	Painless Color
Pur/Wht	Ignition Start	919	Pur
Pnk	Ignition Coil	931	Pnk
Brn	Accessory Fuse Panel	932	Brn
Orn	Ignition Switched Fuse Panel	933	Orn
Red*	Battery B+	934	Red
Red*	Battery B+	934	Red

* See note 8 on page 28

Table 7-1 GM Ignition & Turn Signal Wiring

8 FORD - SPECIFIC CIRCUIT CONNECTIONS

8.1 Ford Alternator. See Figure 8-1.

Note: Your Alternator may not appear exactly as represented in **Figure 8-1**. however the circuits are wired the same manor..

- 8.1.1** Connect ENGINE SECTION wire #915 (red) to the Alternator Output lug (Bat). Connect ENGINE SECTION wire #914 (wht) to the Voltage Regulator (I) terminal.

CAUTION: IF USING AN ALTERNATOR WITH AN OUTPUT LARGER THAN 65 AMPS, YOU WILL ALSO NEED TO USE JUMPER WIRE #960 (RED), INCLUDED IN BOX. THE WIRE END WITH THE RING TERMINAL AND RUBBER BOOT WILL CONNECT TO THE ALTERNATOR OUTPUT LUG. ROUTE THE OTHER END TO THE STARTER RELAY. CUT THE WIRE AND CRIMP ON A RING TERMINAL. INSTALL ON RELAY TERMINAL WITH CABLE COMING FROM BATTERY. SEE FIGURE 8-1B.

- 8.1.2** Connect a 14-gauge jumper from the Voltage Regulator A terminal to the Alternator Output lug (Bat).

- 8.1.3** Connect a 14-gauge wire from the Voltage Regulator S terminal to the Alternator Stator (S) terminal. Connect a 14-gauge wire from the Voltage Regulator F terminal to the Alternator Field (F) terminal.
- 8.1.4** The Alternator case must be clean, and free from corrosion where it contacts the block. An additional connection, from the ground stud on the rear of the alternator to the engine ground may be needed
- 8.1.5** An alternate (and less-used) method is to omit the Alternator Stator wire, install a 14-gauge jumper across Voltage Regulator terminals A & S, and connect wire #914 to either the A or S terminal of the Voltage Regulator. The FIELD wire and wire #915 are connected as above. Do **NOT** install a jumper as in **Paragraph 8.1.2**. The Voltage Regulator Ignition (I) terminal is not connected. Install ground wires as in **Paragraph 8.1.4**. This alternate configuration is illustrated in dashed lines in **Figure 8-1A**.

NOTE: The base of the Voltage Regulator **MUST** be grounded in order for it to function correctly.

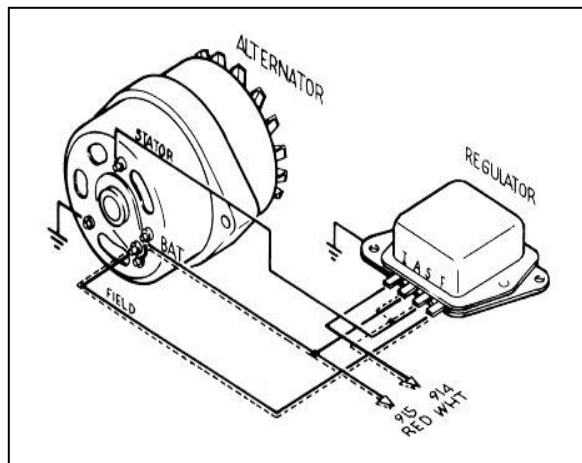


Figure 8-1A Ford Alternator (2 configurations)

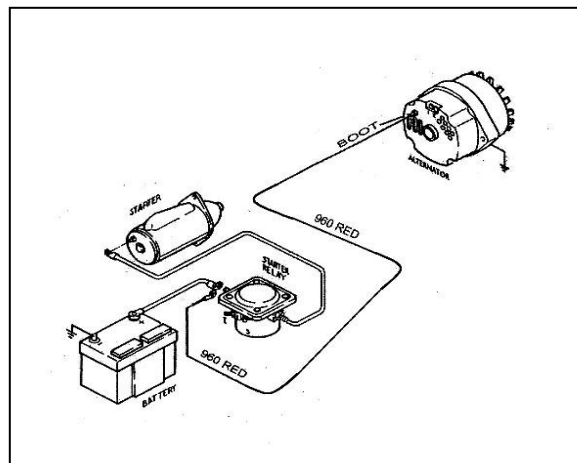


Figure 8-1B High Output Wire

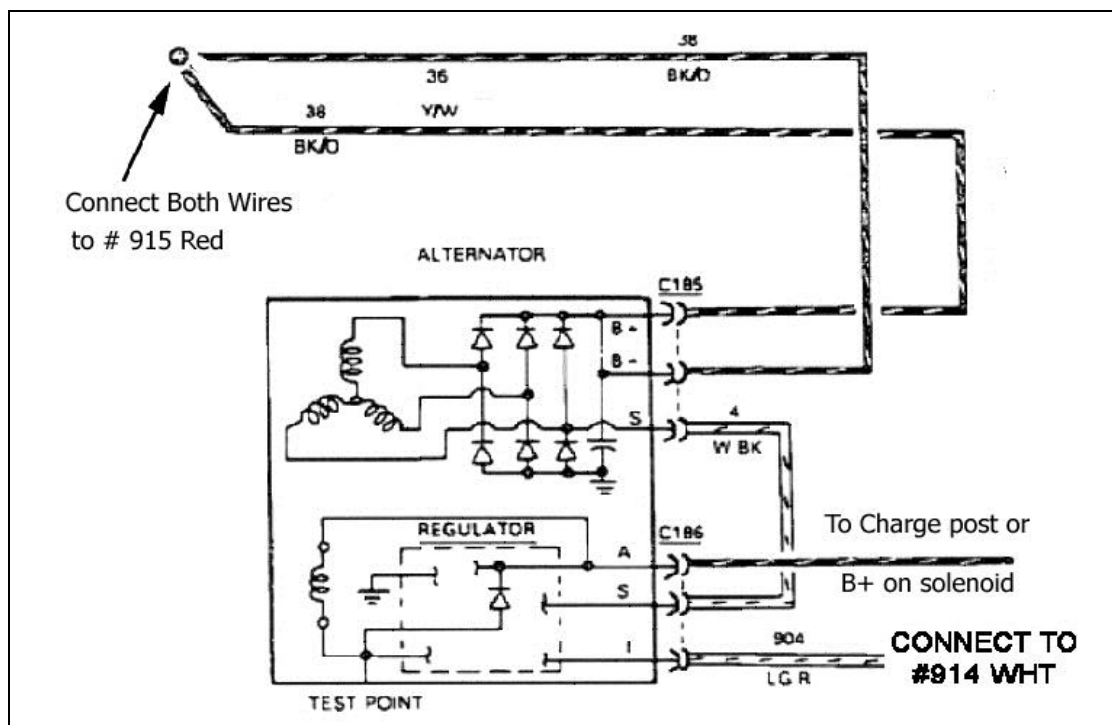


Figure 8-1C Ford 2G Alternator

- 8.1.6** Connect ENGINE SECTION wire #915 RED to both wires as noted in **Figure 8-1C**.
- 8.1.7** Connect ENGINE SECTION wire #914 WHT to the Light Green/Red stripe wire as noted in **Figure 8-1C**.

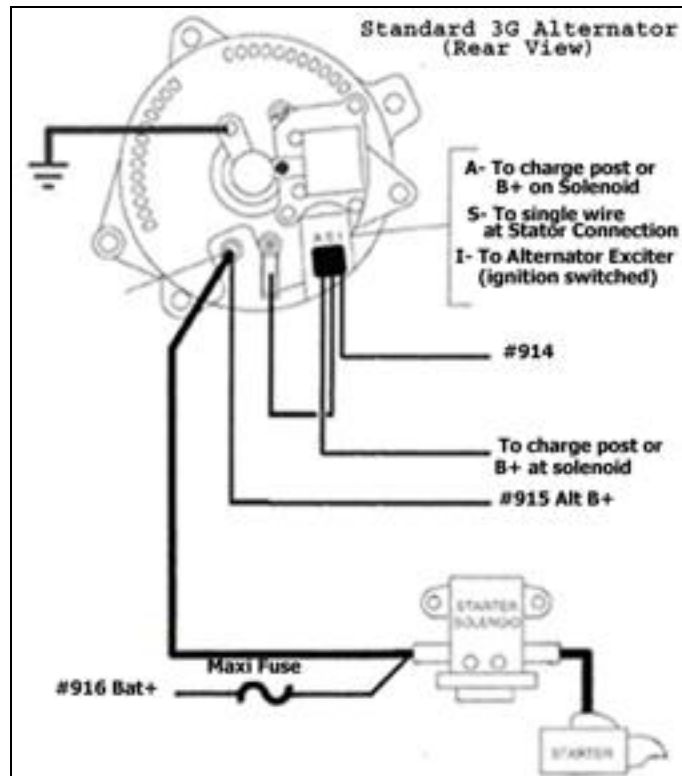


Figure 8-1D Ford 3G Alternator

- 8.1.8** Connect ENGINE SECTION wires #915 Red to charge post of alternator, #914 wht to the "I" terminal of the regulator, and # 916 to the B+ side of the solenoid. You will have to run a separate wire (not provided), from the "A" terminal of the regulator to either the charge post at back of the alternator, or to the B+ side of the solenoid.

NOTE: When using a 3G alternator, a large (**6 Ga Min.**) auxiliary charge wire **MUST** be run as Shown in **Figure 8-1D**. This wire is in addition to the #'s 915 and 916. While not shown in The above illustration, an inline fuse of **AT LEAST 135 amps**. Is strongly recommended.

8.2 Ford Ignition (Start/Run) System. See Figure 8-2.

Note: If you are going to install an ammeter, see **Section 10.3** first.

Note: Original ignition module wire should be retained if possible. Connectors for the module are no longer serviced.

- 8.2.1** With crimping tool, attach the Maxi Fuse (**Figure 7-3**) onto end of ENGINE SECTION (single) 10 ga. wire #916 (red) AFTER having routed wire (with or without ammeter) from the Fuse Panel to the Starter Relay. This serves as a fuse to protect the entire harness. **DO NOT OMIT IT!**
- 8.2.2** Connect wire #916 - with Maxi Fuse installed - to the Starter Relay Battery terminal. This is the same lug that the large red cable from the battery is normally connected to.
- 8.2.3** Connect ENGINE SECTION A wire #919 (pur) to the Starter Relay Start (S) terminal.
- 8.2.4** If you are using the Ballast Resistor, mount it away from other wiring or hoses. The Ballast Resistor gets very hot during operation. Connect ENGINE SECTION A wire #920 (pnk) to one end of the Ballast Resistor. Connect the other end of the Ballast Resistor to the Ignition Coil B+ terminal with 14-gauge wire (you may have enough pink wire left over to accomplish this). If you are using a Ballast Resistor, connect wire #920 directly to the Ignition Coil B+ terminal.

Note: The Ballast Resistor has been deleted from this kit due to lack of consumer usage. If one is needed in your application, please call Painless Performance at 800-423-9696 for assistance.

- 8.2.5** The Ignition Coil NEGATIVE (-) terminal is connected to the Distributor. Also connect ENGINE SECTION A wire #923 (pur/wht) to the Ignition Coil NEGATIVE (-) terminal. This is the tachometer source. If you are not using a tachometer, insulate and stow wire #923.

- 8.2.6** Connect a 14-gauge wire from the Starter Relay Ignition (I) terminal to the ignition coil side of the Ballast Resistor. This wire serves as a ballast resistor BYPASS during engine starting. If you are not using a ballast resistor, leave the Starter Relay Ignition (I) terminal unconnected and do not connect the bypass wire.
- 8.2.7** Be sure the large, red battery cable is connected from the other side of the Starter Relay to the Starter Motor.

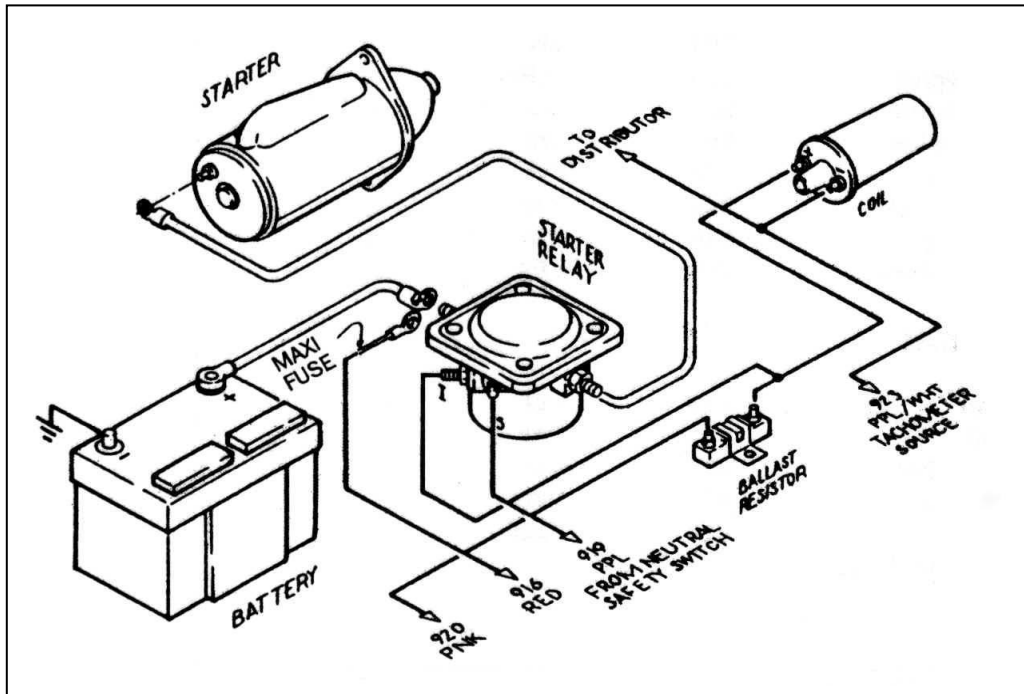


Figure 8-2 Ford Ignition (Start/Run) System

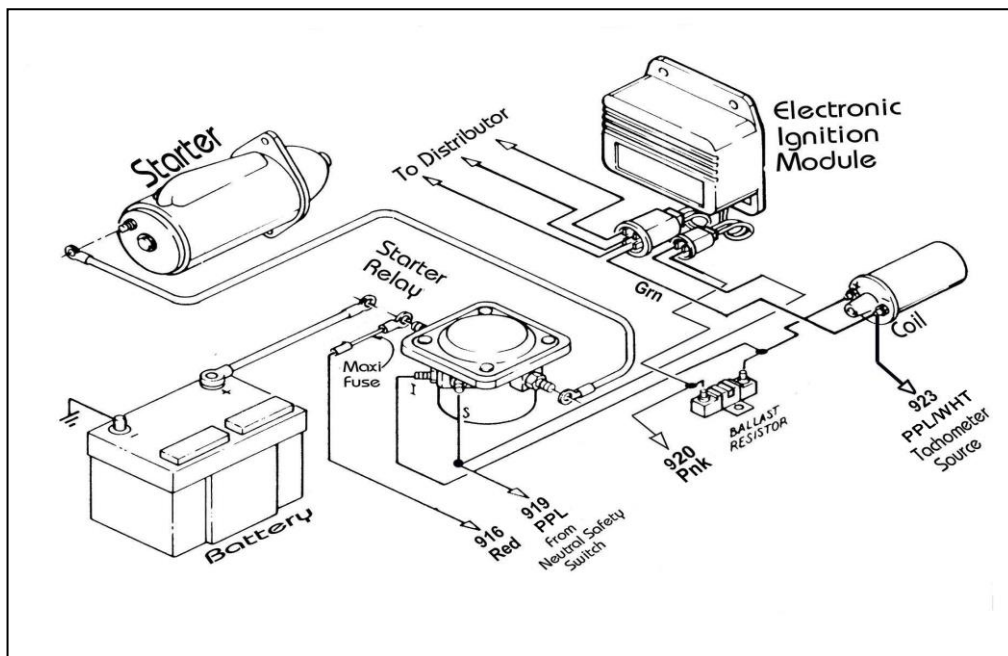


Figure 8.3 Motorcraft Electronic Ignition System

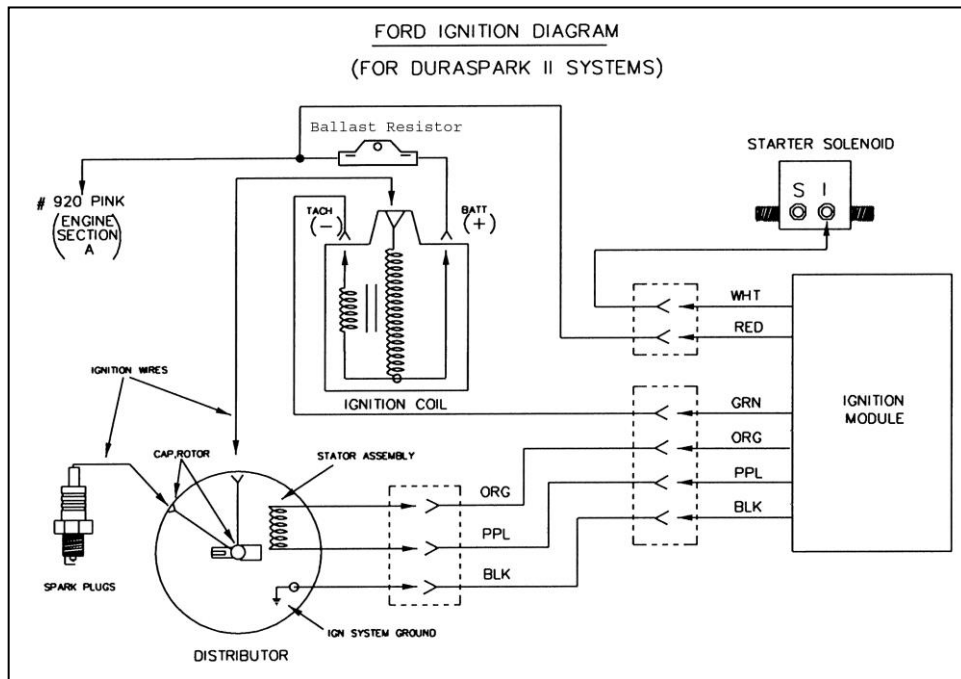


Figure 8-4 Ford Ignition Diagram (Duraspark II Systems)

8.3 Steering Column Wiring - Turn Signal Connections

- 8.3.1** Connect the nine (9) TURN SIGNAL SECTION wires to your automobile's existing Turn Signal Connector according to **Table 8-1**. Ford wire color codes are provided for reference. Ford has not been uniform in assigning wire colors over the years; so you may find that the wire colors in your existing Ford harness differ from those shown.
- 8.3.2** If there is any doubt, be on the safe side. Trace the wire(s) with an ohmmeter, circuit tester, or test light. **DON'T GUESS!** *Note: Disconnect one end of the wire you are tracing. If you leave it connected, there is the possibility of tracing it back through some other circuit and getting false results.*
- 8.3.3** Connect the Horn Ground wire to chassis ground. The Painless harness has no corresponding ground wire, nor does it support seat belt buzzers or key alarms.

8.4 Steering Column Wiring - Ignition Switch Connections

- 8.4.1** Connect the wires of the IGNITION SWITCH SECTION according to **Table 8-1**. **Figure 8-3** represents three (certainly not all) possible Ford ignition switch connector configurations and how they should be wired to the Painless steering column pigtail connector.
- Note: The connectors are shown from the wire side, NOT the connection side. It is important to understand the difference. Again, trace the wires if in doubt.*
- 8.4.2** On some Fords, the Ignition Switch is designed to bypass the ballast resistor during start. In **Table 8-1**, the red/blu wire supplies power to the coil, bypassing the ballast resistor when the switch is in the "Start" position. Once the engine has started and the switch is released (Run), power is supplied to the coil (through the ballast resistor) by the (variously-colored) wire shown. Jumper these two terminals to the Ignition Switch Connector and connect IGNITION SECTION wire #931 (pnk) to one or the other. **DO NOT ROUTE AN ADDITIONAL WIRE.** The ballast resistor bypass circuit was wired at **Paragraph 8.2.4**.
- 8.4.3** IGNITION SWITCH SECTION wire #919 (pur) needs to be routed to the neutral safety switch, cut and connected to it. If the switch is mounted on the floor shifter, add a length of wire to reach it. **FOR SAFETY, PLEASE USE A NEUTRAL SAFETY SWITCH!**

TURN SIGNAL SECTION

Ford Color	Designation	Painless Wire No.	Painless Color
Grn	Stop Light	918	Wht
Wht/Blu	RF Turn Signal	925	Blu
Grn/Wht	LF Turn Signal	926	Lt.Blu
Orn/Blu	RR Turn Signal	948	Grn
Grn/Orn	LR Turn Signal	949	Ylw
Wht/Red	Hazard Flasher	951	Brn
Blu	Turn Flasher	952	Pur
Ylw	Horn	953	Blk
Dk.Blu	Horn Ground	Gnd	----

IGNITION SWITCH SECTION

Brn/Pur or Wht/Blu ¹	Start	919	Pur
Wht/Grn, Red/Grn, Wht/Blu or Brn/Pur	Ignition Coil (run)	931	Pnk
Red/Blu	Ignition Coil (start)	2	----
Blk/Grn or Blk/Ylw	Accessory Fuse Panel	932	Brn
Gry, Gry/Ylw, or Blk	Ignition Switched Fuse Panel	933	Orn
Ylw	Battery B+	934	Red

NOTES:

1. Wire may be one of the colors shown, or some other color. See **Paragraph 8.3.1.**
2. Jumper to wire #931. See **Paragraph 8.4.2.**

Table 8-1 Ford Ignition and Turn Signal Wiring

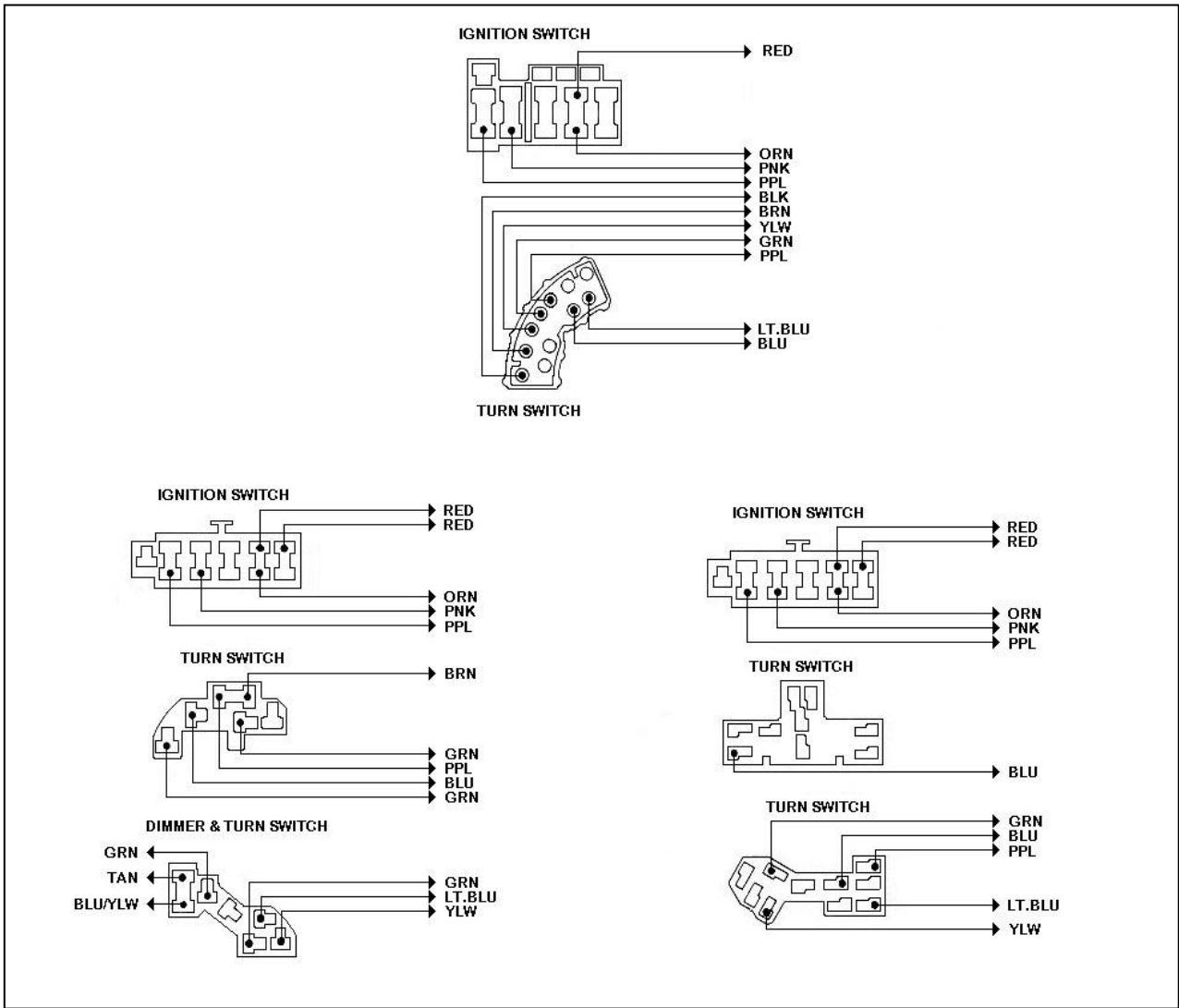


Figure 8-5 Ford Ignition Switch Connectors (See note on Page 10, Section 8.2)

9 MOPAR - SPECIFIC CIRCUIT CONNECTIONS

9.1 Mopar Alternator. See Figure 9-1

Note: Your Alternator may not appear exactly as represented in **Figure 9-1**. The circuits are wired the same way, though.

9.1.1 Mopar uses one of two kinds of voltage regulators: An electronic regulator and a mechanical one.

9.1.2 The Mechanical regulator is connected as follows: The #914(wht) is connected to the "ign" terminal of the regulator. The "fld" terminal of the regulator is connected the field terminal of the alternator. The #914 wire left from the first connection should have sufficient length for this.

CAUTION: IF USING AN ALTERNATOR WITH AN OUTPUT LARGER THAN 65 AMPS, YOU WILL ALSO NEED TO USE JUMPER WIRE #960 (RED), INCLUDED IN BOX. THE WIRE END WITH THE RING TERMINAL AND RUBBER BOOT WILL CONNECT TO THE ALTERNATOR OUTPUT LUG. ROUTE THE OTHER END TO THE STARTER. CUT THE WIRE AND CRIMP ON A RING TERMINAL. INSTALL ON STARTER TERMINAL WITH CABLE COMING FROM BATTERY. SEE FIGURE 9-1B.

9.1.3 For an Electronic regulator, Connect ENGINE SECTION wire #914 (wht) to the Alternator Field (F) terminal. Connect ENGINE SECTION wire #915 (red) to the Alternator Output lug (**Figure 9-1**)

9.1.4 Connect a 14-gauge wire from the Alternator terminal where wire #914 is connected to center terminal of the ELECTRONIC Voltage Regulator.

9.1.5 Connect a 14-gauge wire from the other Alternator Field terminal (as shown in **Figure 9-1**) to the second terminal of the ELECTRONIC Voltage Regulator OR terminal (F) of the MECHANICAL Voltage Regulator. On existing Mopar harnesses, this would be a green wire.

9.1.6 Finally, make sure BOTH the alternator and the voltage regulator housing are grounded.

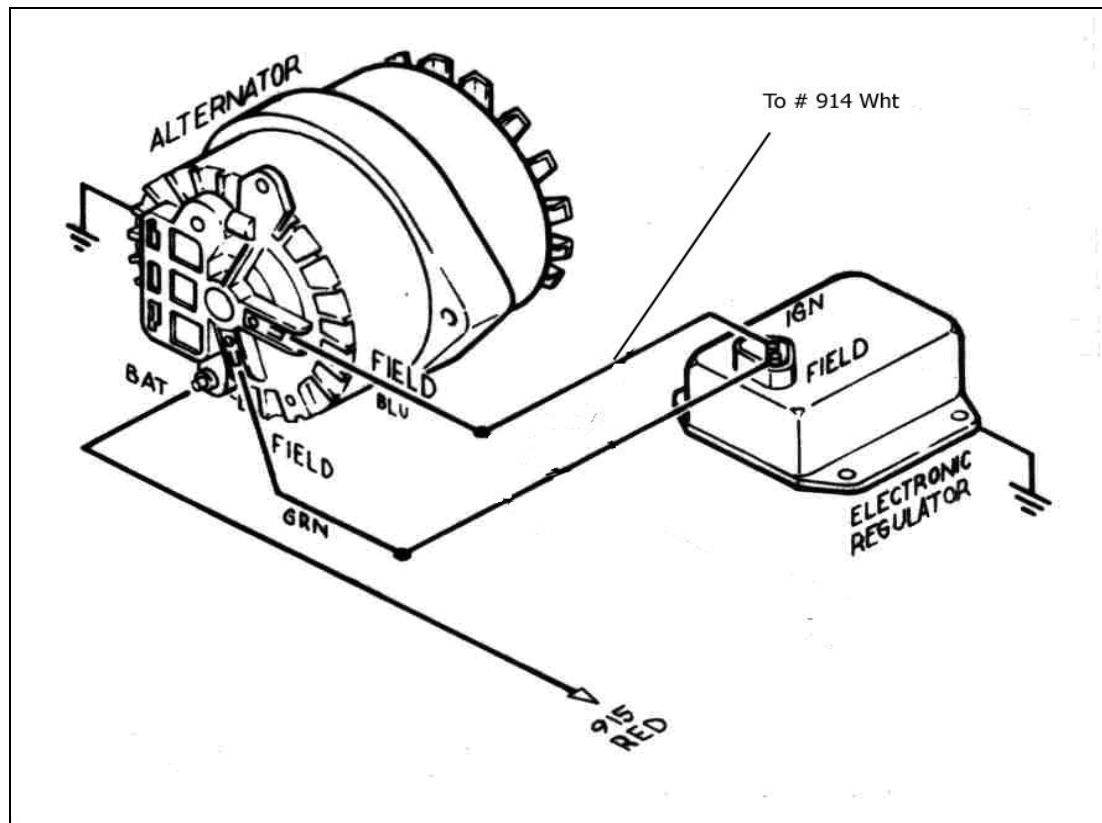


Figure 9-1 Mopar Alternator w/ Electronic Regulator

9.2 Mopar Ignition (Start/Run) System. See Figure 9-2

Note: If you are going to install an ammeter, see **Section 10.3** first.

- 9.2.1** Connect ENGINE SECTION (single) 10-gauge red wire #916 (with or without ammeter) to the Starter Relay Battery Terminal. Retain excess wire.

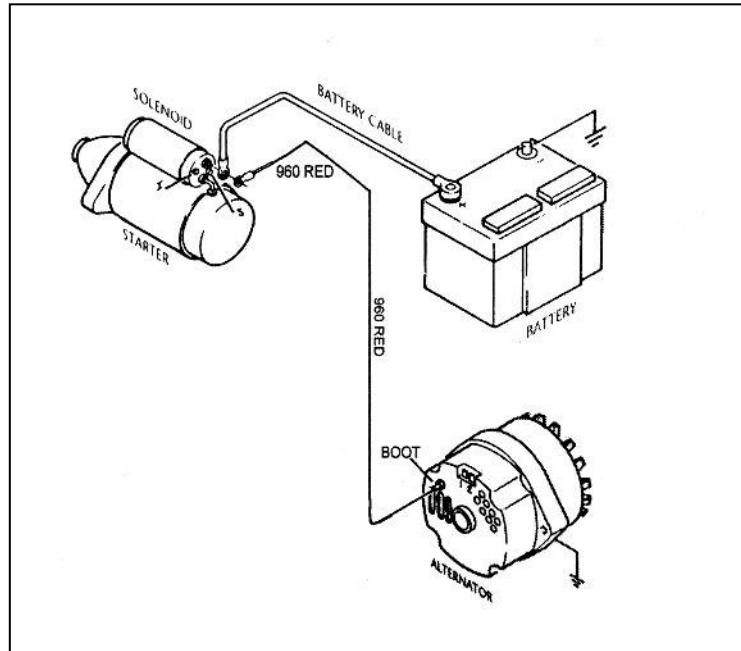


Figure 9-1B High Output Wire

- 9.2.2** With crimping tool, attach the Maxi Fuse (**Figure 7-3**) onto remaining length of red 10-gauge wire. It serves as a fuse to protect the entire harness. DO NOT OMIT IT! Connect this wire from the Starter Motor Battery terminal, as shown in **Figure 9-2**. USE ONLY 10-GAUGE WIRE.
- 9.2.3** Connect ENGINE SECTION A wire #919 (pur) to the Starter Relay Ignition (I) terminal.
- 9.2.4** Connect a 14-gauge wire from the Starter Relay Ground (G) terminal to the center terminal of the transmission mounted Neutral Safety Switch. Older Mopar neutral safety switches have only one terminal. On newer switches, the two outside terminals are for backup lights. Use existing wiring to connect these two terminals as shown in **Figure 9-2**.
- 9.2.5** If using a harness with the GM column connectors, but using the Mopar Neutral Safety Switch, or neutral safety switch on a floor shifter, you will need to splice together the purple (pur) wires at the steering column wiring.
- 9.2.6** If the Neutral Safety Switch is mounted in the floor shifter, connect the Starter Relay Ground (G) terminal to chassis ground. Refer to **Paragraph 9.4.2** to wire the Neutral Safety Switch.
- 9.2.7** If you are using the Ballast Resistor (**Figure 3-1**), mount it away from other wiring or hoses. The ballast resistor gets very hot during operation. Connect ENGINE SECTION A wire #920 (pnk) to one end of the Ballast Resistor. Connect the other end of the ballast resistor to the Ignition Coil POSITIVE (+) terminal with 14-gauge wire (you may have enough pink wire left over to accomplish this). If you are not using a Ballast Resistor, connect wire #920 directly to the Ignition Coil B+ terminal.

Note: The Ballast Resistor has been deleted from this kit due to lack of consumer usage. If one is needed in your application, please call Painless Performance at 800-423-9696 for assistance.

- 9.2.8** The # 920 (pnk) wire serves as a ballast resistor BYPASS during engine starting. If you are not using a ballast resistor, do not connect this wire.
- 9.2.9** The Ignition Coil NEGATIVE (-) terminal is connected to the Distributor. Also connect ENGINE SECTION A wire #923 (pur/wht) to the Ignition Coil NEGATIVE (-) terminal. This is the tachometer source. If you are not using a tachometer, insulate and stow wire #923.
- 9.2.10** Be sure the large, red battery cable is connected from the Battery to the Starter Motor Battery terminal (the same place the Maxi Fuse is connected).

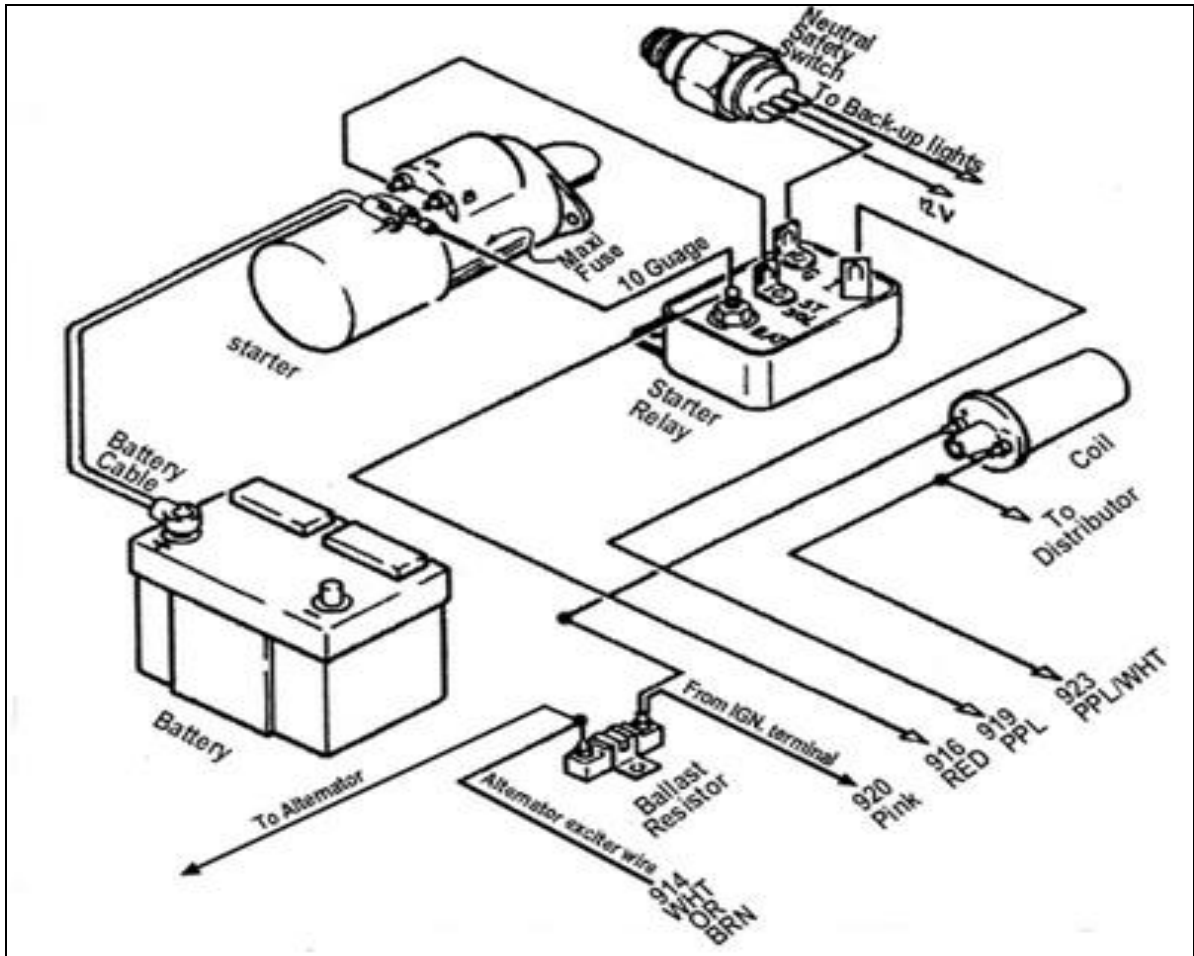


Figure 9-2A Mopar Ignition (Start/Run) System

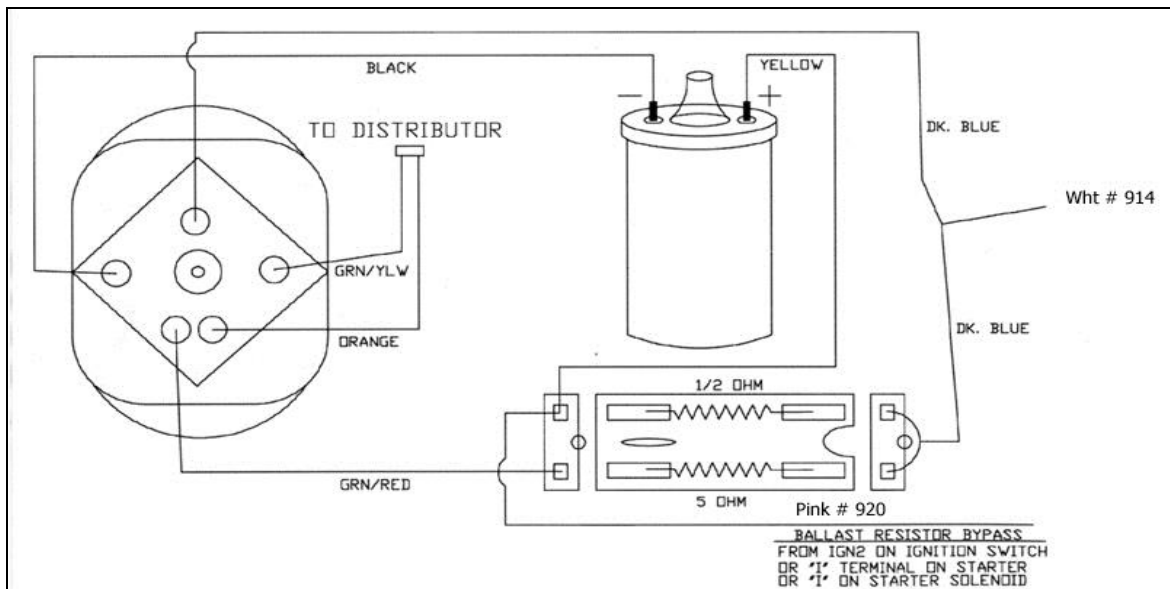


Figure 9-2B Mopar Electronic Ignition with Dual Ballast Resistor

9.2.11 Connect #914 (wht) to both dark blue wires as labeled in Figure 9-2B. Connect a ballast bypass wire as labeled in Figure 9-2B. **NOTE:** This ballast bypass wire will only provide 12 volts when cranking the engine. This is done for ease of starting the engine.

9.3 Steering Column Wiring - Turn Signal Connections

Refer to **Table 9-1**. Check your existing wiring (by tracing the wire, if necessary) against the data given.

9.3.1 Connect the nine (9) wires of the TURN SIGNAL SECTION to your automobile's existing Turn Signal Connector according to **Table 9-1**. Mopar wire color codes for a number of years are provided for reference. Mopar has not been uniform in assigning wire colors over the years; so you may find that the wire colors in your existing Mopar harness differ from those shown.

9.3.2 If there is any doubt, be on the safe side. Trace the wire(s) with an ohmmeter, circuit tester, or test light. DON'T GUESS!

Note: Disconnect one end of the wire you are tracing. If you leave it connected, there is a possibility of tracing it back through some other circuit and getting false results.

9.3.3 If your existing Turn Signal Connector requires a Horn Ground wire, install one. The TURN SIGNAL SECTION has no ground wire, nor does it support seat belt buzzers, key alarms, or shifter lights.

9.4 Steering Column Wiring - Ignition Switch Connections

9.4.1 Connect the wires of the IGNITION SWITCH SECTION according to **Table 9-1**.

9.4.2 IGNITION SWITCH SECTION wire #919 (pur) is to be connected to a Neutral Safety Switch. However, Mopar switches are mounted in the transmission. The transmission-mounted neutral safety switch was wired at **Paragraph 9.2.4**. FOR SAFETY, PLEASE USE A NEUTRAL SAFETY SWITCH!

9.4.3 If the neutral safety switch is mounted on a floor shifter, see note 11 in wire connection index.

1970-74 WITHOUT TILT COLUMN			
TURN SIGNAL CONNECTOR			
Mopar Color	Designation	Painless Wire No.	Painless Color
Wht	Stop Light Switch	918	Wht
Tan	RF Turn Signal	925	Blu
Grn	LF Turn Signal	926	Lt.Blu
Brn	RR Turn Signal	948	Grn
Grn	LR Turn Signal	949	Ylw
Pnk	Hazard Flasher	951	Brn
Red	Turn Flasher	952	Pur
Blk	Horn	953	Blk
IGNITION SWITCH CONNECTOR			
Ylw ¹	Ignition Start	919	Pur
Brn	Ignition Coil	931	Pnk
Blk	Accessory Fuse Panel	932	Brn
Blu	Ignition Switched Fuse Panel	933	Orn
Red	Battery B+	934	Red
Vio	Ground	----	----
Ylw ²	Buzzer Switch	3	----
Ylw ²	Buzzer Switch	3	----
Orn	Gear Shift Lamp	3	----
NOTES:			
1. 12 gauge wire			
2. 20 gauge wire			
3. The Painless harness does not support these.			

Table 9-1 Mopar Ignition and Turn Signal Wiring 1 of 2

TURN SIGNAL CONNECTOR

Designation	79 w/tilt	79 w/o tilt	82 RWD w/o tilt	82 RWD w/tilt
Stop Light	Wht	Wht	Wht	Wht
RR Turn Signal	Dk.Grn	Brn	Brn/Red	Brn/Red
LR Turn Signal	Ylw	Dk.Grn	Dk.Grn/Red	Dk.Grn/Red
Turn Signal Flasher	Pur	Red	Red	Red
Hazard Signal Flasher	Brn	Pnk	Pnk	Pnk
RF Turn Signal	Dk.Blu	Tan	Tan	Tan
LF Turn Signal	Lt.Blu	Lt.Grn	Lt.Grn	Lt.Grn
Horn	Blk	Blk	Blk/Red	Blk/Red

Not supported by the Painless wire harness:

Horn	----	Blk/Red	----	----
Horn Ground	----	Blk	Blk	----
Key Alarm	Pnk	----	Blk/Lt.Blu	----
Key Alarm	Blk	----	Lt.Blu	----
R Corner Lamp	Blk/Wht	Tan/Wht	Tan/Wht	Tan/Wht
L Corner Lamp	Gry	Lt.Grn/Blk	Lt.Grn/Blk	Lt.Grn/Blk
Corner Feed Lamp	Brn	Vio	Vio	Vio

Table 9-1A Mopar Ignition and Turn Signal Wiring 2 of 2

10 ALL MAKES - SPECIFIC CIRCUIT CONNECTIONS

10.1 Generator Charging System. See Figure 10-1.

- 10.1.1** Connect Generator ARMATURE terminal (A) to Voltage Regulator terminal A. Connect Generator FIELD terminal (F) to Voltage Regulator terminal F. Use 14-gauge wire (color optional) for FIELD and 12-gauge wire for Armature.
- 10.1.2** Be sure both the generator and the voltage regulator are securely grounded. The voltage regulator may have a terminal for this purpose (labeled "G") or you may have to ground the regulator case.
- 10.1.3** Connect ENGINE SECTION wire #915 (red) to Voltage Regulator terminal B.
- 10.1.4** Insulate and stow ENGINE SECTION wire #914 (wht).

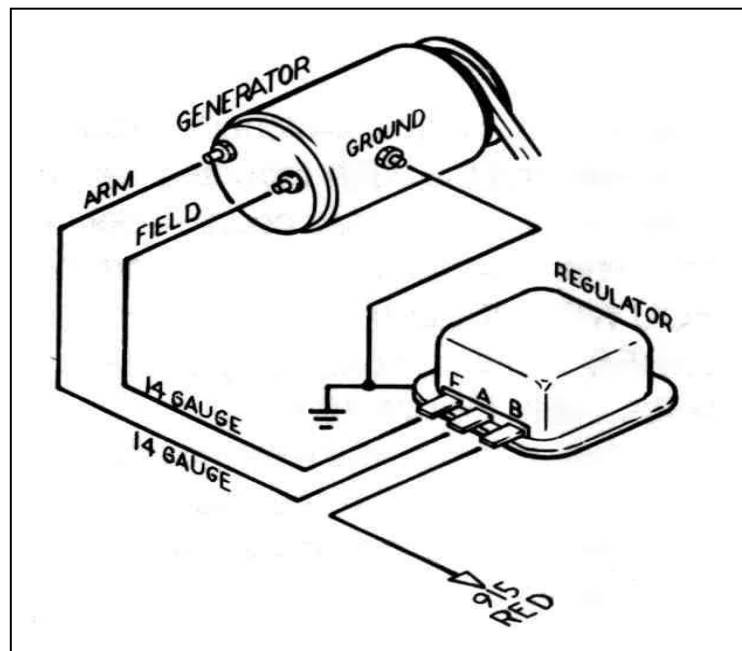


Figure 10-1 Generator Charging System

10.2 Generator to Alternator Conversion

- 10.2.1 You may be able to convert your generator charging system to use an alternator and external regulator without altering or re-routing existing wires.
- 10.2.2 Install the new alternator and replace the existing generator voltage regulator with the new, alternator compatible one.
- 10.2.3 Connect the existing wiring according to either **Section 7.0, 8.0** or **9.2**, as appropriate.

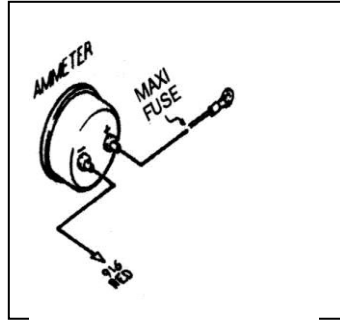


Figure 10-2 Ammeter & Maxi Fuse

10.3 Connecting an Ammeter and the Maxi Fuse. See Figure 10-2.

- 10.3.1 Most, but not all Ammeters must be inserted IN SERIES onto the ENGINE SECTION (single) 10-gauge wire #916 (red) that routes from the Fuse Panel to the Starter Solenoid on GM (**Section 7.4**) and from the Fuse Panel to the Starter Relay on Ford (**Section 8.2**) and Mopar (**Section 9.2**).
- 10.3.2 The overall physical length of this circuit should be as short as possible (allow some slack, however). You may have to cut wire #916 and you may have to add some additional length of 10-gauge wire. USE ONLY 10-GAUGE WIRE OR LARGER.
- 10.3.3 Route wire #916 (from the Fuse Panel) and connect to the Ammeter NEGATIVE terminal. To complete the installation, follow ONE of the next three (3) paragraphs, as appropriate.
- 10.3.4 If you are using a GM starter, route the remainder of wire #916 from the Ammeter POSITIVE terminal to the Maxi Fuse terminal. Connect the other side of the Maxi Fuse (**Figure 7-3**) to the Starter Solenoid Battery (B+) terminal.
- 10.3.5 If you are using a Ford starter with a starter relay, route the remainder of wire #916 from the Ammeter POSITIVE terminal to the Maxi Fuse terminal. Connect the other side of the Maxi Fuse (**Figure 7-3**) to the Starter Solenoid Battery (B+) terminal.
- 10.3.6 If you are using a Mopar starter with a starter relay, route the remainder of wire #916 from the Ammeter POSITIVE terminal to the Maxi Fuse terminal. Connect the other side of the Maxi Fuse (**Figure 7-3**) to the Starter Solenoid Battery (B+) terminal.

CAUTION: BOTH AMMETER TERMINALS MUST ABSOLUTELY BE ISOLATED FROM GROUND. IF EITHER AMMETER TERMINAL COMES IN CONTACT WITH GROUND A HARNESS FIRE IS INEVITABLE. USE EXTREME CARE AND DILIGENCE IN CONNECTING AMMETERS.

CAUTION: BE SURE YOUR AMMETER'S CURRENT (AMPS) RATING EXCEEDS THE CURRENT OUTPUT OF YOUR ALTERNATOR. PERFECT PERFORMANCE PRODUCTS, LLC DOES NOT RECOMMEND USING ANY AMMETER RATED AT LESS THAN 65 AMPS. DO NOT USE AN AMMETER WITH ANY HIGH OUTPUT ALTERNATOR (MORE THAN 45PS).

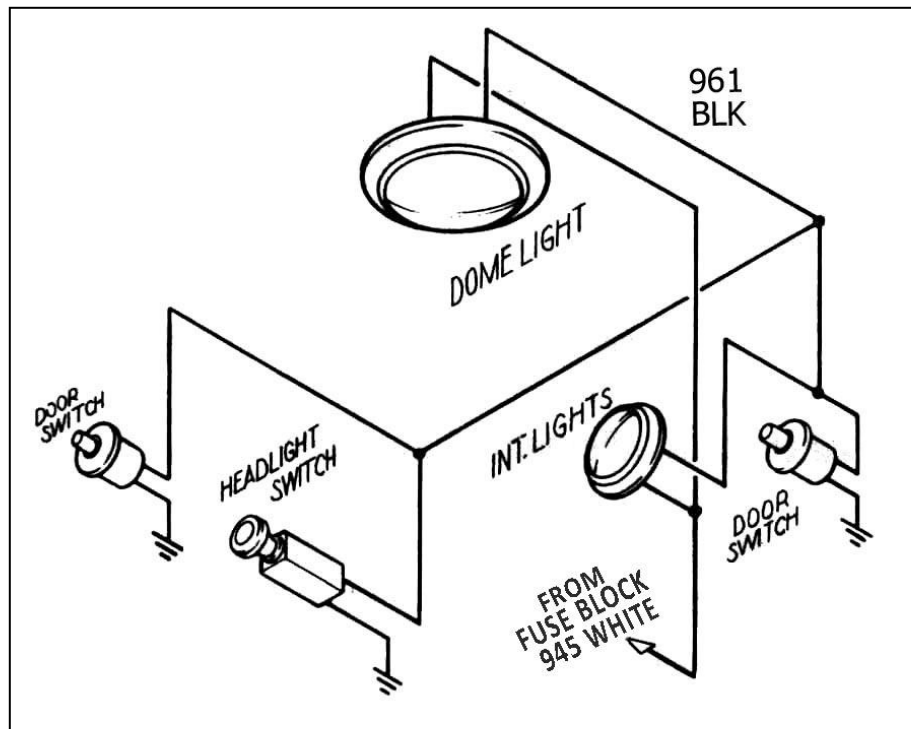


Figure 10-3 Interior Lighting (GM Style Jamb Switch – Painless Part #80170)

10.4 Interior Lighting. See Figure 10-3

10.4.1 Interior Lights are switched through the door switches and the dash-mounted headlight switch, which is usually rotated counter-clockwise to turn on. These switches apply ground to the circuit. YOU WILL NEED TO SUPPLY THESE GROUND WIRES. 12V is continually present at the light bulbs. See **Figure 10-6**.

10.4.2 If possible leave your existing interior light wiring intact. The Painless harness supplies the 12V feed (B+) to the circuit via TAIL SECTION wire #945 (wht) and a ground via TAIL SECTION wire #961 (blk).

NOTE: This is a GROUND Activated Circuit.

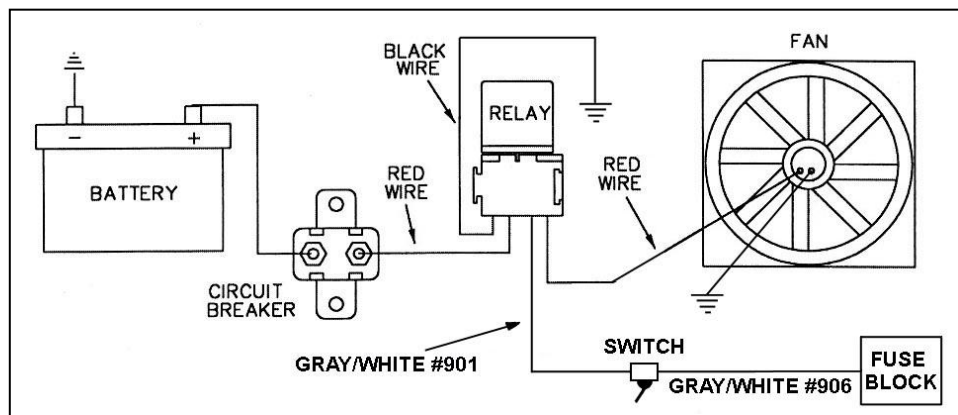


Figure 10-4A Typical Fan Relay Installation (Painless Part #30101)

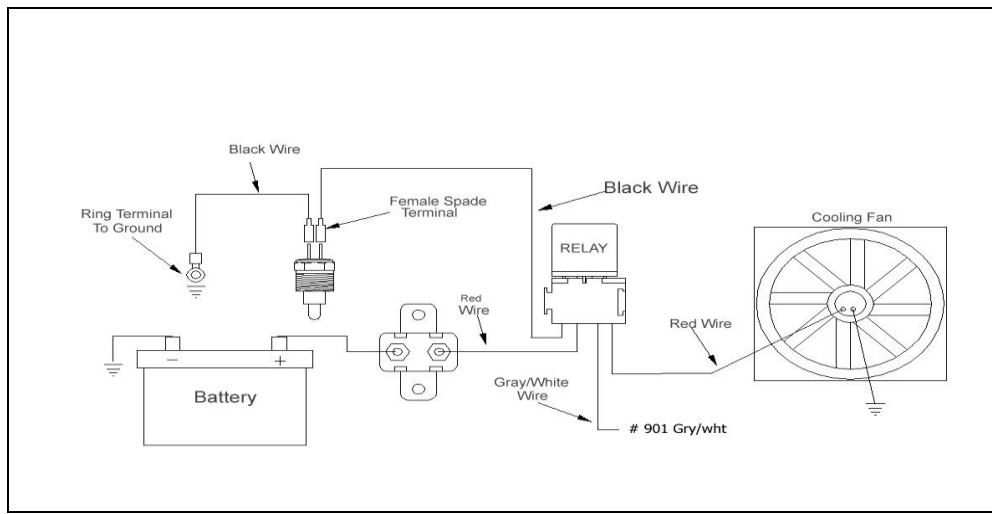


Figure 10-4B Typical Fan Relay with Thermostat (**Painless Part # 30102**)

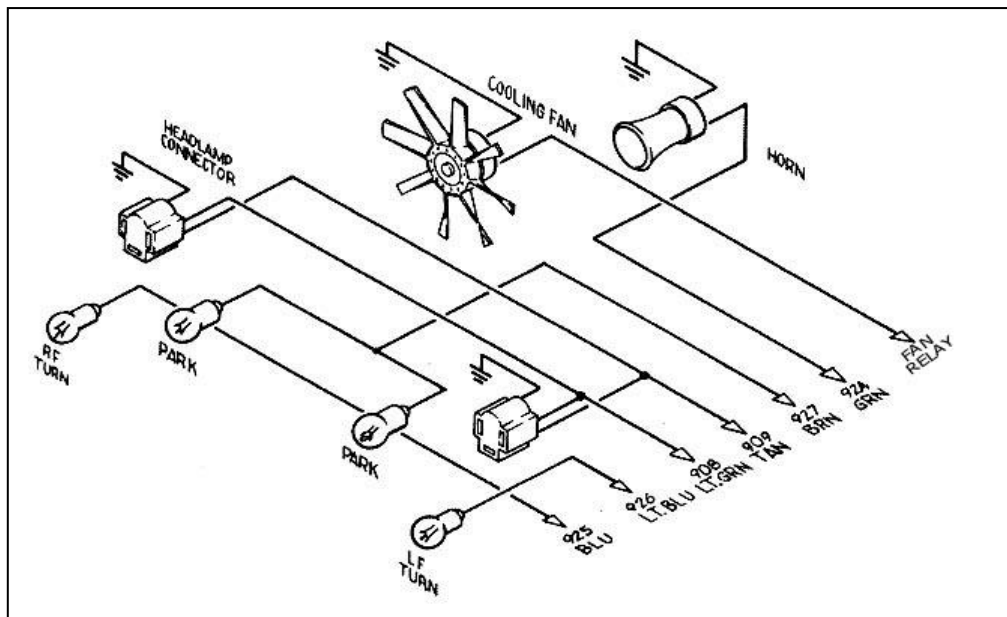


Figure 10-4C HEADLIGHT SECTION A Wiring

10.5 HEADLIGHT SECTION A. See Figure 10-4C.

- 10.5.1** Connect HEADLIGHT SECTION A wire #924 (grn) to the Horn's hot terminal. TURN SIGNAL SECTION wire #953 (blk) was connected in the Turn Signal Connector section of these instructions. The Horn Relay is pre-wired into the Fuse Panel.
- 10.5.2** Connect HEADLIGHT SECTION A wires #908 (lt.grn) and #909 (tan) to the green and tan wires of BOTH Headlamp Connectors. Connect the black wires of the Headlamp Connectors to Chassis Ground. You should have enough wire to accomplish this. You have been supplied with two small grommets (**Figure 3-1**) should you need to pass these wires through a fender well. Don't forget to thread them onto the wires BEFORE you connect the wires.
- 10.5.3** Connect HEADLIGHT SECTION A wire #927 (brn) to ALL front Park Lights. Connect HEADLIGHT SECTION A wire #925 (blu) to the RIGHT FRONT Turn Signal. Connect wire #926 (lt.blu) to the LEFT FRONT Turn Signal. **Note:** Don't confuse Park Lights with Turn Signals.
- 10.5.4** Connect HEADLIGHT SECTION A wire #901 (gry/wht) to the Electric Fan Relay. This wire is an activation wire for the relay, **NOT A POWER FEED**. The other end of wire #901 is in the ACCESSORY SECTION SWITCHES and should be connected to the electric fan switch in the dash. Connect 906 (gry/wht) from ACCESSORY SECTION B+ to the other side of the fan switch. **Figure 10-4A** shows a typical fan relay installation.

10.5.5 If you are using a thermostatic switch in the engine to control the ground for the fan relay, you will then connect the 901 (gry/wht) from ACCESSORY SECTION SWITCHES directly to the 906 (gry/wht) from ACCESSORY SECTION B+.

10.5.5 Connect the DIMMER SWITCH SECTION Extension Cable (**Figure 3-1**) to its mating connector in the harness (if applicable) and your floor-mounted Dimmer Switch or column-mounted Dimmer Switch.

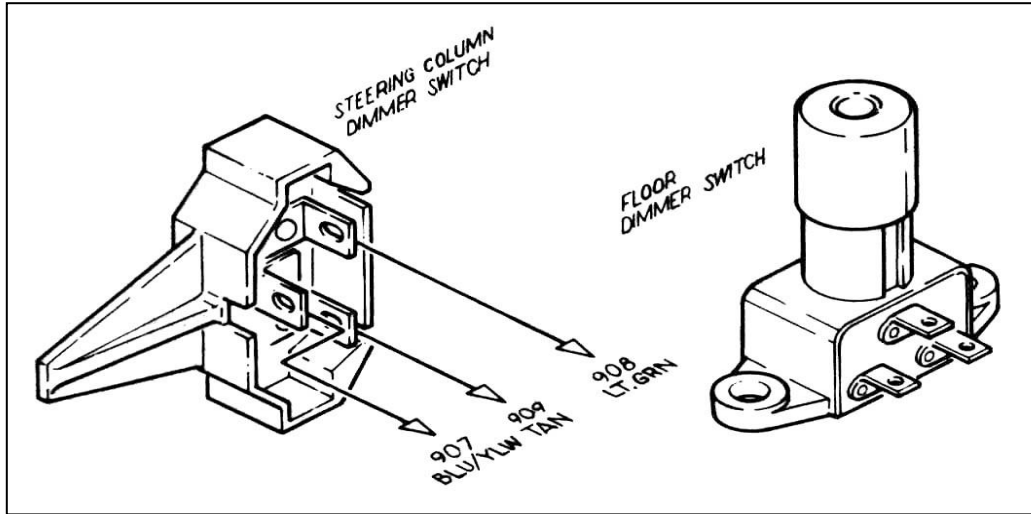


Figure 10-5 Dimmer Switches (Push Button Style – Painless Part #80150)

10.6 HEADLIGHT SECTION B Wiring. See Figure 10-6.

10.6.1 Connect the 6 wires of HEADLIGHT SECTION B, the Dome and Interior Light return circuit, and the Headlamp Switch Ground as shown. If you do not have a GM headlight switch, you should trace out the wires of your existing harness and connect the new harness according to **Table 11-2**.

Note: On late-style GM headlight switches, the park lights terminal to which wire #927 (brn) is connected (shown in **Figure 10-6**) has been omitted. In this case, wire #927 must be connected as indicated by the dashed line in **Figure 10-6**.

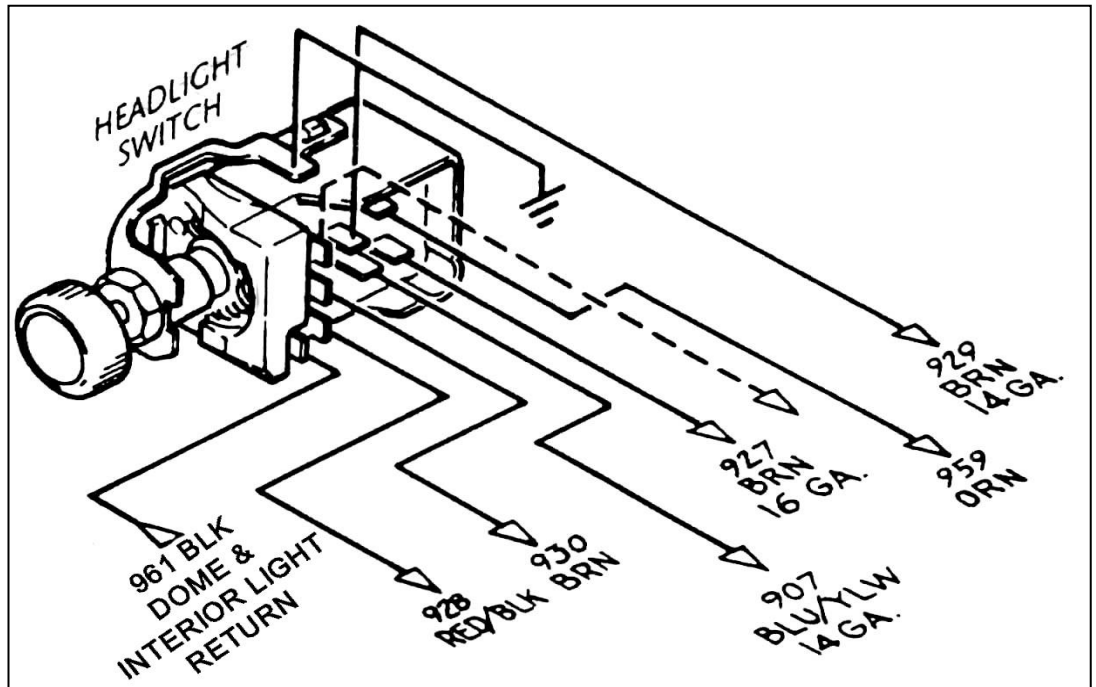


Figure 10-6 HEADLIGHT SECTION B Wiring (Painless Part #80152)

10.7 Instrument Panel Wiring

- 10.7.1** Connect the wires of the INSTRUMENT PANEL SECTION as indicated in **Table 11-2**. Insulate and stow any wires you do not use.
- 10.7.2** Connect a jumper from wire #935 (red/wht) to all Gauges' power or "I" terminals. Connect a jumper from wire #930 (brn) to all Gauges' Instrument Lighting terminals. Connect a jumper to all Gauges' Ground terminals and connect to Chassis Ground.

10.8 Brake Light Switch

- 10.8.1** Connect wires #917 (orn) and #918 (wht) to the Brake Light Switch wherever it may be mounted. These wires may be in ENGINE SECTION A or with the TURN SIGNAL SECTION wires, depending on the harness purchased.
- 10.8.2** The Third Brake Light wire is pre-connected on the Switch end. Connect TAIL SECTION wire #950 (orn) to the Third Brake Light if applicable.

10.9 Tail Section Wiring

- 10.9.1** Connect the wires of the TAIL and TURN SIGNAL SECTIONS as indicated in **Table 11-2** with the exception of #918 (wht), #948 (grn), #949 (ylw) and #950 (orn).
- 10.9.2** These 4 wires will be connected according to one of the diagrams shown in **BELOW**. Which diagram you will use depends on whether or not you have one bulb on each side of the vehicle that is for the brake/tail **and** Turn Signal Lights (this is referred to as integrated lights) **or** you have **more than one** bulb on each side **and** the Brake and Turn Signal Lights are hooked to different bulbs (referred to as separate Brake/Turn Lights).

Note A: *If you have Integrated Brake Lights you must use bulbs that have two (2) filaments in them such as in an 1157 bulb.*

Note B: *The three wires shown in these diagrams are connected to the "brighter" of the two filaments when using a two-filament bulb (the Tail Lights are usually connected to the "Dimmer" filament). The Tail Lights, License Plate Lights, Reverse Lights, etc. are not shown on the diagrams for clarity.*

Note C: *In the separate Brake Light diagram the arrangement shown is only one of several ways to wire a vehicle. The important thing is that the Brake and Turn Signal Lights use completely separate bulbs.*

INTEGRATED BRAKE LIGHTS

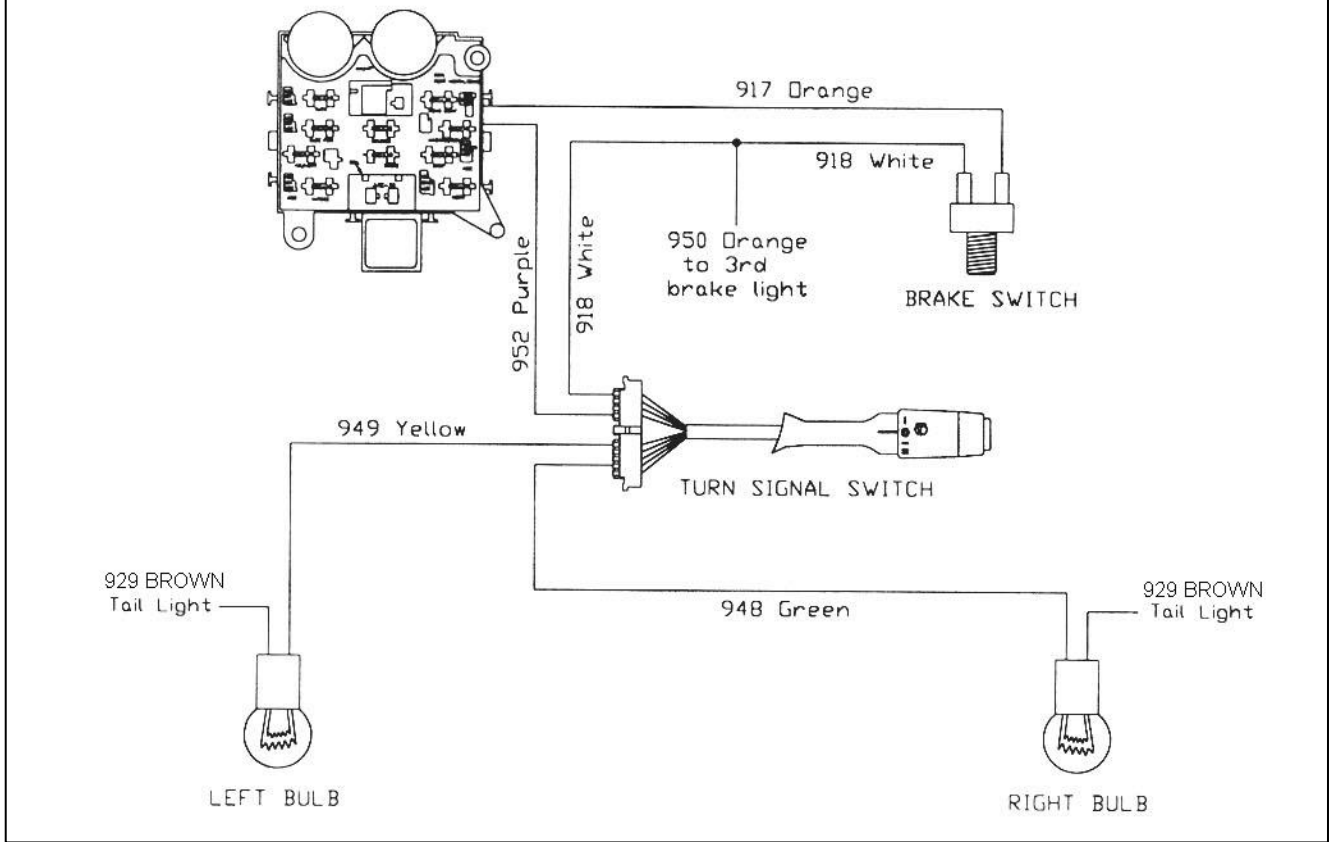


Figure 10-7A Integrated Brake Lights

SEPARATE TURN/ BRAKE LIGHTS

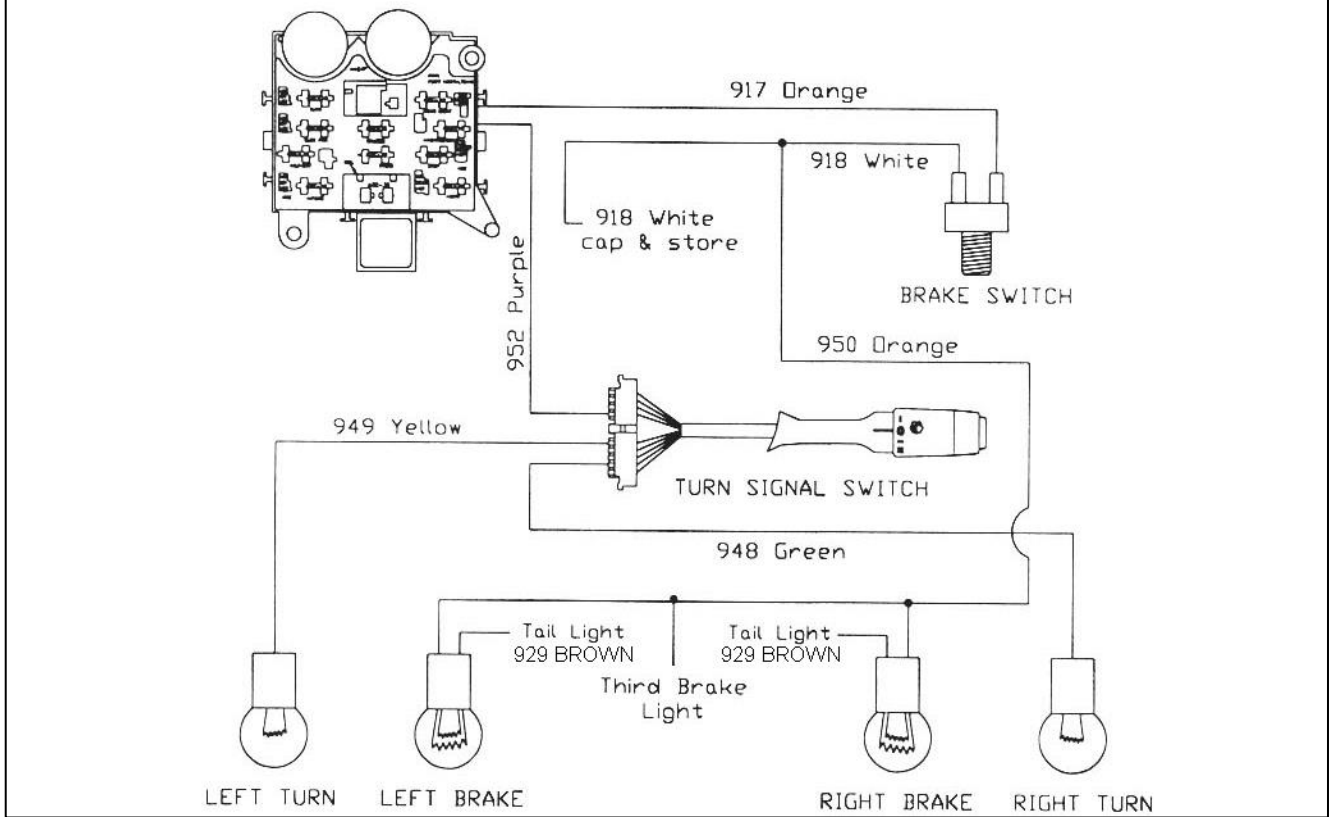


Figure 10-7B Separate Turn/Brake Lights

10.10 Helpful Hints for Tail Section Wiring

- 10.10.1** When you have Integrated Brake Lights on your vehicle the Turn Signal switch acts as a brain to control when the Lights in the rear are on constantly (braking) or flashing (turning) or a combination of both. **The Turn Signal switch you use must be built to do this! If you are using a steering column out of a salvage yard that was originally in a vehicle that had separate Brake Lights then the switch will not work for Integrated Brake Lights.**
- 10.10.2** Almost all light bulbs get the ground they need through the socket housing. If you mount your socket housing into anything other than a grounded metal part then you will need to provide a separate ground wire.
- 10.10.3** If you are using Halogen brake/tail light bulbs a relay kit (Painless 30105) **MUST** be used to prevent damage to your turn signal & brake light switch

11.0 WIRE CONNECTION INDEX AND FUSE REQUIREMENTS

11.1 Wire Connection Index

In each section, connect the wire, as identified by its wire color, to the appropriate item in the CONNECT TO column. Pay close attention to the **Notes** in this section, as identified by a small, raised number such as the one at the end of this sentence. ❶

Table 11-2 is divided into sections that correspond to the sections of your wire harness. (ACCESSORY SECTION B+, DIMMER SWITCH SECTION, etc.). The index is divided vertically into six columns. COLOR, GAUGE, NUMBER, CONNECT TO, ORIGIN, and SECTION OF ORIGIN.

The columns labeled ORIGIN and SECTION OF ORIGIN are for your reference ONLY. The items in these columns tell you where each wire originates (ORIGIN) and from which section (SECTION OF ORIGIN) of the harness.

The column labeled NO. contains a 900-series number that is used to identify various wires in the wiring diagrams that are a part of these instructions.

Many (but not all) of the wire numbers occur TWICE in this index. That is because you will be connecting BOTH ENDS of many of the particular wire segments. However, some wire segments are pre-connected at one end. For instance, all wires originating from the fuse panel and certain other wires such as those originating from the fuse panel and certain other wires such as those originating from the horn relay, the dimmer switch, and the instrument panel section. **These pre-connected wires are identified by an asterisk (*) in the ORIGIN column.**

11.2 Fuse Requirements

Cigarette Lighter.....	20
Headlight Switch.....	30
Emergency Flashers.....	15
Turn Signals.....	15
Gauges.....	10
AC/Heat Relay.....	5
Radio (Constant).....	10
Horn.....	20
Door Lock.....	20
Wipers.....	15
Brake Switch.....	20
Dome/Trunk.....	10
Electric Fan Relay.....	5
Power Antenna.....	10
Power Windows.....	20
Electric Fuel Pump.....	15
Coil.....	30
Radio Ignition (Switched).....	10
Backup/Cruise Control.....	10

Table 11-1 Fuse Requirements

Color	Ga.	No.	Connect to	Wire Starting Point	Section of Starting Point
ACCESSORY SECTION SWITCHES					
Gry/Wht	18	901	Cooling Fan Switch	Fan Relay	Headlight Section A
Blk/Wht	14	902	AC/Heat Switch	A/C Compressor	Engine Section A
ACCESSORY SECTION B+					
Tan ¹	14	903	Cigarette Lighter B+	Fuse Panel*	Fuse Panel
Blk/Wht	14	904	AC/Heat Switch B+	Fuse Panel*	Fuse Panel
Blu	16	905	Wiper Switch B+	Fuse Panel*	Fuse Panel
Gry/Wht	18	906	Cooling Fan Switch B+	Fuse Panel*	Fuse Panel
DIMMER SWITCH SECTION					
Blu/Ylw ²	14	907	Dimmer Switch	Headlight Switch	Headlight Section B
Lt.Grn	14	908	Dimmer Switch	High Beam	Headlight Section A
Tan	14	909	Dimmer Switch	Low Beam	Headlight Section A
DOOR SECTION A					
Ylw/Blk ¹	14	910	Right Door Lock B+	Fuse Panel*	Fuse Panel
Ylw ¹	14	911	Right Power Window B+	Fuse Panel*	Fuse Panel
DOOR SECTION B					
Ylw/Blk ¹	14	912	Left Door Lock B+	Fuse Panel*	Fuse Panel
Ylw ¹	14	913	Left Power Window B+	Fuse Panel*	Fuse Panel
ENGINE SECTION					
Wht	14	914	Alternator Exciter	Fuse Panel*	Fuse Panel
Red	10	915	Alternator B+	Fuse Panel*	Fuse Panel
Blk/Wht	14	902	A/C Compressor	A/C Central Switch	Accy. Section Switches
Org	14	995	Alternator Regulator B+	Fuse Panel*	Fuse Panel
ENGINE SECTION (SINGLE WIRE)					
Red ³	10	916	Battery Positive or Starter Solenoid (Large Terminal)	Fuse Panel*	Fuse Panel
ENGINE SECTION A					
Orn ^{4, 12}	14	917	Brake Switch B+	Fuse Panel*	Fuse Panel
Wht ¹²	16	918	Brake Switch	Turn Signal Switch	Turn Signal Section
Pur ¹¹	12	919	Start Solenoid ("S" Terminal)	Ignition Switch Start	Ignition Switch Section
Pnk	14	920	Coil B+	Fuse Panel*	Fuse Panel
Lt.Grn	18	921	Temperature Sending Unit	Temperature Gauge	Instrument Panel Section
Lt.Blu/Blk	18	922	Oil Pressure Sending Unit	Oil Pressure Gauge	Instrument Panel Section
Pur/Wht	18	923	Tachometer Source	Tachometer	Instrument Panel Section
Red	18	954	Electric Choke	Fuse Panel*	Fuse Panel
HEADLIGHT SECTION A					
Grn	14	924	Horn B+	Horn Relay*	Fuse Panel
Blu	18	925	Right Front Turn Signal	Turn Signal Switch	Turn Signal Section
Lt.Blu	18	926	Left Front Turn Signal	Turn Signal Switch	Turn Signal Section
Brn	18	927	Park Lights	Headlight Switch	Headlight Switch Section
Lt.Grn	16	908	High Beam	Dimmer Switch	Dimmer Switch Section
Tan	16	909	Low Beam	Dimmer Switch	Dimmer Switch Section
Gry/Wht	18	901	Fan Relay	Fan Switch	Accessory Section Switches

Table 11-2 Wire Connection Index, 1 of 3

Color	Ga.	No.	Connect to	Wire Starting Point	Section of Starting Point
HEADLIGHT SECTION B					
Red/Blk ⁹	12	928	Headlight Switch B+	Fuse Panel*	Fuse Panel
Blu/Ylw	14	907	Headlight Switch	Dimmer Switch	Dimmer Switch Section
Brn	14	929	Headlight Switch	Tail Lights	Tail Section
Brn	18	927	Headlight Switch	Park Lights	Headlight Section A
Brn ⁷	18	930	Headlight Switch	Instr. Panel Lighting	Instrument Panel Section
Orn ¹⁰	14	959	Headlight Switch B+	Fuse Panel*	Fuse Panel
IGNITION SWITCH SECTION					
Pnk	14	931	Ignition Switch (Coil Ignition)	Fuse Panel*	Fuse Panel
Brn	12	932	Ignition Switch Accessory	Fuse Panel*	Fuse Panel
Orn	12	933	Ignition Switch Ignition	Fuse Panel*	Fuse Panel
Red ⁸	12	934	Ignition Switch B+	Fuse Panel*	Fuse Panel
Pur ⁵	12	919	Ignition Switch Start	Starter Solenoid	Engine Section A
INSTRUMENT PANEL SECTION					
Red/Wht	18	935	Voltmeter Source & Gauges B+	Fuse Panel*	Fuse Panel
Grn	18	936	High Beam Indicator	Dimmer Switch*	Dimmer Switch Section
Lt.Blu	18	937	Left Turn Indicator	Left Front Turn Signal*	Turn Signal Section
Blu	18	938	Right Turn Indicator	Right Front Turn Sig.*	Turn Signal Section
Brn	18	930	Instrument Panel Lighting	Headlight Switch	Headlight Section B
Pnk	18	939	Fuel Gauge	Fuel Sending Unit	Tail Section
Lt. Grn	18	921	Temperature Gauge	Temp. Sending Unit	Engine Section A
Lt.Blu/Blk	18	922	Oil Pressure Gauge	Oil Pres. Sending Unit	Engine Section A
Pur/Wht	18	923	Tachometer	Tachometer Source	Engine Section A
Orn/Blk	18	955	Accessory Power (Switched)	Fuse Panel*	Fuse Panel
RADIO SECTION					
Red	18	940	Radio B+ Unswitched (Constant)	Fuse Panel*	Fuse Panel
Red/Blk	18	941	Radio B+ Switched	Fuse Panel*	Fuse Panel
Pur/Blk	18	942	Radio: Power Antenna	Power Antenna	Tail Section
Clear ^{1,6}	20	943	Radio Right Rear Speaker Out	Right Rear Speaker	Speaker Section
Clear ^{1,6}	20	944	Radio Left Rear Speaker Out	Left Rear Speaker	Speaker Section
SPEAKER SECTION					
Clear ^{1,6}	20	943	Right Rear Speaker	Radio R. Rear Spkr.Out	Radio Section
Clear ^{1,6}	20	944	Left Rear Speaker	Radio L. Rear Spkr.Out	Radio Section
TAIL SECTION					
Wht	18	945	Dome Lights B+	Fuse Panel*	Fuse Panel
Grn/Blk ¹	16	946	Trunk Accessory Light B+	Fuse Panel*	Fuse Panel
Ylw/Wht ¹	14	947	Electric Fuel Pump B+	Fuse Panel*	Fuse Panel
Grn	14	948	Right Rear Turn Signal	Turn Signal Switch	Turn Signal Section
Ylw	14	949	Left Rear Turn Signal	Turn Signal Switch	Turn Signal Section
Pnk	18	939	Fuel Sending Unit	Fuel Gauge	Instrument Panel Section
Brn	14	929	Tail Lights	Headlight Switch	Headlight Section B
Pur/Blk ¹	18	942	Power Antenna	Radio: Power Antenna	Radio Section
Orn	18	950	Third Brake Light	Turn Signal Switch*	Turn Signal Section
Lt.Grn ¹	18	956	Backup Lights	Backup Switch	Cruise Control Section
Blk	18	961	Dome Light Ground	Interior Light Harness	Near Fuse Panel

Table 11-2 Wire Connection Index, 2 of 3

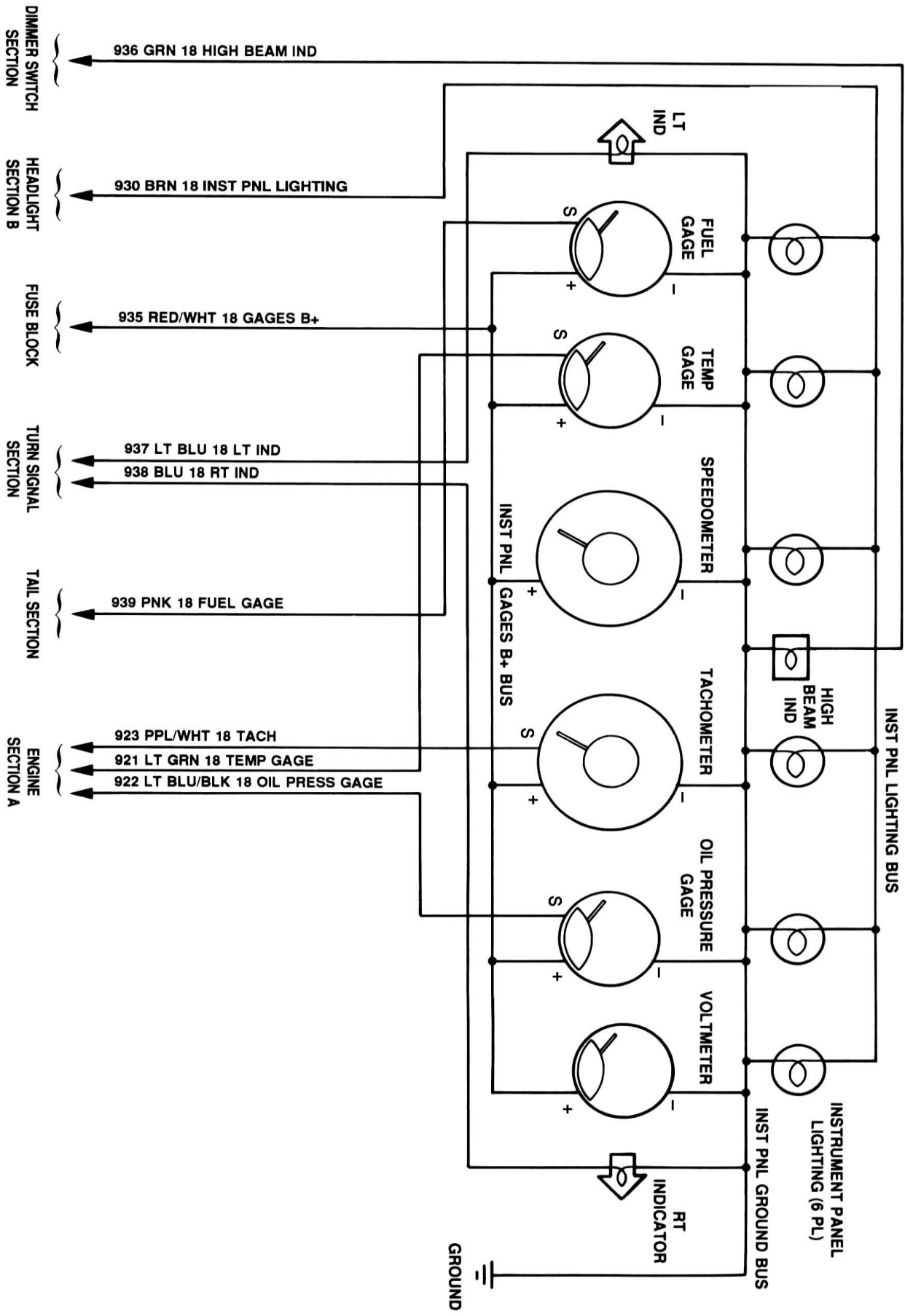
TURN SIGNAL SECTION					
Brn	16	951	Emergency Flasher Switch B+	Emer. Flasher Relay*	Fuse Panel
Pur	16	952	Turn Signal Switch Flasher B+	Turn Flasher Relay*	Fuse Panel
Blk	18	953	Horn Switch	Horn Relay*	Fuse Panel
Grn	14	948	Turn Signal Switch	Right Rear Turn Signal	Tail Section
Ylw	14	949	Turn Signal Switch	Left Rear Turn Signal	Tail Section
Blu	18	925	Turn Signal Switch	Right Front Turn Signal	Headlight Section A
Wht	16	918	Turn Signal Switch	Brake Switch	Engine Section A
Lt.Blu	18	926	Turn Signal Switch	Left Front Turn Signal	Headlight Section A
CRUISE CONTROL SECTION					
Pnk ¹	18	957	Cruise Control Switch	Fuse Panel*	Fuse Panel
Lt.Gr ¹	18	958	Backup Switch	Fuse Panel*	Fuse Panel
Lt.Gr ¹	18	956	Backup Switch	Backup Lights	Tail Section

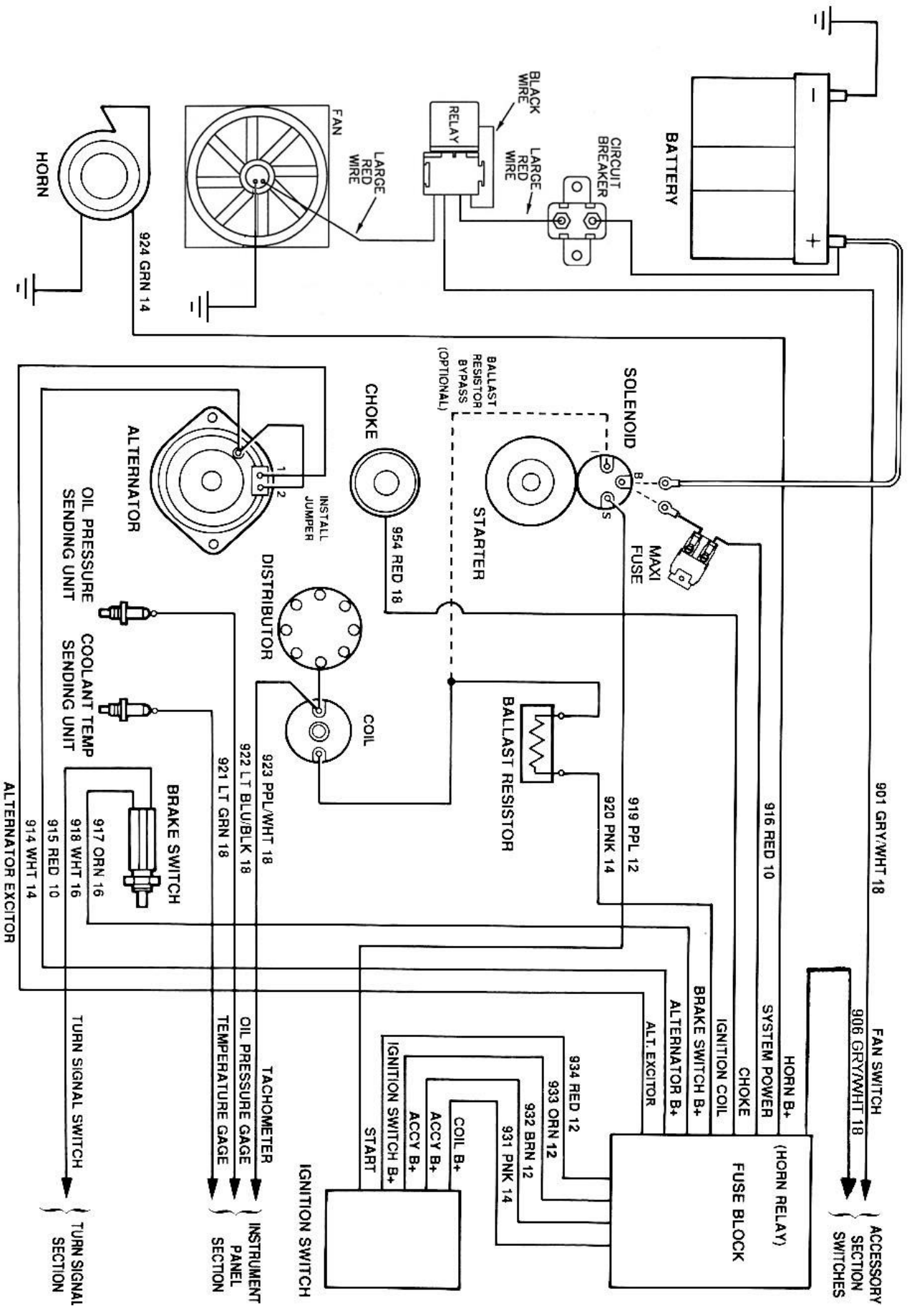
Table 11-2 Wire Connection Index, 3 of 3

NOTES:

1. Depending upon the particular wire harness you purchased, you may not have some of these wires.
2. 2-color wires: 2nd color (stripe) may not be intense color. Observe two-color wires closely.
3. This section consists of only one large (10 gauge) wire.
4. From fuse panel to brake switch.
5. This wire is cut and spade lugs have been installed (GM-keyed kits only) so that your existing neutral safety switch circuit can be wired into your harness. The neutral safety switch is located at the base of General Motors and Ford steering columns and in Mopar transmissions. Do not attempt to defeat your automobile's neutral safety switch. If your automobile does not have a neutral safety switch, please install one.
6. These are two (2) wires, bonded together. One wire is Speaker POSITIVE (+) and the other wire is Speaker NEGATIVE (-).
7. This wire needs to go from the headlight switch to the instrument panel lights.
8. There are two (2) Red 934 wires that MUST both be connected to the "Batt" terminal of the ignition switch. These wires supply all of the ignition switched power that goes to the fuse panel and both are needed because of the amount of power required to power all of the accessories.
9. This wire is power for the portion of the headlight switch that goes out to the headlights and front parking lights.
10. This wire is power for the portion of the headlight switch that goes out to the instrument panel lights and the tail lights. **NOTE: This wire is only used if your headlight switch has two power input terminals.**
11. Non-GM keyed column harnesses have 48" of extra length to accommodate a floor shifter. If a floor shifter is being used, utilize this extra length to route the 919 Purple to the neutral safety switch on the shifter or transmission and then to the starter solenoid. If not using a floor shifter, cut 919 Purple to length needed for starter solenoid and discard extra length.
12. Kit 20104 has these wires located near the turn signal and ignition switch section wires.

INSTRUMENT PANEL SECTION WIRING





ENGINE WIRING

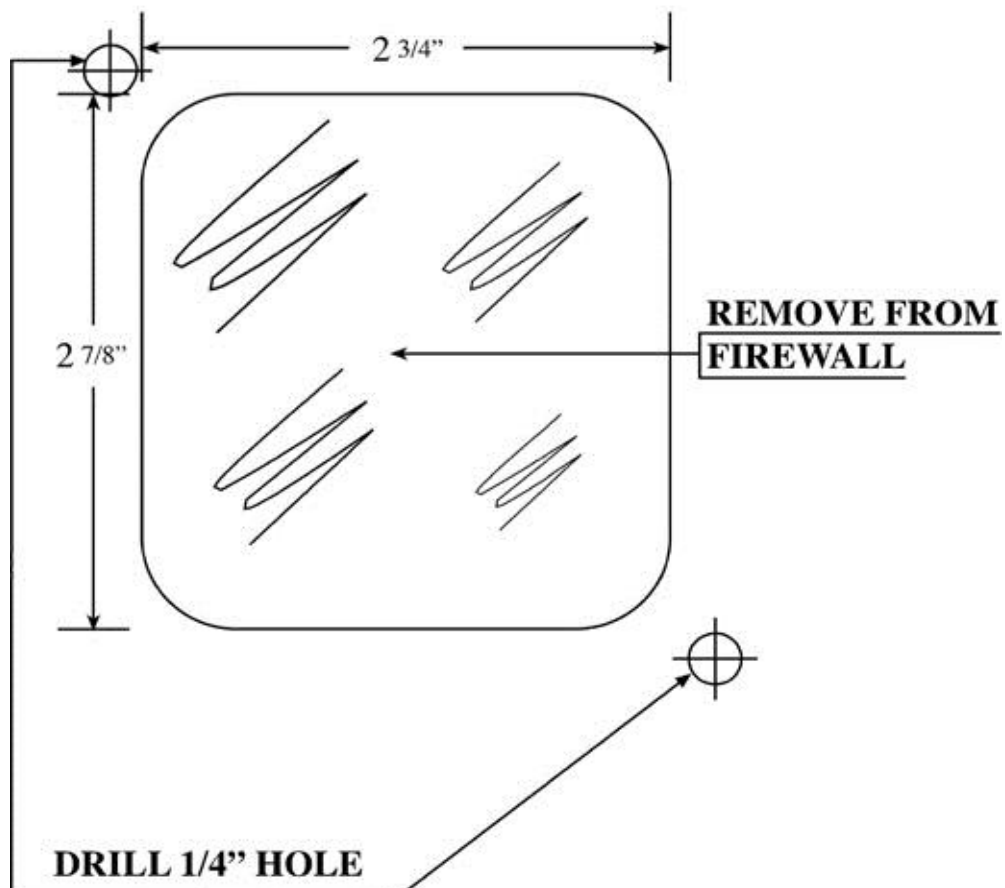
Use this firewall opening template for the following part numbers:

Part #20103 – Universal Muscle Car Harness (12 circuit/ Non-GM column)

Part #20104 – Universal Muscle Car Harness (18 circuit/ Non-GM column)

NOTE: The template drawing on this page may not be to scale, double check your measurements with the dimensions on the drawing before cutting the opening.

FIREWALL OPENING TEMPLATE



Painless Performance Limited Warranty and Return Policy

Chassis harnesses, fuel injection harnesses and Striker ColdShot units are covered under a lifetime warranty.

All other products manufactured and/or sold by Painless Performance are warranted to the original purchaser to be free from defects in material and workmanship under normal use. Painless Performance will repair or replace defective products without charge during the first 12 months from the purchase date. No products will be considered for warranty without a copy of the purchase receipt showing the sellers name, address and date of purchase. You must return the product to the dealer you purchased it from to initiate warranty procedures.