



30805 & 30806

INSTALLATION INSTRUCTIONS

THIS KIT IS FOR CONVERTING TO A GM KEYED STEERING COLUMN OR REPLACING WORN OR DAMAGED CONNECTORS.

IGNITION SWITCH COLOR CODES (WHITE HOUSING)

BROWN	ACCESSORY
RED	BATTERY POWER (B+)
PINK	IGNITION COIL (USES SMALLER WIRE SIZE TERMINAL)
PURPLE	START

IGNITION SWITCH COLOR CODES (BLACK HOUSING)

RED	BATTERY POWER (B+)
ORANGE	ACCESSORY

NOTE: THE ORANGE WIRE REQUIRES A LARGER TERMINAL (COPPER COLOR) THAN THE OTHER WIRES.

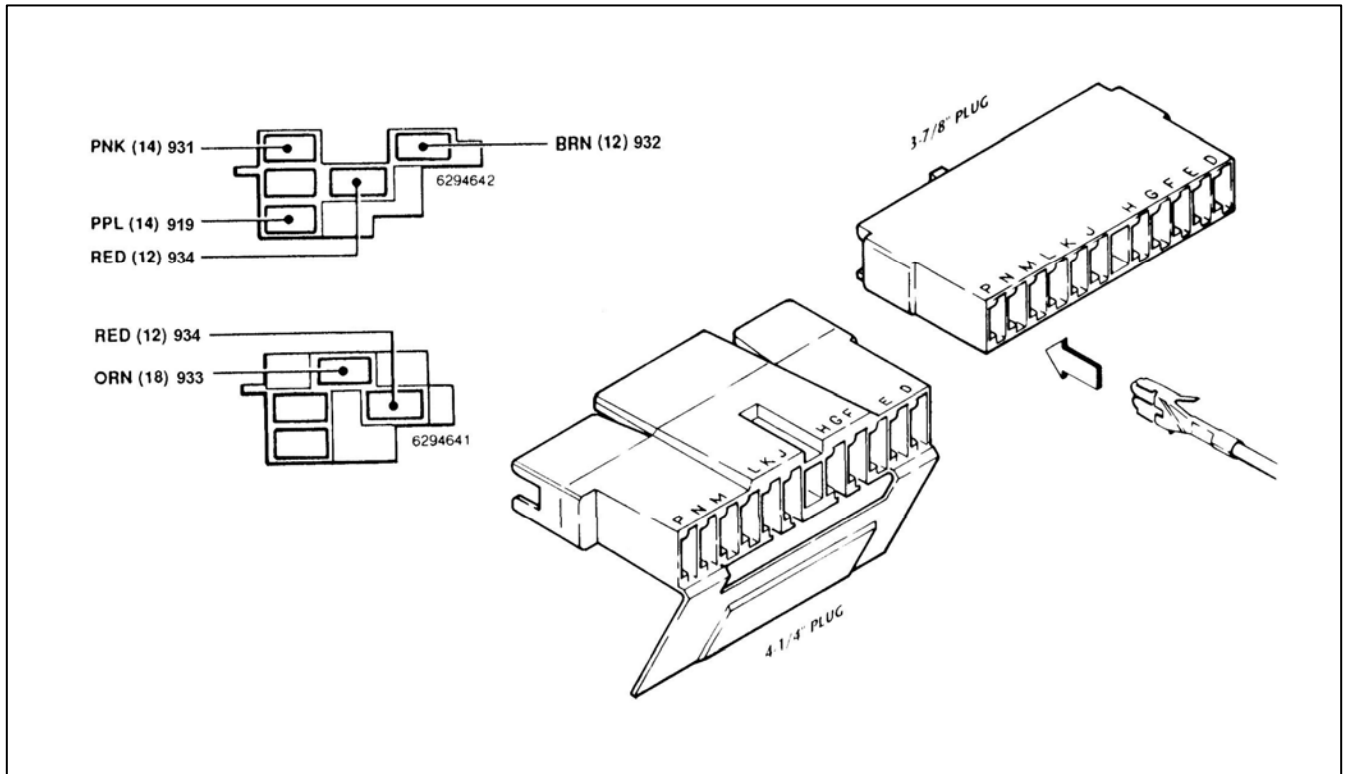
TURN SIGNAL COLOR CODES (BLACK AND WHITE HOUSINGS) WIRE PORT

BLACK	HORN GROUND	G
LT.BLUE	LEFT FRONT TURN	H
BLUE	RIGHT FRONT TURN	J
BROWN	HAZARD POWER	K
PURPLE	TURN SIGNAL POWER	L
YELLOW	LEFT REAR TURN	M
GREEN	RIGHT REAR TURN	N
WHITE	BRAKE LIGHT INPUT	P

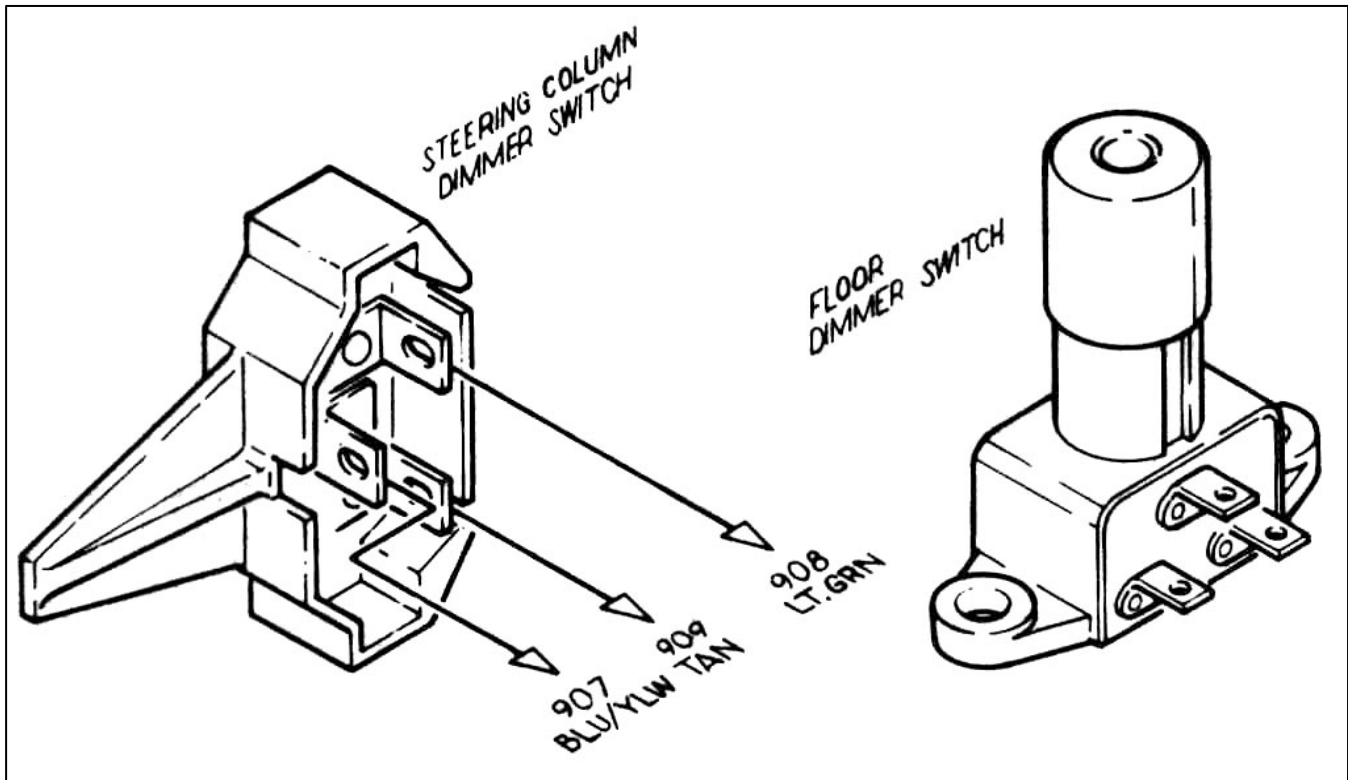
DIMMER SWITCH COLOR CODES (BLACK PYRAMID HOUSING)

BLUE/YELLOW	POWER FROM LIGHT SWITCH
TAN	LOW BEAM LIGHTS
LT.GREEN	HIGH BEAM LIGHTS

NOTE: THE COLUMN MOUNTED AND FLOOR MOUNTED SWITCHES USE THE SAME CONNECTOR ASSEMBLY.



General Motors Turn Signal Connector



Dimmer Switches