



30702

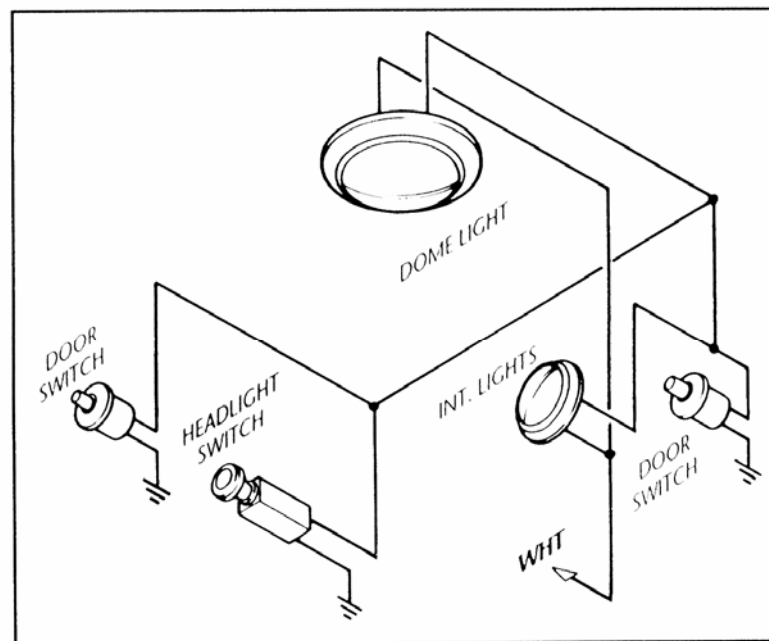
COURTESY LIGHT KIT INSTALLATION INSTRUCTIONS

THIS KIT CONTAINS TWO (2) LIGHT SOCKET ASSEMBLIES WHICH ARE DESIGNED TO MOUNT UNDER THE DASH FOR ILLUMINATION OF THE FRONT SEAT FLOOR AREA OF INTERIOR.

MOUNT THE PLASTIC HOUSINGS BY DRILLING A SMALL HOLE (APPROXIMATELY 3/16") IN THE LOWER ROLL OF THE DASH OR KICK PANEL AND MOUNT USING THE SCREWS PROVIDED. THE SCREWS GO THROUGH THE HOLE AND INTO THE HOLE MOLDED INTO THE PLASTIC.

THE WHITE WIRE IS ATTACHED TO YOUR DOME LIGHT POWER LINE (B+) AND THE BLACK WIRE GOES TO THE LIGHT SWITCH DOME LIGHT GROUND TERMINAL ON THE HEADLIGHT SWITCH AND/OR THE DOOR JAMB SWITCH.

NOTE: BY ATTACHING THE BLACK WIRES OF BOTH LIGHTS TOGETHER, AND THEN TO THE JAMB AND/OR LIGHT SWITCH, BOTH LIGHTS WILL COME ON AT THE SAME TIME.



[View other automotive electrical parts made by Painless Performance on our website.](#)