

# RANGE CYLINDER KIT

# GKT-3758



**Description:** RANGE CYLINDER KIT  
**SKU:** GKT-3758  
**OEM:** 207SH38  
**Product Group:** TRANSMISSION  
**Product Class:** BEARINGS; BEARING, SEAL & GASKET KITS  
**UPC Code:** 193807208523  
**Sell Pack:** 1 EA  
**Weight:** 0.09 LBS  
**Warranty:** 2 Years

**Details:**

Range Cylinder kit  
 Mack T2090 / T2100 / T2110B / T2130 / T310M / T318L Transmission application

**E-Catalog Pages:**

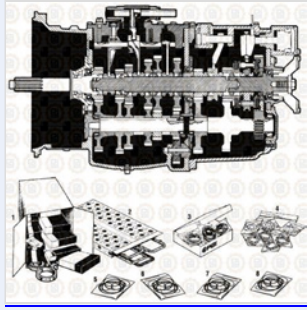
Catalog Page	Description
	<p><b>Drive Train 2016</b>                      Shifter Components - T2070 B &amp; D</p>

**Copyright © 2020 PAI Industries, Inc.**  
 All rights reserved. All content is property of PAI Industries, Inc, and may not be reproduced or redistributed in any form.

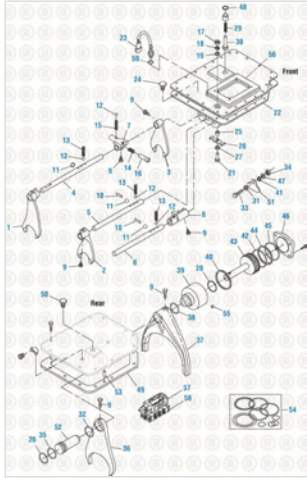
Any reference to OEM names or OEM product identification numbers/descriptions/model numbers is for identification only and does not indicate that it is an OEM part. PAI is not affiliated with Mack Truck, Inc.®, Volvo®, Fuller®, Cummins®, Eaton®, Rockwell®, Caterpillar®, Freightliner®, Hendrickson®, Kenworth®, Detroit Diesel®, International®, Peterbilt®, or Dana®. All Manufacturer's names, numbers, symbols and descriptions are used for reference only. It is not implied that any part listed is the product of these manufacturers.

# RANGE CYLINDER KIT

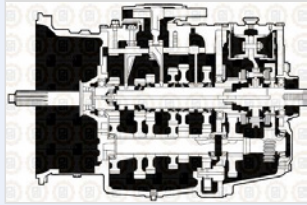
# GKT-3758



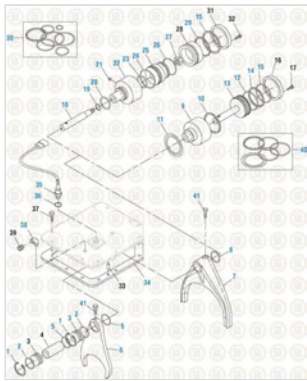
**Drive Train 2016**  
13/18 Speed Transmission - T2130 and T2180



**Drive Train 2016**  
Shifter Components - T2130 and T2180



**Drive Train 2016**  
T309L and T310 - Transmission - T309L and T310



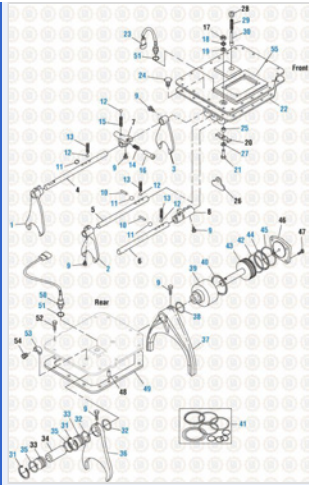
**Drive Train 2016**  
Rear Shifter Components - T2110 B and D

Copyright © 2020 PAI Industries, Inc.  
All rights reserved. All content is property of PAI Industries, Inc, and may not be reproduced or redistributed in any form.

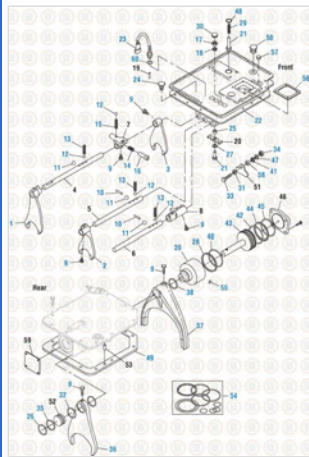
Any reference to OEM names or OEM product identification numbers/descriptions/model numbers is for identification only and does not indicate that it is an OEM part. PAI is not affiliated with Mack Truck, Inc.®, Volvo®, Fuller®, Cummins®, Eaton®, Rockwell®, Caterpillar®, Freightliner®, Hendrickson®, Kenworth®, Detroit Diesel®, International®, Peterbilt®, or Dana®. All Manufacturer's names, numbers, symbols and descriptions are used for reference only. It is not implied that any part listed is the product of these manufacturers.

# RANGE CYLINDER KIT

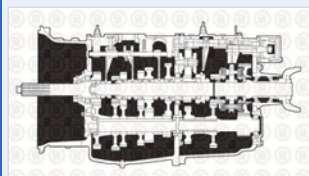
# GKT-3758



**Drive Train 2016**  
Shifter Components - T309L and T310



**Drive Train 2016**  
Shifter Components - T313L and T318L



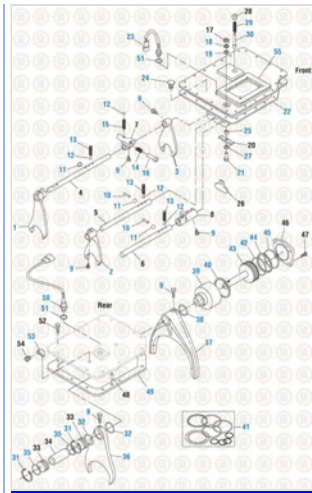
**Drive Train 2016**  
Transmission Kits - T310M

Copyright © 2020 PAI Industries, Inc.  
All rights reserved. All content is property of PAI Industries, Inc, and may not be reproduced or redistributed in any form.

Any reference to OEM names or OEM product identification numbers/descriptions/model numbers is for identification only and does not indicate that it is an OEM part. PAI is not affiliated with Mack Truck, Inc.®, Volvo®, Fuller®, Cummins®, Eaton®, Rockwell®, Caterpillar®, Freightliner®, Hendrickson®, Kenworth®, Detroit Diesel®, International®, Peterbilt®, or Dana®. All Manufacturer's names, numbers, symbols and descriptions are used for reference only. It is not implied that any part listed is the product of these manufacturers.

# RANGE CYLINDER KIT

# GKT-3758



**Drive Train 2016**  
Shifter Components - T310M





Consists Of:					
SKU	OEM	Image	Description	Quantity	
<a href="#">GWR-2914</a>	89KB21		WEAR RING	1	
<a href="#">GGA-2915</a>	561KC22		O-RING	1	
<a href="#">GGA-2916</a>	561KC23		O-RING	1	
<a href="#">GGK-2913</a>	629KB251		RANGE HOUSING CYLINDER GASKET	1	

Copyright © 2020 PAI Industries, Inc.  
All rights reserved. All content is property of PAI Industries, Inc. and may not be reproduced or redistributed in any form.

Any reference to OEM names or OEM product identification numbers/descriptions/model numbers is for identification only and does not indicate that it is an OEM part. PAI is not affiliated with Mack Truck, Inc.®, Volvo®, Fuller®, Cummins®, Eaton®, Rockwell®, Caterpillar®, Freightliner®, Hendrickson®, Kenworth®, Detroit Diesel®, International®, Peterbilt®, or Dana®. All Manufacturer's names, numbers, symbols and descriptions are used for reference only. It is not implied that any part listed is the product of these manufacturers.

# RANGE CYLINDER KIT

# GKT-3758

<a href="#">GGA-2933</a>	56AX558		O-RING	1
<a href="#">EF30150</a>	14765		O-RING	2
<a href="#">GGA-2937</a>	56AX568		O-RING	2
<a href="#">GGA-2931</a>	56AX552		O-RING	1

### Component Of:

SKU	Image	Description
<a href="#">806870</a>		BEARING AND SEAL KIT

### Cross Reference:

Manufacturer	OEM Number
MACK	207SH40
MACK	207SH38

Copyright © 2020 PAI Industries, Inc.  
 All rights reserved. All content is property of PAI Industries, Inc. and may not be reproduced or redistributed in any form.

Any reference to OEM names or OEM product identification numbers/descriptions/model numbers is for identification only and does not indicate that it is an OEM part. PAI is not affiliated with Mack Truck, Inc., Volvo®, Fuller®, Cummins®, Eaton®, Rockwell®, Caterpillar®, Freightliner®, Hendrickson®, Kenworth®, Detroit Diesel®, International®, Peterbilt®, or Dana®. All Manufacturer's names, numbers, symbols and descriptions are used for reference only. It is not implied that any part listed is the product of these manufacturers.