

FRONT COVER GASKET

GGK-3921



Description: FRONT COVER GASKET
SKU: GGK-3921
OEM: 629KB328B
Product Group: TRANSMISSION
Product Class: BEARINGS; BEARING, SEAL & GASKET KITS
UPC Code: 193807210342
Sell Pack: 5 EA
 (Available to buy in increments of 5)
Weight: 0.07 LBS
Warranty: 2 Years



Details:

Front Cover Gasket
 0.016in Thickness
 Mack T2050 / T2060/A / T2070/A/B/C/D / T2080/B / T2090 / T2100 / T2110 B/D T2130 / T2180 / T309L / T310/M / T313L / T318L
 Transmission Application

E-Catalog Pages:

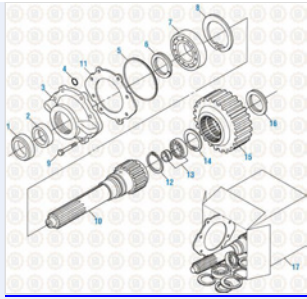
| Catalog Page | Description |
|--------------|---|
| | <p>Drive Train 2016 Input Shaft Components - T2080B</p> |

Copyright © 2020 PAI Industries, Inc.
 All rights reserved. All content is property of PAI Industries, Inc, and may not be reproduced or redistributed in any form.

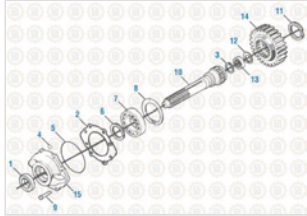
Any reference to OEM names or OEM product identification numbers/descriptions/model numbers is for identification only and does not indicate that it is an OEM part. PAI is not affiliated with Mack Truck, Inc.®, Volvo®, Fuller®, Cummins®, Eaton®, Rockwell®, Caterpillar®, Freightliner®, Hendrickson®, Kenworth®, Detroit Diesel®, International®, Peterbilt®, or Dana®. All Manufacturer's names, numbers, symbols and descriptions are used for reference only. It is not implied that any part listed is the product of these manufacturers.

FRONT COVER GASKET

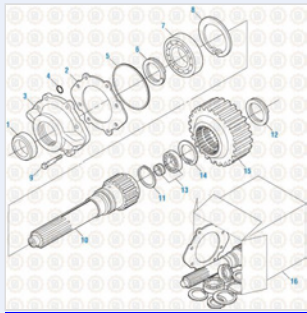
GGK-3921



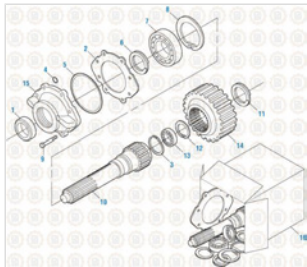
Drive Train 2016
Input Shaft - T2080, T2090 and T2100



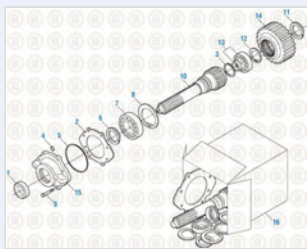
Drive Train 2016
Input Shaft Components - T2060A



Drive Train 2016
Input Shaft Components - T2110 B and D



Drive Train 2016
Input Shaft Components - T2050



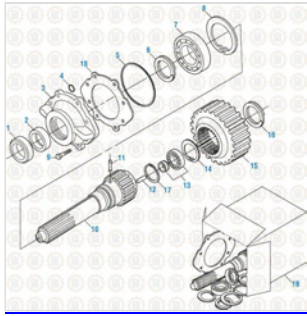
Drive Train 2016
Input Shaft Components - T2060 & T2070

Copyright © 2020 PAI Industries, Inc.
All rights reserved. All content is property of PAI Industries, Inc. and may not be reproduced or redistributed in any form.

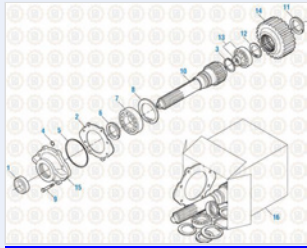
Any reference to OEM names or OEM product identification numbers/descriptions/model numbers is for identification only and does not indicate that it is an OEM part. PAI is not affiliated with Mack Truck, Inc.®, Volvo®, Fuller®, Cummins®, Eaton®, Rockwell®, Caterpillar®, Freightliner®, Hendrickson®, Kenworth®, Detroit Diesel®, International®, Peterbilt®, or Dana®. All Manufacturer's names, numbers, symbols and descriptions are used for reference only. It is not implied that any part listed is the product of these manufacturers.

FRONT COVER GASKET

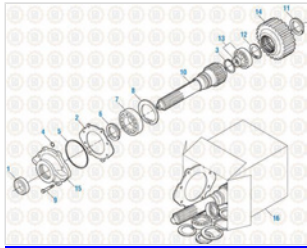
GGK-3921



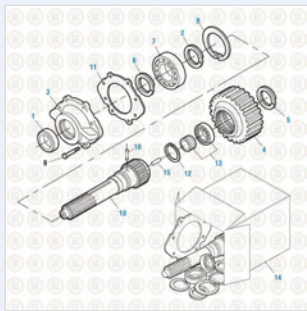
Drive Train 2016
Input Shaft Components - T2130 and T2180



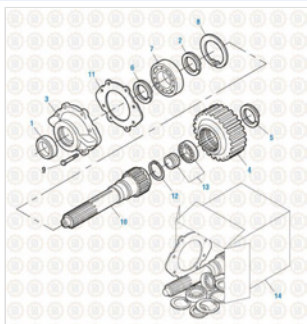
Drive Train 2016
Input Shaft Components - T2070 A & C



Drive Train 2016
Input Shaft Components - T2070 B & D



Drive Train 2016
T309L and T310 - Input Shaft - T309L and T310



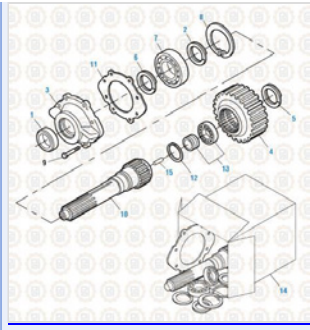
Drive Train 2016
Input Shaft - T313L and T318L

Copyright © 2020 PAI Industries, Inc.
All rights reserved. All content is property of PAI Industries, Inc. and may not be reproduced or redistributed in any form.

Any reference to OEM names or OEM product identification numbers/descriptions/model numbers is for identification only and does not indicate that it is an OEM part. PAI is not affiliated with Mack Truck, Inc.®, Volvo®, Fuller®, Cummins®, Eaton®, Rockwell®, Caterpillar®, Freightliner®, Hendrickson®, Kenworth®, Detroit Diesel®, International®, Peterbilt®, or Dana®. All Manufacturer's names, numbers, symbols and descriptions are used for reference only. It is not implied that any part listed is the product of these manufacturers.

FRONT COVER GASKET

GGK-3921



Drive Train 2016
Input Shaft - T310M

Component Of:



| SKU | Image | Description |
|------------------------------|-------|-------------------------|
| GGK-3838 | | GASKET KIT |
| GGK-3971 | | TRANSMISSION GASKET KIT |
| GBK-5942 | | BEARING AND SEAL KIT |
| GBK-8955-300 | | GASKET AND SEAL KIT |
| GBK-8956 | . | BEARING AND SEAL KIT |
| GBK-8957 | . | BEARING AND SEAL KIT |
| GBK-8958-300 | . | GASKET AND SEAL KIT |

Copyright © 2020 PAI Industries, Inc.
All rights reserved. All content is property of PAI Industries, Inc. and may not be reproduced or redistributed in any form.

Any reference to OEM names or OEM product identification numbers/descriptions/model numbers is for identification only and does not indicate that it is an OEM part. PAI is not affiliated with Mack Truck, Inc.®, Volvo®, Fuller®, Cummins®, Eaton®, Rockwell®, Caterpillar®, Freightliner®, Hendrickson®, Kenworth®, Detroit Diesel®, International®, Peterbilt®, or Dana®. All Manufacturer's names, numbers, symbols and descriptions are used for reference only. It is not implied that any part listed is the product of these manufacturers.

FRONT COVER GASKET

GGK-3921

| | | |
|------------------------|---|-----------------|
| 806850 |  | INPUT SHAFT KIT |
| 806860 |  | GASKET KIT |

| Cross Reference: | |
|------------------|------------|
| Manufacturer | OEM Number |
| MACK | 629KB328A |
| MACK | 629KB328 |
| MACK | 629KB328B |
| MACK | 25499489 |

Copyright © 2020 PAI Industries, Inc.
 All rights reserved. All content is property of PAI Industries, Inc. and may not be reproduced or redistributed in any form.

Any reference to OEM names or OEM product identification numbers/descriptions/model numbers is for identification only and does not indicate that it is an OEM part. PAI is not affiliated with Mack Truck, Inc.®, Volvo®, Fuller®, Cummins®, Eaton®, Rockwell®, Caterpillar®, Freightliner®, Hendrickson®, Kenworth®, Detroit Diesel®, International®, Peterbilt®, or Dana®. All Manufacturer's names, numbers, symbols and descriptions are used for reference only. It is not implied that any part listed is the product of these manufacturers.