

GASKET

GGK-3834



Description: GASKET
SKU: GGK-3834
OEM: 629KB250
Product Group: TRANSMISSION
Product Class: BEARINGS; BEARING, SEAL & GASKET KITS
UPC Code: 193807209216
Sell Pack: 5 EA
 (Available to buy in increments of 5)
Weight: 0.21 LBS
Warranty: 2 Years



Details:
 Shifter gasket
 New style
 Mack TRL-107 / TRL-1076/1078 / TRXL-107 / TRDXL-107 / TRDL/TRDLG-107/1070 / TRQ-7220 Transmission application

E-Catalog Pages:

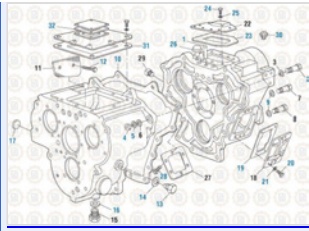
Catalog Page	Description
	<p>Web Electronic Shifter Components - Mack Transmission</p>

Copyright © 2020 PAI Industries, Inc.
 All rights reserved. All content is property of PAI Industries, Inc. and may not be reproduced or redistributed in any form.

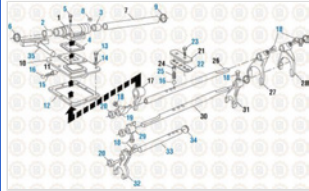
Any reference to OEM names or OEM product identification numbers/descriptions/model numbers is for identification only and does not indicate that it is an OEM part. PAI is not affiliated with Mack Truck, Inc.®, Volvo®, Fuller®, Cummins®, Eaton®, Rockwell®, Caterpillar®, Freightliner®, Hendrickson®, Kenworth®, Detroit Diesel®, International®, Peterbilt®, or Dana®. All Manufacturer's names, numbers, symbols and descriptions are used for reference only. It is not implied that any part listed is the product of these manufacturers.

GASKET

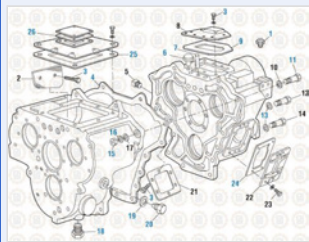
GGK-3834



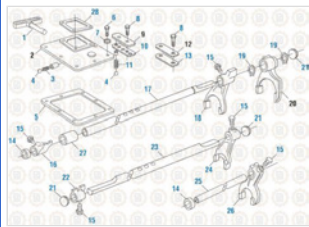
Web Electronic
Main and Rear Case Assembly - Mack Transmission



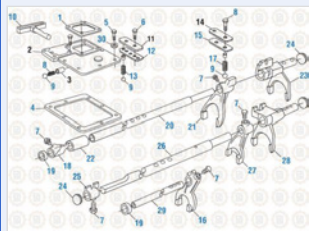
Web Electronic
Shifter Components - Mack Transmission



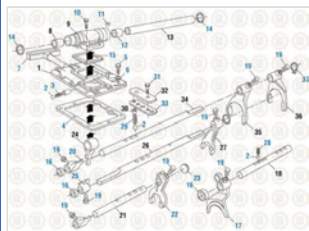
Web Electronic
Main and Rear Case Assembly - Mack Transmission



Web Electronic
Shifter Components - Mack Transmission



Web Electronic
Shifter Components - Mack Transmission



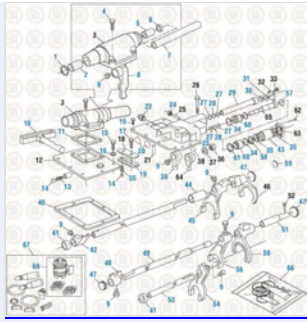
Web Electronic
Shifter Components - Mack Transmission

Copyright © 2020 PAI Industries, Inc.
All rights reserved. All content is property of PAI Industries, Inc. and may not be reproduced or redistributed in any form.

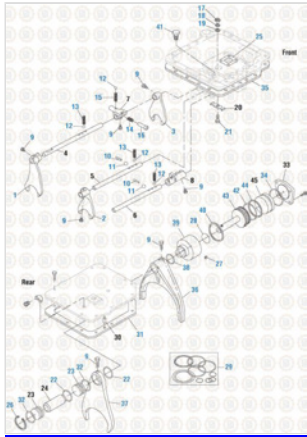
Any reference to OEM names or OEM product identification numbers/descriptions/model numbers is for identification only and does not indicate that it is an OEM part. PAI is not affiliated with Mack Truck, Inc.®, Volvo®, Fuller®, Cummins®, Eaton®, Rockwell®, Caterpillar®, Freightliner®, Hendrickson®, Kenworth®, Detroit Diesel®, International®, Peterbilt®, or Dana®. All Manufacturer's names, numbers, symbols and descriptions are used for reference only. It is not implied that any part listed is the product of these manufacturers.

GASKET

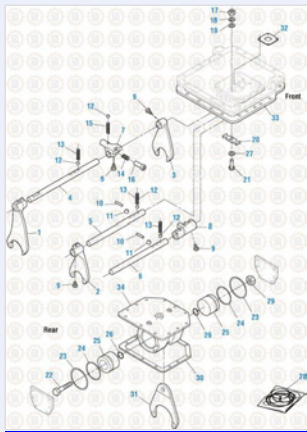
GGK-3834



Web Electronic
Shifter Components - Mack Transmission



Drive Train 2016
Shifter Components - T2070 B & D



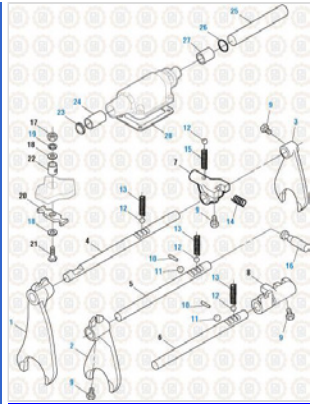
Drive Train 2016
Shifter Components - T2080, T2090 and T2100

Copyright © 2020 PAI Industries, Inc.
All rights reserved. All content is property of PAI Industries, Inc. and may not be reproduced or redistributed in any form.

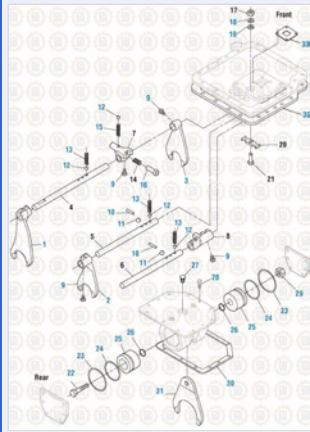
Any reference to OEM names or OEM product identification numbers/descriptions/model numbers is for identification only and does not indicate that it is an OEM part. PAI is not affiliated with Mack Truck, Inc.®, Volvo®, Fuller®, Cummins®, Eaton®, Rockwell®, Caterpillar®, Freightliner®, Hendrickson®, Kenworth®, Detroit Diesel®, International®, Peterbilt®, or Dana®. All Manufacturer's names, numbers, symbols and descriptions are used for reference only. It is not implied that any part listed is the product of these manufacturers.

GASKET

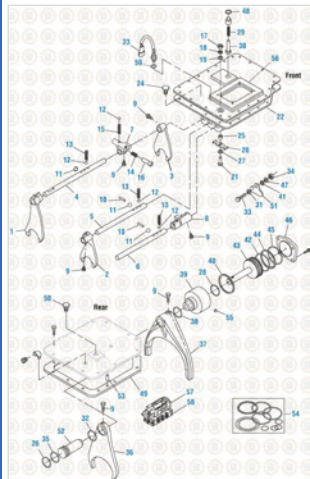
GGK-3834



Drive Train 2016
Shifter Components - T2050



Drive Train 2016
Shifter Components - T2060 & T2070



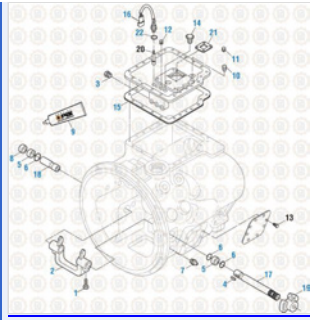
Drive Train 2016
Shifter Components - T2130 and T2180

Copyright © 2020 PAI Industries, Inc.
All rights reserved. All content is property of PAI Industries, Inc. and may not be reproduced or redistributed in any form.

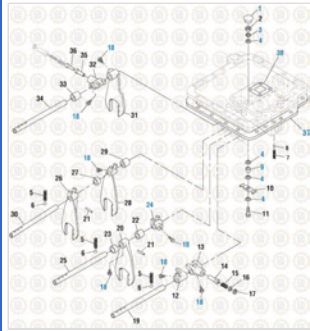
Any reference to OEM names or OEM product identification numbers/descriptions/model numbers is for identification only and does not indicate that it is an OEM part. PAI is not affiliated with Mack Truck, Inc.®, Volvo®, Fuller®, Cummins®, Eaton®, Rockwell®, Caterpillar®, Freightliner®, Hendrickson®, Kenworth®, Detroit Diesel®, International®, Peterbilt®, or Dana®. All Manufacturer's names, numbers, symbols and descriptions are used for reference only. It is not implied that any part listed is the product of these manufacturers.

GASKET

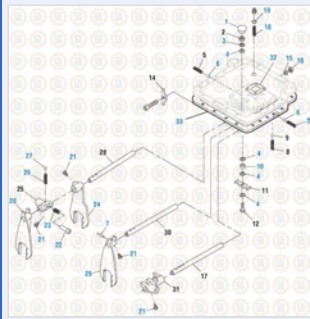
GGK-3834



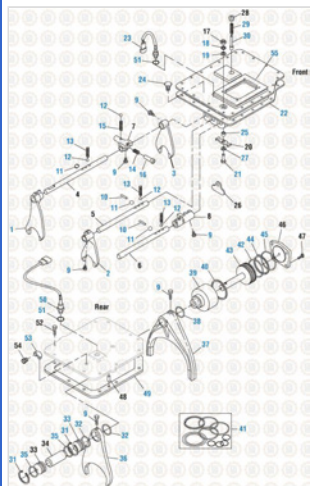
Drive Train 2016
Case and Cover Assembly - T2060A



Drive Train 2016
Shifter Components - T2060A



Drive Train 2016
Front Shifter Components - T2110 B and D



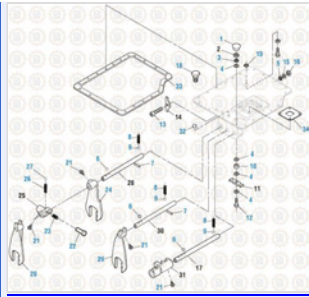
Drive Train 2016
Shifter Components - T309L and T310

Copyright © 2020 PAI Industries, Inc.
All rights reserved. All content is property of PAI Industries, Inc. and may not be reproduced or redistributed in any form.

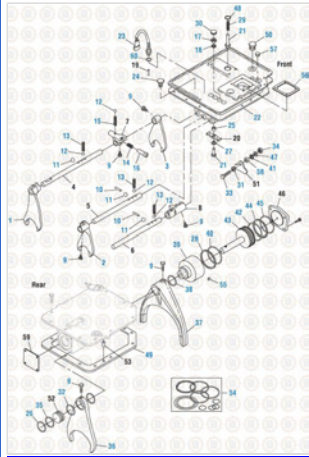
Any reference to OEM names or OEM product identification numbers/descriptions/model numbers is for identification only and does not indicate that it is an OEM part. PAI is not affiliated with Mack Truck, Inc.®, Volvo®, Fuller®, Cummins®, Eaton®, Rockwell®, Caterpillar®, Freightliner®, Hendrickson®, Kenworth®, Detroit Diesel®, International®, Peterbilt®, or Dana®. All Manufacturer's names, numbers, symbols and descriptions are used for reference only. It is not implied that any part listed is the product of these manufacturers.

GASKET

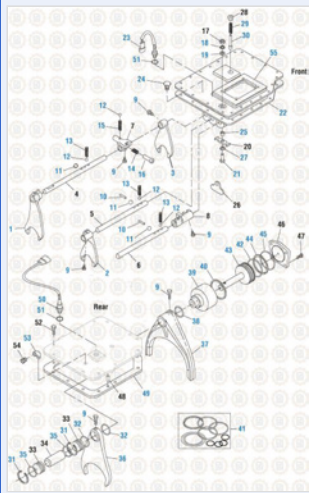
GGK-3834



Drive Train 2016
Front Shifter Components - T2080B



Drive Train 2016
Shifter Components - T313L and T318L



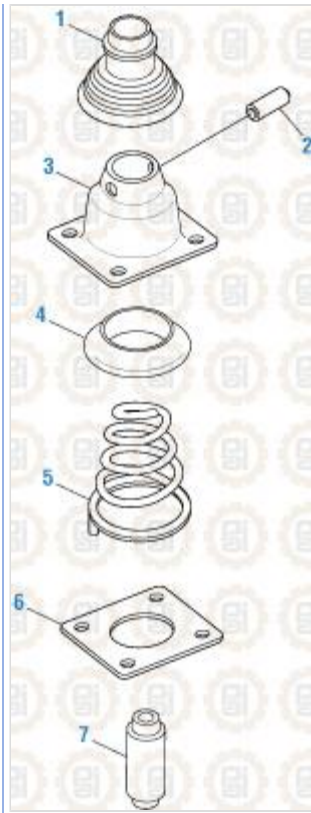
Drive Train 2016
Shifter Components - T310M

Copyright © 2020 PAI Industries, Inc.
All rights reserved. All content is property of PAI Industries, Inc. and may not be reproduced or redistributed in any form.

Any reference to OEM names or OEM product identification numbers/descriptions/model numbers is for identification only and does not indicate that it is an OEM part. PAI is not affiliated with Mack Truck, Inc.®, Volvo®, Fuller®, Cummins®, Eaton®, Rockwell®, Caterpillar®, Freightliner®, Hendrickson®, Kenworth®, Detroit Diesel®, International®, Peterbilt®, or Dana®. All Manufacturer's names, numbers, symbols and descriptions are used for reference only. It is not implied that any part listed is the product of these manufacturers.


GASKET

GGK-3834



Drive Train 2016
Shifter Lever - Transmission

Component Of:

SKU	Image	Description
GBK-8955-300		GASKET AND SEAL KIT

Cross Reference:

Manufacturer	OEM Number
MACK	629KB250
MACK	25158604

Copyright © 2020 PAI Industries, Inc.
All rights reserved. All content is property of PAI Industries, Inc. and may not be reproduced or redistributed in any form.

Any reference to OEM names or OEM product identification numbers/descriptions/model numbers is for identification only and does not indicate that it is an OEM part. PAI is not affiliated with Mack Truck, Inc.®, Volvo®, Fuller®, Cummins®, Eaton®, Rockwell®, Caterpillar®, Freightliner®, Hendrickson®, Kenworth®, Detroit Diesel®, International®, Peterbilt®, or Dana®. All Manufacturer's names, numbers, symbols and descriptions are used for reference only. It is not implied that any part listed is the product of these manufacturers.