

OIL CAP

EFC-8552



Description:	OIL CAP
SKU:	EFC-8552
OEM:	222GB27A
Product Group:	ENGINE PARTS
Product Class:	VALVE COVERS & GASKETS, OIL FILL PARTS
UPC Code:	193807260095
Sell Pack:	1 EA
Weight:	0.46 LBS
Package Dimensions (LxWxH):	3 x 3 x 4 inches
Warranty:	2 Years

Details:

Oil Cap
 2in without Chain
 Bottle Stopper Type
 Used with EFT-8548 and EFT-8549 Oil Filler Tube

E-Catalog Pages:

Catalog Page

Description



PAI Mack & Volvo Applications 2018
 Oil Filler Tubes, Oil Caps and Components - Miscellaneous

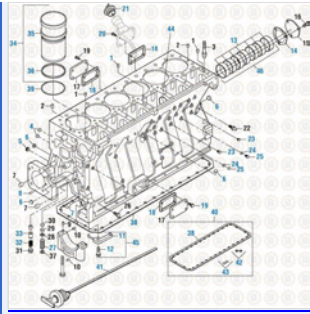
Copyright © 2020 PAI Industries, Inc.

All rights reserved. All content is property of PAI Industries, Inc, and may not be reproduced or redistributed in any form.

Any reference to OEM names or OEM product identification numbers/descriptions/model numbers is for identification only and does not indicate that it is an OEM part. PAI is not affiliated with Mack Truck, Inc.®, Volvo®, Fuller®, Cummins®, Eaton®, Rockwell®, Caterpillar®, Freightliner®, Hendrickson®, Kenworth®, Detroit Diesel®, International®, Peterbilt®, or Dana®. All Manufacturer's names, numbers, symbols and descriptions are used for reference only. It is not implied that any part listed is the product of these manufacturers.

OIL CAP

EFC-8552



Cummins Engine 2017
Cylinder Block Components - L10 / M11 / ISM Series



Cummins Engine 2017
Oil Caps and Dipstick - Miscellaneous

Cross Reference:

Manufacturer	OEM Number
KENWORTH	05-5843
GMC TRUCK	5117362
CUMMINS	101322
MACK	222GB27
MACK	222GB27A
MACK	222GB27AP2
VOLVO	517934
NAVISTAR	303761R91

Copyright © 2020 PAI Industries, Inc.
All rights reserved. All content is property of PAI Industries, Inc, and may not be reproduced or redistributed in any form.

Any reference to OEM names or OEM product identification numbers/descriptions/model numbers is for identification only and does not indicate that it is an OEM part. PAI is not affiliated with Mack Truck, Inc.®, Volvo®, Fuller®, Cummins®, Eaton®, Rockwell®, Caterpillar®, Freightliner®, Hendrickson®, Kenworth®, Detroit Diesel®, International®, Peterbilt®, or Dana®. All Manufacturer's names, numbers, symbols and descriptions are used for reference only. It is not implied that any part listed is the product of these manufacturers.