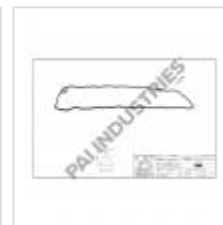


VALVE COVER GASKET

831035



Description: VALVE COVER GASKET
SKU: 831035
OEM: 20538793
Product Group: ENGINE PARTS
Product Class: ENGINE GASKETS, O-RINGS & GASKET SETS
UPC Code: 193807075200
Sell Pack: 1 EA
Weight: 0.73 LBS
Warranty: 2 Years



Details:
 GASKET,Valve Cover(D13)

E-Catalog Pages:

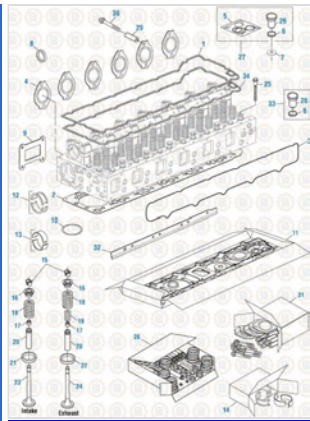
Catalog Page	Description
	<p>PAI Mack & Volvo Applications 2018 Cylinder Head - D11 / D13 Series</p>

Copyright © 2020 PAI Industries, Inc.
 All rights reserved. All content is property of PAI Industries, Inc, and may not be reproduced or redistributed in any form.

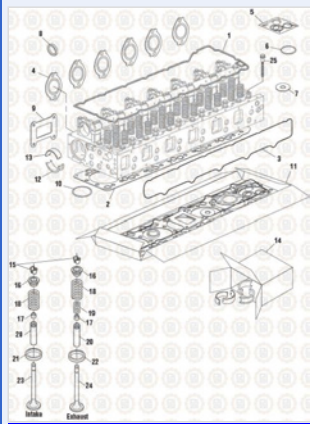
Any reference to OEM names or OEM product identification numbers/descriptions/model numbers is for identification only and does not indicate that it is an OEM part. PAI is not affiliated with Mack Truck, Inc.®, Volvo®, Fuller®, Cummins®, Eaton®, Rockwell®, Caterpillar®, Freightliner®, Hendrickson®, Kenworth®, Detroit Diesel®, International®, Peterbilt®, or Dana®. All Manufacturer's names, numbers, symbols and descriptions are used for reference only. It is not implied that any part listed is the product of these manufacturers.

VALVE COVER GASKET

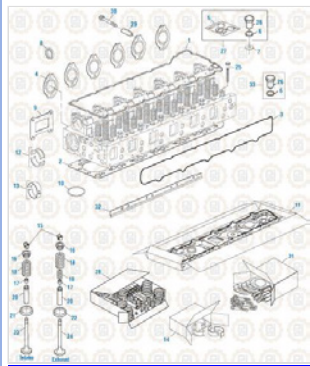
831035



PAI Mack & Volvo Applications 2018
Cylinder Head - MP7 / MP8 Series



Volvo / Renault Engine Components 2015
Cylinder Head - Renault DXi 11 / Renault DXi 13



Volvo / Renault Engine Components 2015
Cylinder Head - Volvo D11 / D13

Component Of:

SKU	Image	Description
831060		HEAD GASKET SET

Cross Reference:

Manufacturer	OEM Number
MACK	20538793

Copyright © 2020 PAI Industries, Inc.
All rights reserved. All content is property of PAI Industries, Inc. and may not be reproduced or redistributed in any form.

Any reference to OEM names or OEM product identification numbers/descriptions/model numbers is for identification only and does not indicate that it is an OEM part. PAI is not affiliated with Mack Truck, Inc.®, Volvo®, Fuller®, Cummins®, Eaton®, Rockwell®, Caterpillar®, Freightliner®, Hendrickson®, Kenworth®, Detroit Diesel®, International®, Peterbilt®, or Dana®. All Manufacturer's names, numbers, symbols and descriptions are used for reference only. It is not implied that any part listed is the product of these manufacturers.

VALVE COVER GASKET

831035

RENAULT	7420538793
VOLVO	20538793

Copyright © 2020 PAI Industries, Inc.

All rights reserved. All content is property of PAI Industries, Inc. and may not be reproduced or redistributed in any form.

Any reference to OEM names or OEM product identification numbers/descriptions/model numbers is for identification only and does not indicate that it is an OEM part. PAI is not affiliated with Mack Truck, Inc.®, Volvo®, Fuller®, Cummins®, Eaton®, Rockwell®, Caterpillar®, Freightliner®, Hendrickson®, Kenworth®, Detroit Diesel®, International®, Peterbilt®, or Dana®. All Manufacturer's names, numbers, symbols and descriptions are used for reference only. It is not implied that any part listed is the product of these manufacturers.