

COMPOUND GEAR

806736



Description:	COMPOUND GEAR
SKU:	806736
OEM:	751KB3495A
Product Group:	TRANSMISSION
Product Class:	GEARS, SHAFTS, CLUTCHES
UPC Code:	193807229962
Sell Pack:	1 EA
Weight:	5.10 LBS
Package Dimensions (LxWxH):	6 x 6 x 4 inches
Warranty:	2 Years



Details:

Compound Gear
Mack T2080B Series application

E-Catalog Pages:

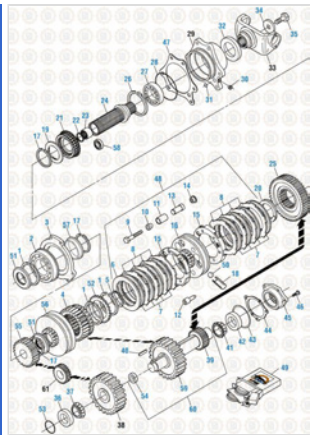
Catalog Page	Description

Copyright © 2020 PAI Industries, Inc.
All rights reserved. All content is property of PAI Industries, Inc, and may not be reproduced or redistributed in any form.

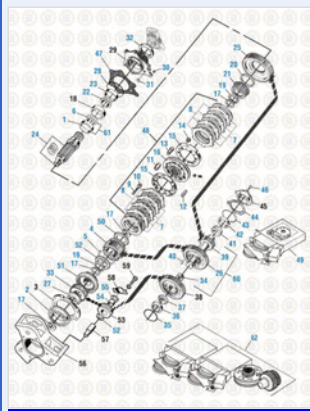
Any reference to OEM names or OEM product identification numbers/descriptions/model numbers is for identification only and does not indicate that it is an OEM part. PAI is not affiliated with Mack Truck, Inc.®, Volvo®, Fuller®, Cummins®, Eaton®, Rockwell®, Caterpillar®, Freightliner®, Hendrickson®, Kenworth®, Detroit Diesel®, International®, Peterbilt®, or Dana®. All Manufacturer's names, numbers, symbols and descriptions are used for reference only. It is not implied that any part listed is the product of these manufacturers.

COMPOUND GEAR

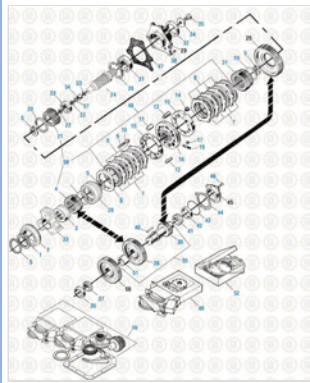
806736



Drive Train 2016
Rear Case Components - T2080B



Drive Train 2016
Rear Case Components - T2110 B and D



Drive Train 2016
Rear Case Components - T310M

Cross Reference:

Manufacturer	OEM Number
MACK	25118458
MACK	751KB3495
MACK	751KB3495A

Copyright © 2020 PAI Industries, Inc.
All rights reserved. All content is property of PAI Industries, Inc. and may not be reproduced or redistributed in any form.

Any reference to OEM names or OEM product identification numbers/descriptions/model numbers is for identification only and does not indicate that it is an OEM part. PAI is not affiliated with Mack Truck, Inc.®, Volvo®, Fuller®, Cummins®, Eaton®, Rockwell®, Caterpillar®, Freightliner®, Hendrickson®, Kenworth®, Detroit Diesel®, International®, Peterbilt®, or Dana®. All Manufacturer's names, numbers, symbols and descriptions are used for reference only. It is not implied that any part listed is the product of these manufacturers.