

INPUT SHAFT

806735



| | |
|------------------------------------|-------------------------|
| Description: | INPUT SHAFT |
| SKU: | 806735 |
| OEM: | 764KB293 |
| Product Group: | TRANSMISSION |
| Product Class: | GEARS, SHAFTS, CLUTCHES |
| UPC Code: | 193807229948 |
| Sell Pack: | 1 EA |
| Weight: | 12.20 LBS |
| Package Dimensions (LxWxH): | 4 x 4 x 16 inches |
| Warranty: | 2 Years |



Details:

Input Shaft
 with Oil Pump
 with Oil Tube GTB-0480
 Mack T310M Series application

E-Catalog Pages:

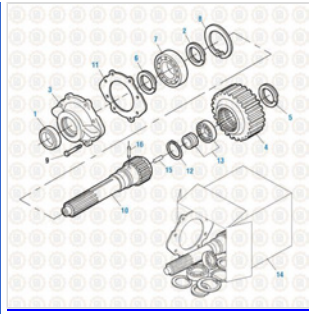
| Catalog Page | Description |
|--------------|-------------|
| | |

Copyright © 2020 PAI Industries, Inc.
 All rights reserved. All content is property of PAI Industries, Inc, and may not be reproduced or redistributed in any form.

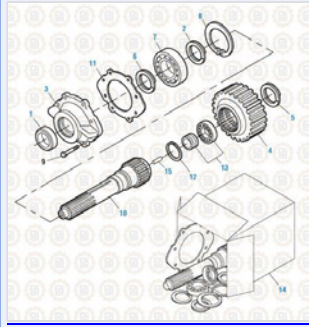
Any reference to OEM names or OEM product identification numbers/descriptions/model numbers is for identification only and does not indicate that it is an OEM part. PAI is not affiliated with Mack Truck, Inc.®, Volvo®, Fuller®, Cummins®, Eaton®, Rockwell®, Caterpillar®, Freightliner®, Hendrickson®, Kenworth®, Detroit Diesel®, International®, Peterbilt®, or Dana®. All Manufacturer's names, numbers, symbols and descriptions are used for reference only. It is not implied that any part listed is the product of these manufacturers.

INPUT SHAFT

806735

**Drive Train 2016**

T309L and T310 - Input Shaft - T309L and T310

**Drive Train 2016**

Input Shaft - T310M

Cross Reference:

| Manufacturer | OEM Number |
|--------------|------------|
| MACK | 25132323 |
| MACK | 25503802 |
| MACK | 764KB293 |
| MACK | 764KB4275 |

Copyright © 2020 PAI Industries, Inc.

All rights reserved. All content is property of PAI Industries, Inc, and may not be reproduced or redistributed in any form.

Any reference to OEM names or OEM product identification numbers/descriptions/model numbers is for identification only and does not indicate that it is an OEM part. PAI is not affiliated with Mack Truck, Inc.®, Volvo®, Fuller®, Cummins®, Eaton®, Rockwell®, Caterpillar®, Freightliner®, Hendrickson®, Kenworth®, Detroit Diesel®, International®, Peterbilt®, or Dana®. All Manufacturer's names, numbers, symbols and descriptions are used for reference only. It is not implied that any part listed is the product of these manufacturers.