

BEARING

GBG-6593



Description: BEARING
SKU: GBG-6593
OEM: 46AX410
Product Group: TRANSMISSION
Product Class: BEARINGS; BEARING, SEAL & GASKET KITS
UPC Code: 193807242336
Sell Pack: 1 EA
Weight: 2.54 LBS
Warranty: 2 Years




© 2018 PAI INDUSTRIES, INC.

Details:
 Bearing

Substitute:

SKU	Sell Pack	Weight	Warranty	Description
EM65930	1	2.45 LBS	1 Year	MAIN DRIVE BEARING

E-Catalog Pages:

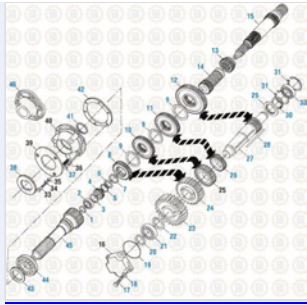
Catalog Page	Description
	Web Electronic Rear Case Components - Mack Transmission

Copyright © 2020 PAI Industries, Inc.
 All rights reserved. All content is property of PAI Industries, Inc, and may not be reproduced or redistributed in any form.

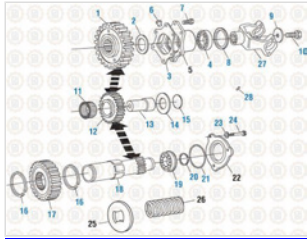
Any reference to OEM names or OEM product identification numbers/descriptions/model numbers is for identification only and does not indicate that it is an OEM part. PAI is not affiliated with Mack Truck, Inc.®, Volvo®, Fuller®, Cummins®, Eaton®, Rockwell®, Caterpillar®, Freightliner®, Hendrickson®, Kenworth®, Detroit Diesel®, International®, Peterbilt®, or Dana®. All Manufacturer's names, numbers, symbols and descriptions are used for reference only. It is not implied that any part listed is the product of these manufacturers.

BEARING

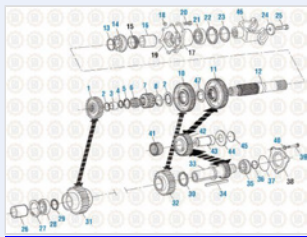
GBG-6593



Web Electronic
Main Case Components - Mack Transmission



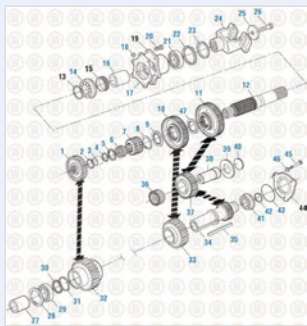
Web Electronic
Rear Case Components - Mack Transmission



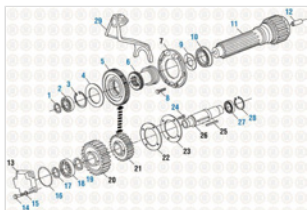
Web Electronic
Rear Components - Mack Transmission



Web Electronic
Rear Case Components - Mack Transmission



Web Electronic
Rear Case Components - Mack Transmission



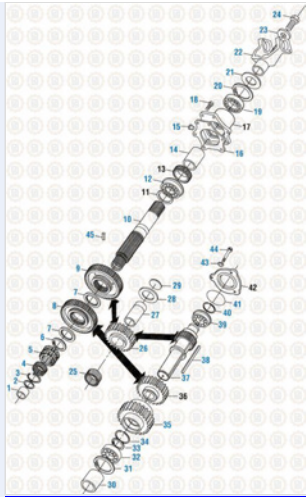
Drive Train 2016
Compound Case Components - TRTXL-107/1070

Copyright © 2020 PAI Industries, Inc.
All rights reserved. All content is property of PAI Industries, Inc, and may not be reproduced or redistributed in any form.

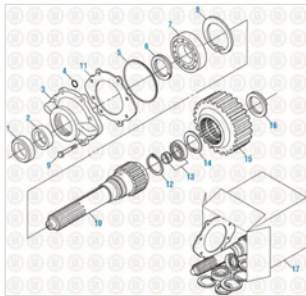
Any reference to OEM names or OEM product identification numbers/descriptions/model numbers is for identification only and does not indicate that it is an OEM part. PAI is not affiliated with Mack Truck, Inc.®, Volvo®, Fuller®, Cummins®, Eaton®, Rockwell®, Caterpillar®, Freightliner®, Hendrickson®, Kenworth®, Detroit Diesel®, International®, Peterbilt®, or Dana®. All Manufacturer's names, numbers, symbols and descriptions are used for reference only. It is not implied that any part listed is the product of these manufacturers.

BEARING

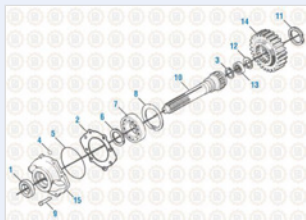
GBG-6593



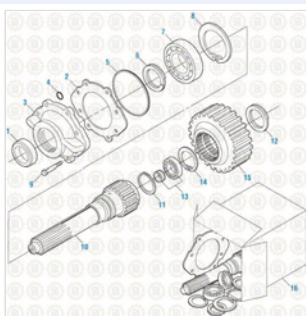
Drive Train 2016
Rear Case Components - TRTXL-107/1070



Drive Train 2016
Input Shaft - T2080, T2090 and T2100



Drive Train 2016
Input Shaft Components - T2060A



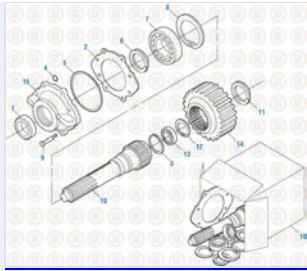
Drive Train 2016
Input Shaft Components - T2110 B and D

Copyright © 2020 PAI Industries, Inc.
All rights reserved. All content is property of PAI Industries, Inc, and may not be reproduced or redistributed in any form.

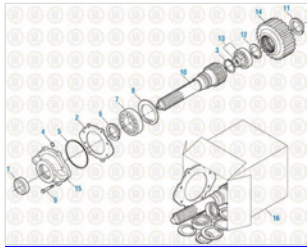
Any reference to OEM names or OEM product identification numbers/descriptions/model numbers is for identification only and does not indicate that it is an OEM part. PAI is not affiliated with Mack Truck, Inc.®, Volvo®, Fuller®, Cummins®, Eaton®, Rockwell®, Caterpillar®, Freightliner®, Hendrickson®, Kenworth®, Detroit Diesel®, International®, Peterbilt®, or Dana®. All Manufacturer's names, numbers, symbols and descriptions are used for reference only. It is not implied that any part listed is the product of these manufacturers.

BEARING

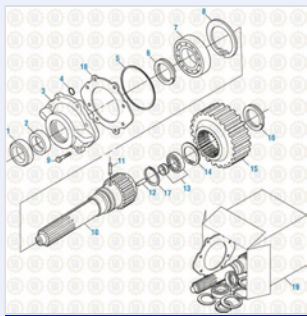
GBG-6593



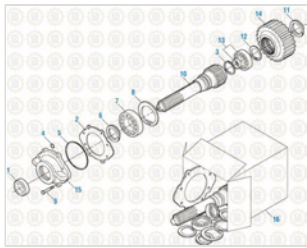
Drive Train 2016
Input Shaft Components - T2050



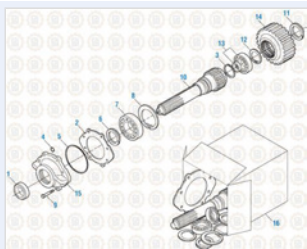
Drive Train 2016
Input Shaft Components - T2060 & T2070



Drive Train 2016
Input Shaft Components - T2130 and T2180



Drive Train 2016
Input Shaft Components - T2070 A & C



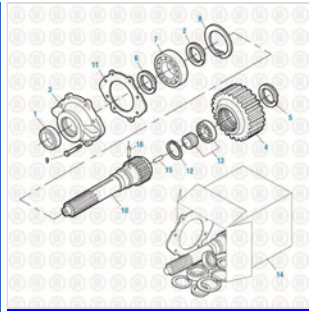
Drive Train 2016
Input Shaft Components - T2070 B & D

Copyright © 2020 PAI Industries, Inc.
All rights reserved. All content is property of PAI Industries, Inc. and may not be reproduced or redistributed in any form.

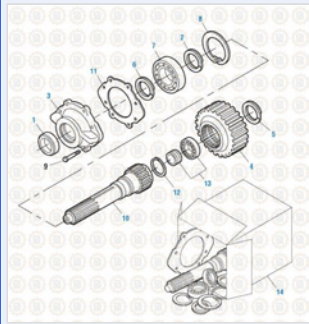
Any reference to OEM names or OEM product identification numbers/descriptions/model numbers is for identification only and does not indicate that it is an OEM part. PAI is not affiliated with Mack Truck, Inc.®, Volvo®, Fuller®, Cummins®, Eaton®, Rockwell®, Caterpillar®, Freightliner®, Hendrickson®, Kenworth®, Detroit Diesel®, International®, Peterbilt®, or Dana®. All Manufacturer's names, numbers, symbols and descriptions are used for reference only. It is not implied that any part listed is the product of these manufacturers.

BEARING

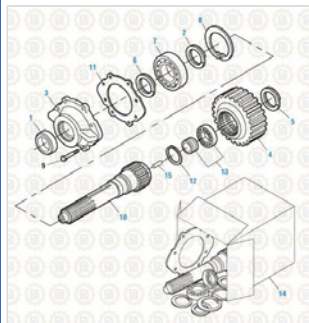
GBG-6593



Drive Train 2016
T309L and T310 - Input Shaft - T309L and T310



Drive Train 2016
Input Shaft - T313L and T318L



Drive Train 2016
Input Shaft - T310M

Drive Train 2016
Fuller Miscellaneous Bearings

Component Of:




SKU	Image	Description
GBK-5942		BEARING AND SEAL KIT
GBK-6153	.	BEARING AND SEAL KIT
GBK-6560	.	BEARING AND SEAL KIT
GBK-6561	.	BEARING AND SEAL KIT
GBK-6562	.	BEARING AND SEAL KIT

Copyright © 2020 PAI Industries, Inc.
All rights reserved. All content is property of PAI Industries, Inc. and may not be reproduced or redistributed in any form.

Any reference to OEM names or OEM product identification numbers/descriptions/model numbers is for identification only and does not indicate that it is an OEM part. PAI is not affiliated with Mack Truck, Inc.®, Volvo®, Fuller®, Cummins®, Eaton®, Rockwell®, Caterpillar®, Freightliner®, Hendrickson®, Kenworth®, Detroit Diesel®, International®, Peterbilt®, or Dana®. All Manufacturer's names, numbers, symbols and descriptions are used for reference only. It is not implied that any part listed is the product of these manufacturers.

BEARING

GBG-6593

GBK-6563		BEARING AND SEAL KIT
GBK-6573		BEARING AND SEAL KIT
GBK-6574		BEARING AND SEAL KIT
GBK-8955		BEARING AND SEAL KIT
GBK-8956		BEARING AND SEAL KIT
GBK-8957		BEARING AND SEAL KIT
GBK-8958		BEARING AND SEAL KIT
GBK-8963		BEARING AND SEAL KIT
806870		BEARING AND SEAL KIT
806871		BEARING KIT
806872		BEARING AND SEAL KIT

Cross Reference:	
Manufacturer	OEM Number
MACK	46AX410
MACK	46AX91
CATERPILLAR	7F4031
FULLER	81042
NAVISTAR	272575R91
NAVISTAR	304657C91
NAVISTAR	306858C91
NAVISTAR	372185R91
NAVISTAR	372186R91
NAVISTAR	842951R91
KENWORTH	K1706
KENWORTH	K9211

Copyright © 2020 PAI Industries, Inc.
 All rights reserved. All content is property of PAI Industries, Inc. and may not be reproduced or redistributed in any form.

Any reference to OEM names or OEM product identification numbers/descriptions/model numbers is for identification only and does not indicate that it is an OEM part. PAI is not affiliated with Mack Truck, Inc.®, Volvo®, Fuller®, Cummins®, Eaton®, Rockwell®, Caterpillar®, Freightliner®, Hendrickson®, Kenworth®, Detroit Diesel®, International®, Peterbilt®, or Dana®. All Manufacturer's names, numbers, symbols and descriptions are used for reference only. It is not implied that any part listed is the product of these manufacturers.

BEARING

GBG-6593

ROCKWELL (EXCEL PRODUCTS)	1828-E-5
MACK	8235-1828E5
MACK	3088-81042
DANA CORPORATION/PRIVATE BRAND SALE	550706
DANA CORPORATION/PRIVATE BRAND SALE	550898
GMC TRUCK	147779
GMC TRUCK	901214
GMC TRUCK	954456
GMC TRUCK	954457
MACK	25107426
CATERPILLAR	6V0924
CATERPILLAR	2U5271
CATERPILLAR	2U0767
CATERPILLAR	7R0892
CATERPILLAR	7B7515

Copyright © 2020 PAI Industries, Inc.

All rights reserved. All content is property of PAI Industries, Inc. and may not be reproduced or redistributed in any form.

Any reference to OEM names or OEM product identification numbers/descriptions/model numbers is for identification only and does not indicate that it is an OEM part. PAI is not affiliated with Mack Truck, Inc.®, Volvo®, Fuller®, Cummins®, Eaton®, Rockwell®, Caterpillar®, Freightliner®, Hendrickson®, Kenworth®, Detroit Diesel®, International®, Peterbilt®, or Dana®. All Manufacturer's names, numbers, symbols and descriptions are used for reference only. It is not implied that any part listed is the product of these manufacturers.