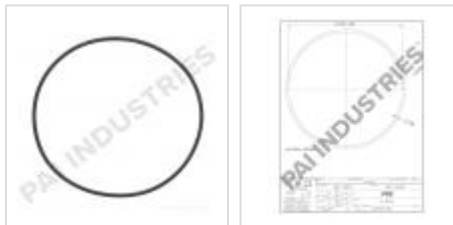


O-RING

621252




Description: O-RING
SKU: 621252
OEM: 23527273
Product Group: AIR BRAKE PARTS
Product Class: AIR COMPRESSORS & PARTS
UPC Code: 193807007454
Sell Pack: 10 EA
 (Available to buy in increments of 10)
Weight: 0.23 LBS
Warranty: 2 Years



Details:

O-Ring, 0.139 in C/S x 6.234 in ID
 3.53 mm C/S x 158.34 mm ID, Viton 75, Teflon Green Coat Series # -259

E-Catalog Pages:

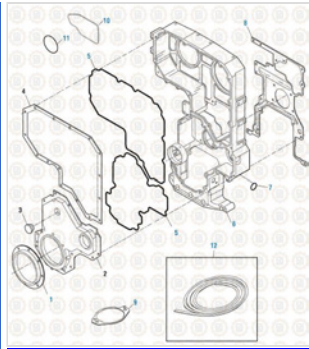
Catalog Page	Description
	O-Rings AS568A
	Detroit Diesel Engine 2019 Miscellaneous Components - Series 60

Copyright © 2020 PAI Industries, Inc.
 All rights reserved. All content is property of PAI Industries, Inc, and may not be reproduced or redistributed in any form.

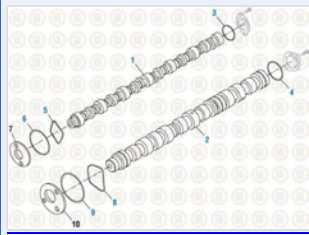
Any reference to OEM names or OEM product identification numbers/descriptions/model numbers is for identification only and does not indicate that it is an OEM part. PAI is not affiliated with Mack Truck, Inc.®, Volvo®, Fuller®, Cummins®, Eaton®, Rockwell®, Caterpillar®, Freightliner®, Hendrickson®, Kenworth®, Detroit Diesel®, International®, Peterbilt®, or Dana®. All Manufacturer's names, numbers, symbols and descriptions are used for reference only. It is not implied that any part listed is the product of these manufacturers.

O-RING

621252



Cummins Engine 2017
Front Cover Components - ISX Series



Cummins Engine 2017
Camshaft - ISX Series

Component Of:

SKU	Image	Description
331409		FRONT GASKET KIT
131638-158		FRONT STRUCTURE GASKET KIT
131851		LOWER GASKET KIT

Copyright © 2020 PAI Industries, Inc.
All rights reserved. All content is property of PAI Industries, Inc. and may not be reproduced or redistributed in any form.

Any reference to OEM names or OEM product identification numbers/descriptions/model numbers is for identification only and does not indicate that it is an OEM part. PAI is not affiliated with Mack Truck, Inc.®, Volvo®, Fuller®, Cummins®, Eaton®, Rockwell®, Caterpillar®, Freightliner®, Hendrickson®, Kenworth®, Detroit Diesel®, International®, Peterbilt®, or Dana®. All Manufacturer's names, numbers, symbols and descriptions are used for reference only. It is not implied that any part listed is the product of these manufacturers.

O-RING

621252

<p>131906</p>		<p>UPPER GASKET KIT</p>
<p>631316-150</p>		<p>FRONT GASKET KIT</p>

Cross Reference:	
Manufacturer	OEM Number
CATERPILLAR	502-4034
CATERPILLAR	5024034
CATERPILLAR	6V3319
CUMMINS	3679933
DETROIT DIESEL	23527273
CUMMINS	4299124

Copyright © 2020 PAI Industries, Inc.
 All rights reserved. All content is property of PAI Industries, Inc. and may not be reproduced or redistributed in any form.

Any reference to OEM names or OEM product identification numbers/descriptions/model numbers is for identification only and does not indicate that it is an OEM part. PAI is not affiliated with Mack Truck, Inc.®, Volvo®, Fuller®, Cummins®, Eaton®, Rockwell®, Caterpillar®, Freightliner®, Hendrickson®, Kenworth®, Detroit Diesel®, International®, Peterbilt®, or Dana®. All Manufacturer's names, numbers, symbols and descriptions are used for reference only. It is not implied that any part listed is the product of these manufacturers.