

CLUTCH RELEASE SHAFT

GSH-6136



Description:	CLUTCH RELEASE SHAFT
SKU:	GSH-6136
OEM:	604KC277A
Product Group:	CLUTCH & CLUTCH RELEASE PARTS
Product Class:	CLUTCH RELEASE PARTS (BELL HOUSING RELATED)
UPC Code:	193807238155
Sell Pack:	1 EA
Weight:	0.91 LBS
Package Dimensions (LxWxH):	2 x 2 x 6 inches
Warranty:	2 Years



Details:

Clutch Release Shaft

E-Catalog Pages:

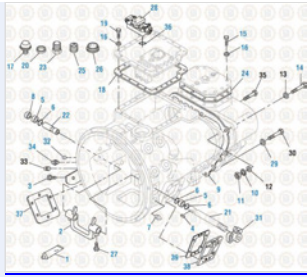
Catalog Page	Description
	<p>Drive Train 2016 Compound and Main Case Assembly - T2080B</p>

Copyright © 2020 PAI Industries, Inc.
All rights reserved. All content is property of PAI Industries, Inc, and may not be reproduced or redistributed in any form.

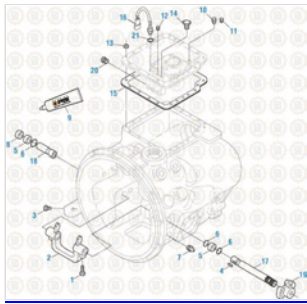
Any reference to OEM names or OEM product identification numbers/descriptions/model numbers is for identification only and does not indicate that it is an OEM part. PAI is not affiliated with Mack Truck, Inc.®, Volvo®, Fuller®, Cummins®, Eaton®, Rockwell®, Caterpillar®, Freightliner®, Hendrickson®, Kenworth®, Detroit Diesel®, International®, Peterbilt®, or Dana®. All Manufacturer's names, numbers, symbols and descriptions are used for reference only. It is not implied that any part listed is the product of these manufacturers.

CLUTCH RELEASE SHAFT

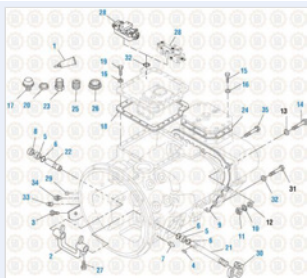
GSH-6136

**Drive Train 2016**

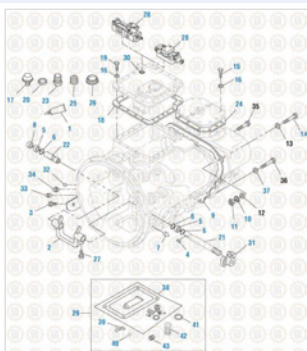
Compound and Main Case Assembly - T2080, T2090 and T2100

**Drive Train 2016**

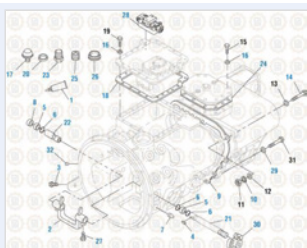
Case and Cover Assemblies - T2050

**Drive Train 2016**

Compound and Main Case Assembly - T2060 & T2070

**Drive Train 2016**

Compound and Main Case Assembly - T2130 and T2180

**Drive Train 2016**

Compound and Main Case Assembly - T2110 B and D

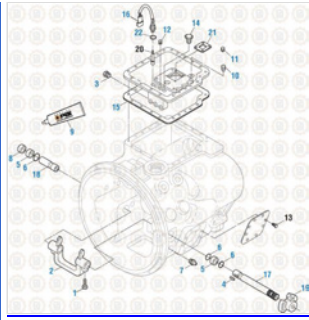
Copyright © 2020 PAI Industries, Inc.

All rights reserved. All content is property of PAI Industries, Inc. and may not be reproduced or redistributed in any form.

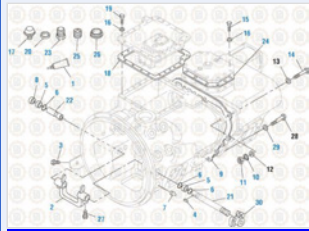
Any reference to OEM names or OEM product identification numbers/descriptions/model numbers is for identification only and does not indicate that it is an OEM part. PAI is not affiliated with Mack Truck, Inc.®, Volvo®, Fuller®, Cummins®, Eaton®, Rockwell®, Caterpillar®, Freightliner®, Hendrickson®, Kenworth®, Detroit Diesel®, International®, Peterbilt®, or Dana®. All Manufacturer's names, numbers, symbols and descriptions are used for reference only. It is not implied that any part listed is the product of these manufacturers.

CLUTCH RELEASE SHAFT

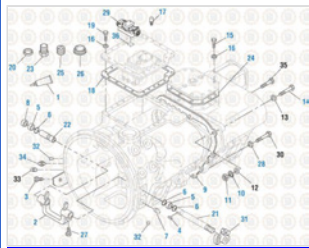
GSH-6136



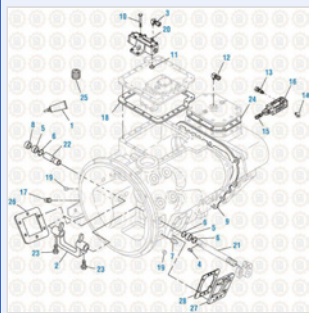
Drive Train 2016
Case and Cover Assembly - T2060A



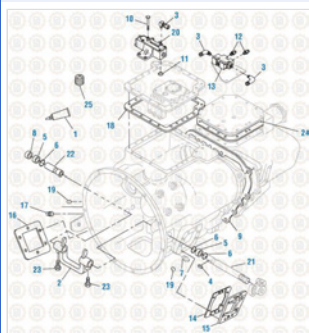
Drive Train 2016
Compound & Main Case Assembly - T2070 A & C



Drive Train 2016
Compound & Main Case Assembly - T2070 B & D



Drive Train 2016
T309L and T310 - Compound and Main Case Assembly - T309L and T310



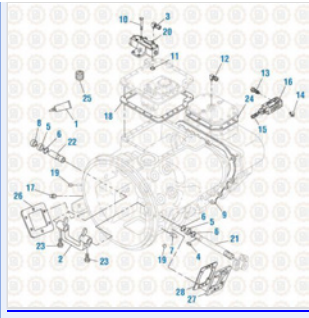
Drive Train 2016
Compound and Main Case Assembly - T313L and T318L

Copyright © 2020 PAI Industries, Inc.
All rights reserved. All content is property of PAI Industries, Inc. and may not be reproduced or redistributed in any form.

Any reference to OEM names or OEM product identification numbers/descriptions/model numbers is for identification only and does not indicate that it is an OEM part. PAI is not affiliated with Mack Truck, Inc.®, Volvo®, Fuller®, Cummins®, Eaton®, Rockwell®, Caterpillar®, Freightliner®, Hendrickson®, Kenworth®, Detroit Diesel®, International®, Peterbilt®, or Dana®. All Manufacturer's names, numbers, symbols and descriptions are used for reference only. It is not implied that any part listed is the product of these manufacturers.

CLUTCH RELEASE SHAFT

GSH-6136



Drive Train 2016
Compound and Main Case Assembly - T310M

Cross Reference:

Manufacturer	OEM Number
MACK	604KC277A
MACK	25085391

Copyright © 2020 PAI Industries, Inc.

All rights reserved. All content is property of PAI Industries, Inc, and may not be reproduced or redistributed in any form.

Any reference to OEM names or OEM product identification numbers/descriptions/model numbers is for identification only and does not indicate that it is an OEM part. PAI is not affiliated with Mack Truck, Inc.®, Volvo®, Fuller®, Cummins®, Eaton®, Rockwell®, Caterpillar®, Freightliner®, Hendrickson®, Kenworth®, Detroit Diesel®, International®, Peterbilt®, or Dana®. All Manufacturer's names, numbers, symbols and descriptions are used for reference only. It is not implied that any part listed is the product of these manufacturers.