

# BEARING

# GBG-6071



**Description:** BEARING  
**SKU:** GBG-6071  
**OEM:** 67AX334  
**Product Group:** TRANSMISSION  
**Product Class:** BEARINGS; BEARING, SEAL & GASKET KITS  
**UPC Code:** 193807237394  
**Sell Pack:** 1 EA  
**Weight:** 0.18 LBS  
**Warranty:** 2 Years



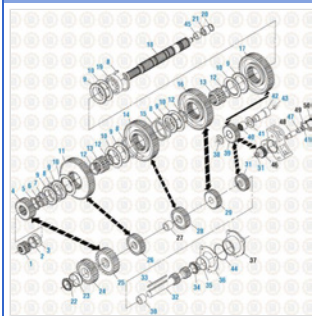
© 2018 PAI INDUSTRIES, INC.

**Details:**

Bearing  
 19 Rollers  
 1.500in O.D. x 1.12in I.D. x 1.125in Height

**E-Catalog Pages:**

Catalog Page	Description
--------------	-------------



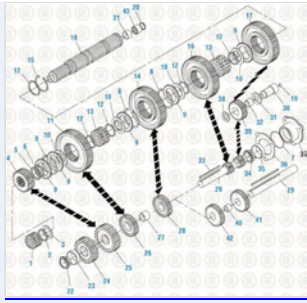
**Drive Train 2016**  
 Main Case Components - T2080B

Copyright © 2020 PAI Industries, Inc.  
 All rights reserved. All content is property of PAI Industries, Inc. and may not be reproduced or redistributed in any form.

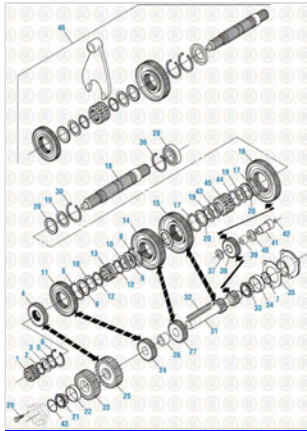
Any reference to OEM names or OEM product identification numbers/descriptions/model numbers is for identification only and does not indicate that it is an OEM part. PAI is not affiliated with Mack Truck, Inc.®, Volvo®, Fuller®, Cummins®, Eaton®, Rockwell®, Caterpillar®, Freightliner®, Hendrickson®, Kenworth®, Detroit Diesel®, International®, Peterbilt®, or Dana®. All Manufacturer's names, numbers, symbols and descriptions are used for reference only. It is not implied that any part listed is the product of these manufacturers.

## BEARING

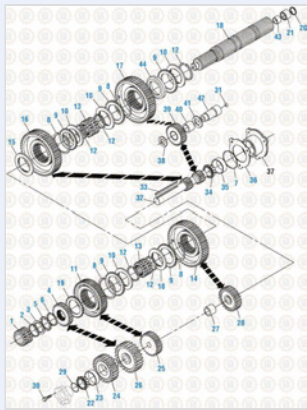
## GBG-6071

**Drive Train 2016**

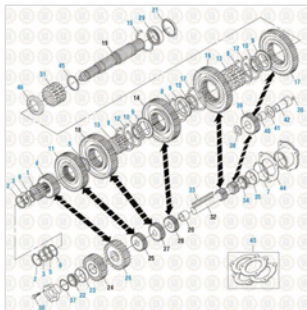
Main Case Components - T2080, T2090 and T2100

**Drive Train 2016**

Main Case Components - Original Mainshaft Design - T2050

**Drive Train 2016**

Main Case Components - T2060 &amp; T2070

**Drive Train 2016**

Main Case Components - T2060A

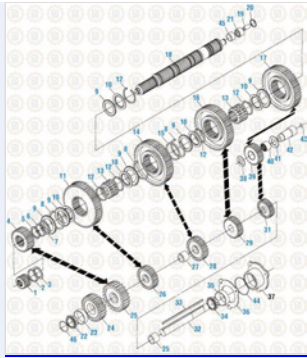
Copyright © 2020 PAI Industries, Inc.

All rights reserved. All content is property of PAI Industries, Inc. and may not be reproduced or redistributed in any form.

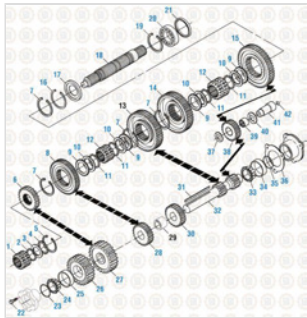
Any reference to OEM names or OEM product identification numbers/descriptions/model numbers is for identification only and does not indicate that it is an OEM part. PAI is not affiliated with Mack Truck, Inc.®, Volvo®, Fuller®, Cummins®, Eaton®, Rockwell®, Caterpillar®, Freightliner®, Hendrickson®, Kenworth®, Detroit Diesel®, International®, Peterbilt®, or Dana®. All Manufacturer's names, numbers, symbols and descriptions are used for reference only. It is not implied that any part listed is the product of these manufacturers.

## BEARING

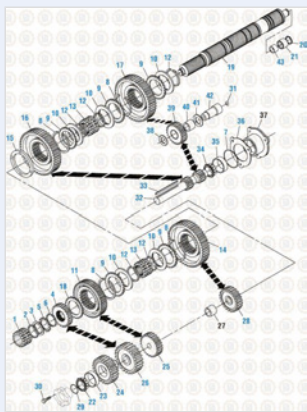
## GBG-6071

**Drive Train 2016**

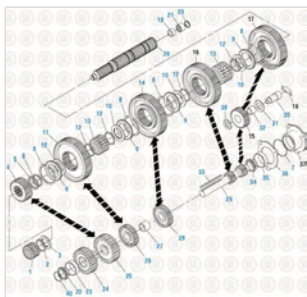
Main Case Components - T2130 and T2180

**Drive Train 2016**

Main Case Components - Current Mainshaft Design - T2050

**Drive Train 2016**

Main Case Components - T2070 A &amp; C

**Drive Train 2016**

Main Case Components - T309L and T310

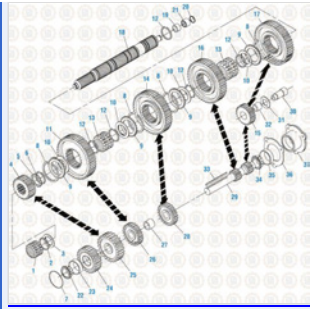
Copyright © 2020 PAI Industries, Inc.

All rights reserved. All content is property of PAI Industries, Inc. and may not be reproduced or redistributed in any form.

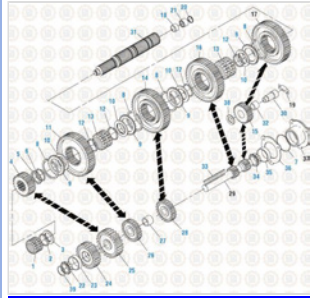
Any reference to OEM names or OEM product identification numbers/descriptions/model numbers is for identification only and does not indicate that it is an OEM part. PAI is not affiliated with Mack Truck, Inc.®, Volvo®, Fuller®, Cummins®, Eaton®, Rockwell®, Caterpillar®, Freightliner®, Hendrickson®, Kenworth®, Detroit Diesel®, International®, Peterbilt®, or Dana®. All Manufacturer's names, numbers, symbols and descriptions are used for reference only. It is not implied that any part listed is the product of these manufacturers.

# BEARING

# GBG-6071



**Drive Train 2016**  
Main Case Components - T313L and T318L



**Drive Train 2016**  
Main Case Components - T310M

**Component Of:**

SKU	Image	Description
<a href="#">GBK-6153</a>	.	BEARING AND SEAL KIT
<a href="#">GBK-6565</a>		BEARING AND SEAL KIT
<a href="#">GBK-6573</a>	.	BEARING AND SEAL KIT
<a href="#">GBK-6637</a>		BEARING AND SEAL KIT
<a href="#">GBK-6685</a>	.	BEARING AND SEAL KIT
<a href="#">GBK-8956</a>	.	BEARING AND SEAL KIT
<a href="#">GBK-8957</a>	.	BEARING AND SEAL KIT
<a href="#">GBK-8958</a>	.	BEARING AND SEAL KIT
<a href="#">GBK-8963</a>	.	BEARING AND SEAL KIT
<a href="#">806869</a>	.	BEARING AND SEAL KIT

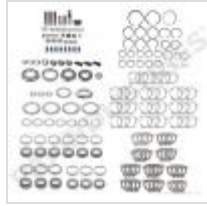
Copyright © 2020 PAI Industries, Inc.  
All rights reserved. All content is property of PAI Industries, Inc. and may not be reproduced or redistributed in any form.

Any reference to OEM names or OEM product identification numbers/descriptions/model numbers is for identification only and does not indicate that it is an OEM part. PAI is not affiliated with Mack Truck, Inc.®, Volvo®, Fuller®, Cummins®, Eaton®, Rockwell®, Caterpillar®, Freightliner®, Hendrickson®, Kenworth®, Detroit Diesel®, International®, Peterbilt®, or Dana®. All Manufacturer's names, numbers, symbols and descriptions are used for reference only. It is not implied that any part listed is the product of these manufacturers.

# BEARING

# GBG-6071

[806871](#)



BEARING KIT

**Cross Reference:**

Manufacturer	OEM Number
MACK	67AX334
MACK	25106412

Copyright © 2020 PAI Industries, Inc.  
 All rights reserved. All content is property of PAI Industries, Inc. and may not be reproduced or redistributed in any form.

Any reference to OEM names or OEM product identification numbers/descriptions/model numbers is for identification only and does not indicate that it is an OEM part. PAI is not affiliated with Mack Truck, Inc.®, Volvo®, Fuller®, Cummins®, Eaton®, Rockwell®, Caterpillar®, Freightliner®, Hendrickson®, Kenworth®, Detroit Diesel®, International®, Peterbilt®, or Dana®. All Manufacturer's names, numbers, symbols and descriptions are used for reference only. It is not implied that any part listed is the product of these manufacturers.