

REVERSE SWITCH

MSW-5396



Description: REVERSE SWITCH
SKU: MSW-5396
OEM: 1MR3481M
Product Group: TRANSMISSION
Product Class: TRANSMISSION SENSORS & SWITCHES
UPC Code: 193807231101
Sell Pack: 1 EA
Weight: 0.16 LBS
Warranty: 2 Years



Details:

Reverse Switch
 with Plug
 Normally Opened
 with .31in Thread Length

E-Catalog Pages:

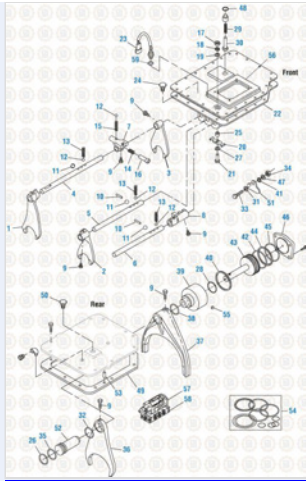
Catalog Page	Description
	<p>Drive Train 2016 Case and Cover Assemblies - T2050</p>

Copyright © 2020 PAI Industries, Inc.
 All rights reserved. All content is property of PAI Industries, Inc, and may not be reproduced or redistributed in any form.

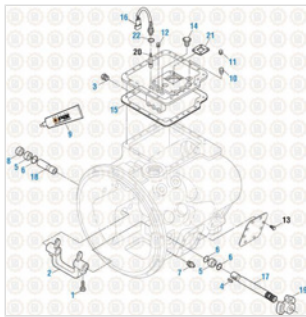
Any reference to OEM names or OEM product identification numbers/descriptions/model numbers is for identification only and does not indicate that it is an OEM part. PAI is not affiliated with Mack Truck, Inc.®, Volvo®, Fuller®, Cummins®, Eaton®, Rockwell®, Caterpillar®, Freightliner®, Hendrickson®, Kenworth®, Detroit Diesel®, International®, Peterbilt®, or Dana®. All Manufacturer's names, numbers, symbols and descriptions are used for reference only. It is not implied that any part listed is the product of these manufacturers.

REVERSE SWITCH

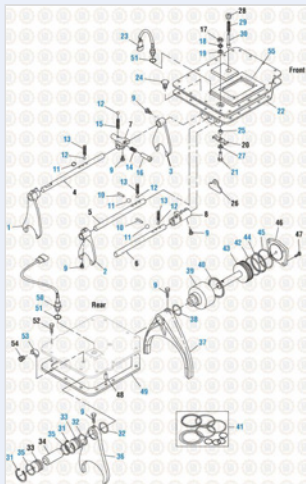
MSW-5396



Drive Train 2016
Shifter Components - T2130 and T2180



Drive Train 2016
Case and Cover Assembly - T2060A



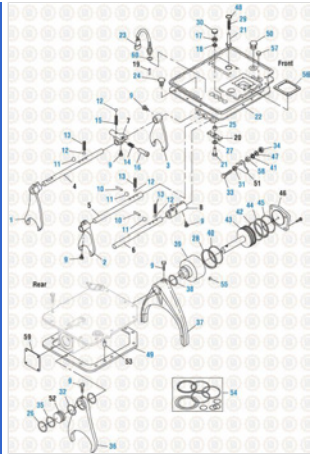
Drive Train 2016
Shifter Components - T309L and T310

Copyright © 2020 PAI Industries, Inc.
All rights reserved. All content is property of PAI Industries, Inc. and may not be reproduced or redistributed in any form.

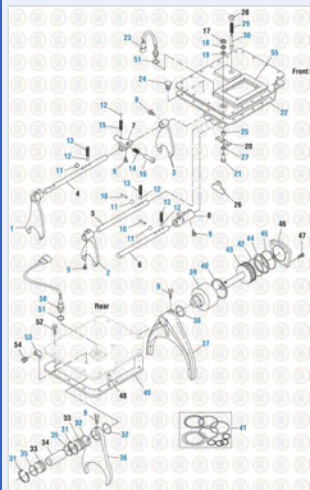
Any reference to OEM names or OEM product identification numbers/descriptions/model numbers is for identification only and does not indicate that it is an OEM part. PAI is not affiliated with Mack Truck, Inc.®, Volvo®, Fuller®, Cummins®, Eaton®, Rockwell®, Caterpillar®, Freightliner®, Hendrickson®, Kenworth®, Detroit Diesel®, International®, Peterbilt®, or Dana®. All Manufacturer's names, numbers, symbols and descriptions are used for reference only. It is not implied that any part listed is the product of these manufacturers.

REVERSE SWITCH

MSW-5396



Drive Train 2016
Shifter Components - T313L and T318L



Drive Train 2016
Shifter Components - T310M



Air & Electrical 2019
Reverse / Neutral Switches - Electrical Components

Cross Reference:

Manufacturer	OEM Number
MACK	25157099
MACK	1MR3481M

Copyright © 2020 PAI Industries, Inc.
All rights reserved. All content is property of PAI Industries, Inc. and may not be reproduced or redistributed in any form.

Any reference to OEM names or OEM product identification numbers/descriptions/model numbers is for identification only and does not indicate that it is an OEM part. PAI is not affiliated with Mack Truck, Inc.®, Volvo®, Fuller®, Cummins®, Eaton®, Rockwell®, Caterpillar®, Freightliner®, Hendrickson®, Kenworth®, Detroit Diesel®, International®, Peterbilt®, or Dana®. All Manufacturer's names, numbers, symbols and descriptions are used for reference only. It is not implied that any part listed is the product of these manufacturers.