

REAR ENGINE MOUNT KIT

FKT-5069

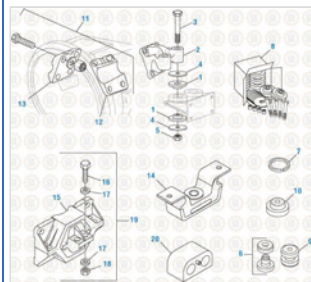


Description:	REAR ENGINE MOUNT KIT
SKU:	FKT-5069
OEM:	204SX389
Product Group:	CAB
Product Class:	ENGINE & TRANSMISSION MOUNTS
UPC Code:	193807227753
Sell Pack:	1 EA
Weight:	12.00 LBS
Package Dimensions (LxWxH):	14 x 5 x 3 inches
Warranty:	2 Years

Details:
Rear Engine MountIncludes Washers Kit

E-Catalog Pages:

Catalog Page	Description
--------------	-------------



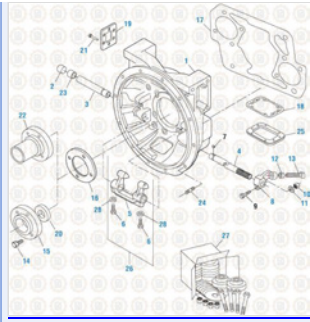
Drive Train 2016
Bell Housing Components

Copyright © 2020 PAI Industries, Inc.
All rights reserved. All content is property of PAI Industries, Inc, and may not be reproduced or redistributed in any form.

Any reference to OEM names or OEM product identification numbers/descriptions/model numbers is for identification only and does not indicate that it is an OEM part. PAI is not affiliated with Mack Truck, Inc.®, Volvo®, Fuller®, Cummins®, Eaton®, Rockwell®, Caterpillar®, Freightliner®, Hendrickson®, Kenworth®, Detroit Diesel®, International®, Peterbilt®, or Dana®. All Manufacturer's names, numbers, symbols and descriptions are used for reference only. It is not implied that any part listed is the product of these manufacturers.

REAR ENGINE MOUNT KIT

FKT-5069



Drive Train 2016
Fuller Bell Housing Components - Fuller Transmission

Consists Of:

SKU	OEM	Image	Description	Quantity
QWA-4595	15QD1132		WASHER	8
QSC-4597	1AX127		SCREW	4
QNT-4605	21AX440		LOCKING NUT	4
FMM-4670	20QL1118A		INSULATOR	8

Cross Reference:

Manufacturer	OEM Number
MACK	204SX389

Copyright © 2020 PAI Industries, Inc.
All rights reserved. All content is property of PAI Industries, Inc, and may not be reproduced or redistributed in any form.

Any reference to OEM names or OEM product identification numbers/descriptions/model numbers is for identification only and does not indicate that it is an OEM part. PAI is not affiliated with Mack Truck, Inc.®, Volvo®, Fuller®, Cummins®, Eaton®, Rockwell®, Caterpillar®, Freightliner®, Hendrickson®, Kenworth®, Detroit Diesel®, International®, Peterbilt®, or Dana®. All Manufacturer's names, numbers, symbols and descriptions are used for reference only. It is not implied that any part listed is the product of these manufacturers.