

# O-RING

# 421230



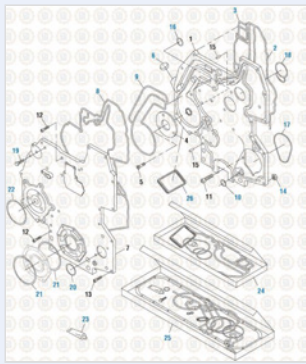
**Description:** O-RING  
**SKU:** 421230  
**OEM:** 1844447C1  
**Product Group:** ENGINE PARTS  
**Product Class:** OIL COOLERS & RELATED  
**UPC Code:** 193807009595  
**Sell Pack:** 6 EA  
 (Available to buy in increments of 6)  
**Weight:** 0.02 LBS  
**Warranty:** 2 Years



**Details:**

O-Ring, 0.139 in C/S x 0.984 in ID  
 3.53 mm C/S x 24.99 mm ID, EPDM PX 75, Pink Teflon Coat Series # -214

**E-Catalog Pages:**

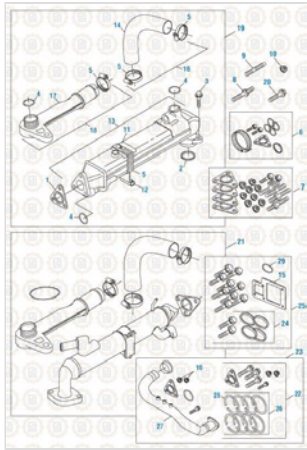
Catalog Page	Description
	<b>O-Rings</b> AS568A
	<b>International Engine 2019</b> Gear Cover and Components - DT-466E / DT-570 (2004 & Up)

Copyright © 2020 PAI Industries, Inc.  
 All rights reserved. All content is property of PAI Industries, Inc, and may not be reproduced or redistributed in any form.

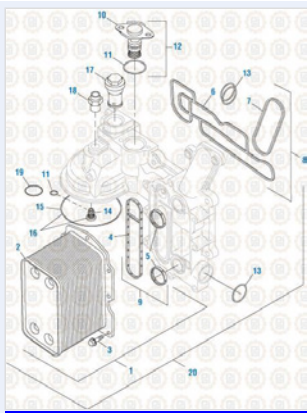
Any reference to OEM names or OEM product identification numbers/descriptions/model numbers is for identification only and does not indicate that it is an OEM part. PAI is not affiliated with Mack Truck, Inc.®, Volvo®, Fuller®, Cummins®, Eaton®, Rockwell®, Caterpillar®, Freightliner®, Hendrickson®, Kenworth®, Detroit Diesel®, International®, Peterbilt®, or Dana®. All Manufacturer's names, numbers, symbols and descriptions are used for reference only. It is not implied that any part listed is the product of these manufacturers.

# O-RING

421230



**International Engine 2019**  
EGR Cooler Valve - DT-466E / DT-570 (2004 & Up)



**International Engine 2019**  
Oil Cooler - DT-466E / DT-570 (2004 & Up)

**Component Of:**






SKU	Image	Description
<a href="#">431287</a>		EGR COOLER GASKET KIT
<a href="#">431297</a>		TURBOCHARGER MOUNTING KIT

Copyright © 2020 PAI Industries, Inc.  
All rights reserved. All content is property of PAI Industries, Inc. and may not be reproduced or redistributed in any form.

Any reference to OEM names or OEM product identification numbers/descriptions/model numbers is for identification only and does not indicate that it is an OEM part. PAI is not affiliated with Mack Truck, Inc.®, Volvo®, Fuller®, Cummins®, Eaton®, Rockwell®, Caterpillar®, Freightliner®, Hendrickson®, Kenworth®, Detroit Diesel®, International®, Peterbilt®, or Dana®. All Manufacturer's names, numbers, symbols and descriptions are used for reference only. It is not implied that any part listed is the product of these manufacturers.

# O-RING

421230

<a href="#">431310</a>		OIL COOLER HOUSING GASKET KIT
<a href="#">431316</a>		REAR FRONT COVER GASKET KIT
<a href="#">431332</a>		GASKET KIT
<a href="#">431337</a>		GASKET/SEAL KIT
<a href="#">431375</a>		GASKET KIT (SPECIAL)

Cross Reference:	
Manufacturer	OEM Number
MACK	4333-1844447C1
NAVISTAR	1844447
NAVISTAR	1844447C
NAVISTAR	1844447C1

Copyright © 2020 PAI Industries, Inc.  
 All rights reserved. All content is property of PAI Industries, Inc, and may not be reproduced or redistributed in any form.

Any reference to OEM names or OEM product identification numbers/descriptions/model numbers is for identification only and does not indicate that it is an OEM part. PAI is not affiliated with Mack Truck, Inc.®, Volvo®, Fuller®, Cummins®, Eaton®, Rockwell®, Caterpillar®, Freightliner®, Hendrickson®, Kenworth®, Detroit Diesel®, International®, Peterbilt®, or Dana®. All Manufacturer's names, numbers, symbols and descriptions are used for reference only. It is not implied that any part listed is the product of these manufacturers.