

REAR SHIFT COVER GASKET

GGK-3839



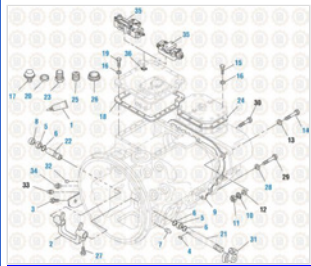
Description:	REAR SHIFT COVER GASKET
SKU:	GGK-3839
OEM:	629KB335A
Product Group:	TRANSMISSION
Product Class:	BEARINGS; BEARING, SEAL & GASKET KITS
UPC Code:	193807209261
Sell Pack:	5 EA (Available to buy in increments of 5)
Weight:	0.25 LBS
Package Dimensions (LxWxH):	20 x 10 x 1 inches
Warranty:	2 Years



Details:

Rear Shifter Cover Gasket
 0.016in Thickness
 Mack T2070A/B/C/D / T2080B / T2110B/D / T2130 / T2180 / T309L / T310/M / T313L / T318L

E-Catalog Pages:

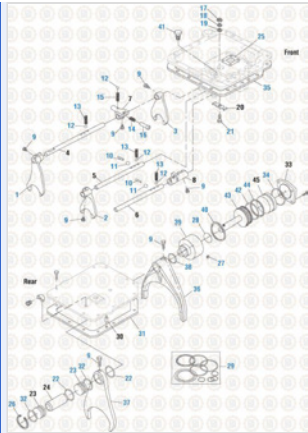
Catalog Page	Description
	<p>Drive Train 2016 Compound and Main Case Assembly - T2080B</p>

Copyright © 2020 PAI Industries, Inc.
 All rights reserved. All content is property of PAI Industries, Inc, and may not be reproduced or redistributed in any form.

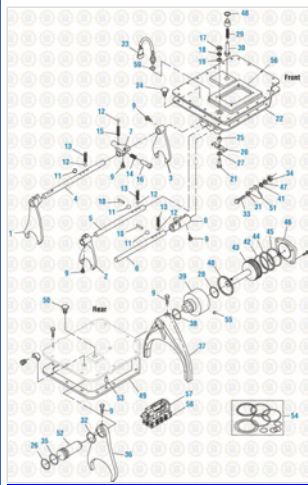
Any reference to OEM names or OEM product identification numbers/descriptions/model numbers is for identification only and does not indicate that it is an OEM part. PAI is not affiliated with Mack Truck, Inc.®, Volvo®, Fuller®, Cummins®, Eaton®, Rockwell®, Caterpillar®, Freightliner®, Hendrickson®, Kenworth®, Detroit Diesel®, International®, Peterbilt®, or Dana®. All Manufacturer's names, numbers, symbols and descriptions are used for reference only. It is not implied that any part listed is the product of these manufacturers.

REAR SHIFT COVER GASKET

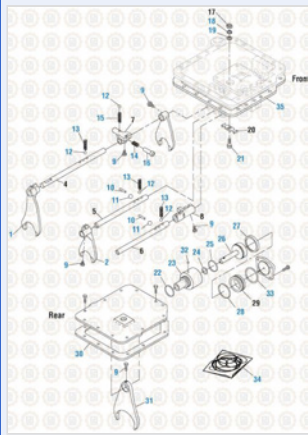
GGK-3839



Drive Train 2016
Shifter Components - T2070 B & D



Drive Train 2016
Shifter Components - T2130 and T2180



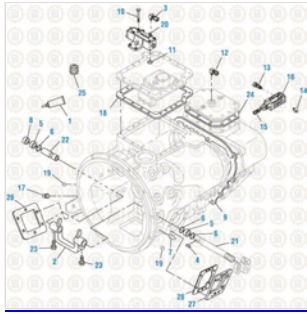
Drive Train 2016
Shifter Components - T2070 A & C

Copyright © 2020 PAI Industries, Inc.
All rights reserved. All content is property of PAI Industries, Inc. and may not be reproduced or redistributed in any form.

Any reference to OEM names or OEM product identification numbers/descriptions/model numbers is for identification only and does not indicate that it is an OEM part. PAI is not affiliated with Mack Truck, Inc.®, Volvo®, Fuller®, Cummins®, Eaton®, Rockwell®, Caterpillar®, Freightliner®, Hendrickson®, Kenworth®, Detroit Diesel®, International®, Peterbilt®, or Dana®. All Manufacturer's names, numbers, symbols and descriptions are used for reference only. It is not implied that any part listed is the product of these manufacturers.

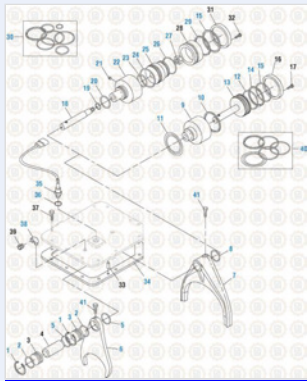
REAR SHIFT COVER GASKET

GGK-3839



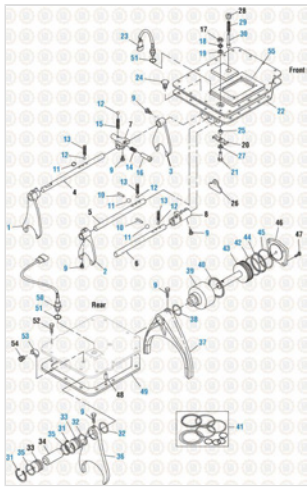
Drive Train 2016

T309L and T310 - Compound and Main Case Assembly - T309L and T310



Drive Train 2016

Rear Shifter Components - T2110 B and D



Drive Train 2016

Shifter Components - T309L and T310

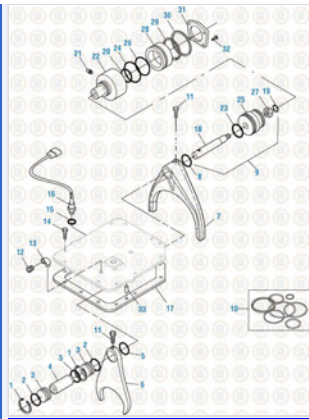
Copyright © 2020 PAI Industries, Inc.

All rights reserved. All content is property of PAI Industries, Inc. and may not be reproduced or redistributed in any form.

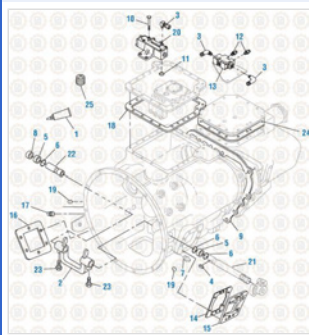
Any reference to OEM names or OEM product identification numbers/descriptions/model numbers is for identification only and does not indicate that it is an OEM part. PAI is not affiliated with Mack Truck, Inc.®, Volvo®, Fuller®, Cummins®, Eaton®, Rockwell®, Caterpillar®, Freightliner®, Hendrickson®, Kenworth®, Detroit Diesel®, International®, Peterbilt®, or Dana®. All Manufacturer's names, numbers, symbols and descriptions are used for reference only. It is not implied that any part listed is the product of these manufacturers.

REAR SHIFT COVER GASKET

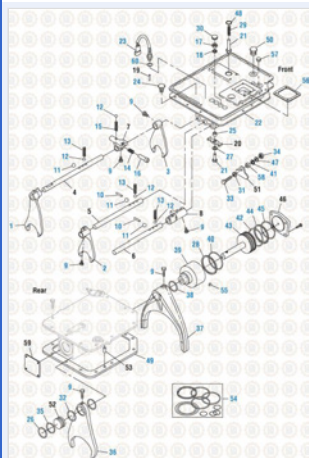
GGK-3839



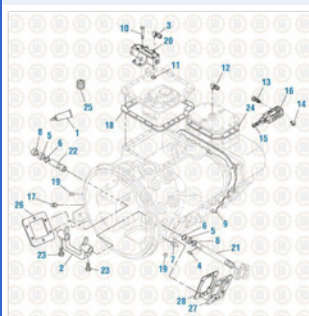
Drive Train 2016
Rear Shifter Components - T2080B



Drive Train 2016
Compound and Main Case Assembly - T313L and T318L



Drive Train 2016
Shifter Components - T313L and T318L



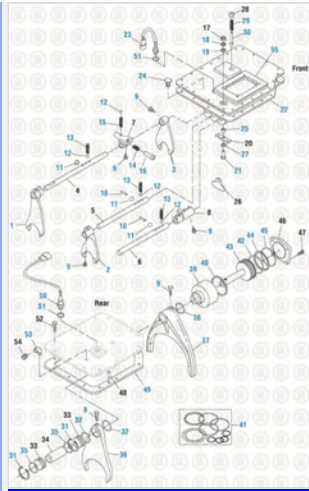
Drive Train 2016
Compound and Main Case Assembly - T310M

Copyright © 2020 PAI Industries, Inc.
All rights reserved. All content is property of PAI Industries, Inc. and may not be reproduced or redistributed in any form.

Any reference to OEM names or OEM product identification numbers/descriptions/model numbers is for identification only and does not indicate that it is an OEM part. PAI is not affiliated with Mack Truck, Inc.®, Volvo®, Fuller®, Cummins®, Eaton®, Rockwell®, Caterpillar®, Freightliner®, Hendrickson®, Kenworth®, Detroit Diesel®, International®, Peterbilt®, or Dana®. All Manufacturer's names, numbers, symbols and descriptions are used for reference only. It is not implied that any part listed is the product of these manufacturers.

REAR SHIFT COVER GASKET

GGK-3839



Drive Train 2016
Shifter Components - T310M

Component Of:

SKU	Image	Description
GGK-3838		GASKET KIT
GBK-8955-300		GASKET AND SEAL KIT
806803		SYNCHRONIZER REPAIR KIT
806860		GASKET KIT

Copyright © 2020 PAI Industries, Inc.
All rights reserved. All content is property of PAI Industries, Inc. and may not be reproduced or redistributed in any form.

Any reference to OEM names or OEM product identification numbers/descriptions/model numbers is for identification only and does not indicate that it is an OEM part. PAI is not affiliated with Mack Truck, Inc.®, Volvo®, Fuller®, Cummins®, Eaton®, Rockwell®, Caterpillar®, Freightliner®, Hendrickson®, Kenworth®, Detroit Diesel®, International®, Peterbilt®, or Dana®. All Manufacturer's names, numbers, symbols and descriptions are used for reference only. It is not implied that any part listed is the product of these manufacturers.

REAR SHIFT COVER GASKET

GGK-3839

Cross Reference:

Manufacturer	OEM Number
MACK	629KB335
MACK	629KB335A
MACK	25500633

Copyright © 2020 PAI Industries, Inc.

All rights reserved. All content is property of PAI Industries, Inc. and may not be reproduced or redistributed in any form.

Any reference to OEM names or OEM product identification numbers/descriptions/model numbers is for identification only and does not indicate that it is an OEM part. PAI is not affiliated with Mack Truck, Inc.®, Volvo®, Fuller®, Cummins®, Eaton®, Rockwell®, Caterpillar®, Freightliner®, Hendrickson®, Kenworth®, Detroit Diesel®, International®, Peterbilt®, or Dana®. All Manufacturer's names, numbers, symbols and descriptions are used for reference only. It is not implied that any part listed is the product of these manufacturers.