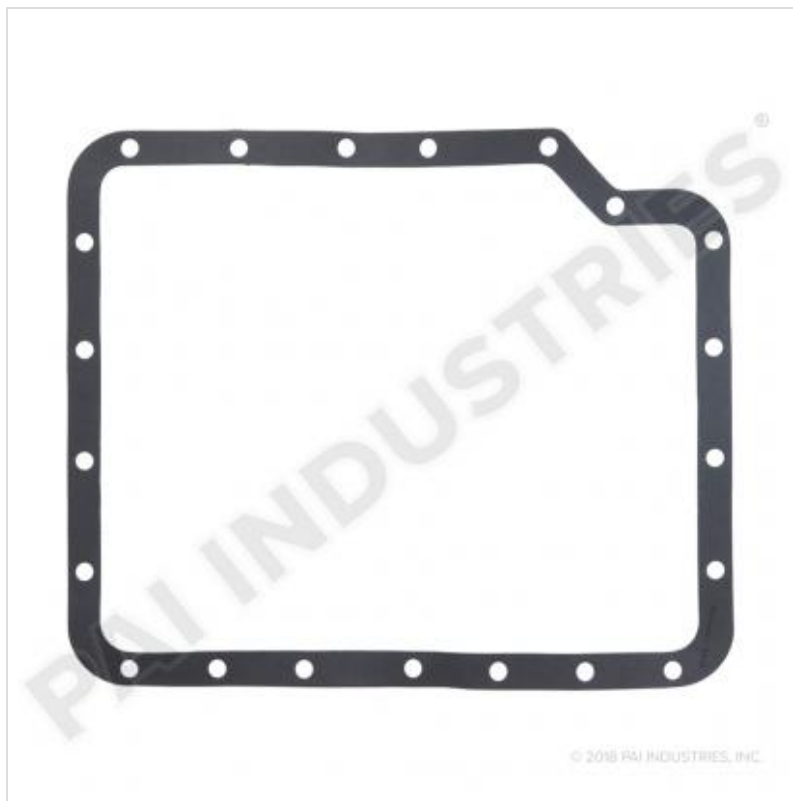


SHIFT COVER GASKET

GGK-3836



Description: SHIFT COVER GASKET
SKU: GGK-3836
OEM: 629KB411
Product Group: TRANSMISSION
Product Class: BEARINGS; BEARING, SEAL & GASKET KITS
UPC Code: 193807209230
Sell Pack: 6 EA
 (Available to buy in increments of 6)
Weight: 0.40 LBS
Warranty: 2 Years



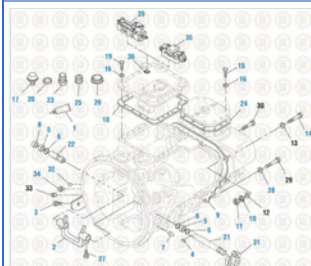
© 2018 PAI INDUSTRIES, INC.

Details:

Shift Cover Gasket
 Mack T2070A/C T2050/T2060/T309L/T310M/T313L/T318L Transmission Application

E-Catalog Pages:

Catalog Page	Description
--------------	-------------



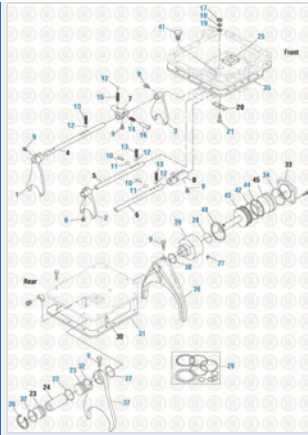
Drive Train 2016
 Compound and Main Case Assembly - T2080B

Copyright © 2020 PAI Industries, Inc.
 All rights reserved. All content is property of PAI Industries, Inc, and may not be reproduced or redistributed in any form.

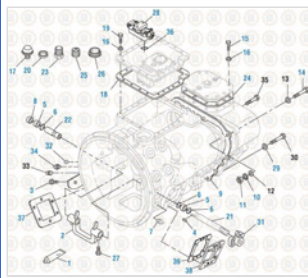
Any reference to OEM names or OEM product identification numbers/descriptions/model numbers is for identification only and does not indicate that it is an OEM part. PAI is not affiliated with Mack Truck, Inc.®, Volvo®, Fuller®, Cummins®, Eaton®, Rockwell®, Caterpillar®, Freightliner®, Hendrickson®, Kenworth®, Detroit Diesel®, International®, Peterbilt®, or Dana®. All Manufacturer's names, numbers, symbols and descriptions are used for reference only. It is not implied that any part listed is the product of these manufacturers.

SHIFT COVER GASKET

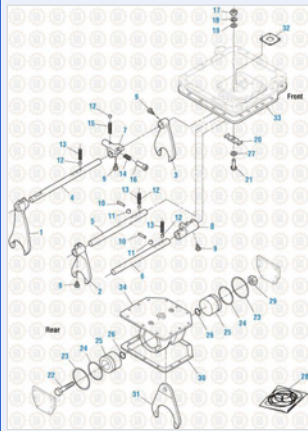
GGK-3836



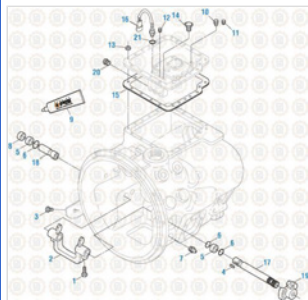
Drive Train 2016
Shifter Components - T2070 B & D



Drive Train 2016
Compound and Main Case Assembly - T2080, T2090 and T2100



Drive Train 2016
Shifter Components - T2080, T2090 and T2100



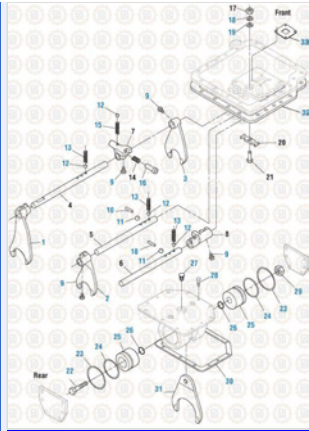
Drive Train 2016
Case and Cover Assemblies - T2050

Copyright © 2020 PAI Industries, Inc.
All rights reserved. All content is property of PAI Industries, Inc. and may not be reproduced or redistributed in any form.

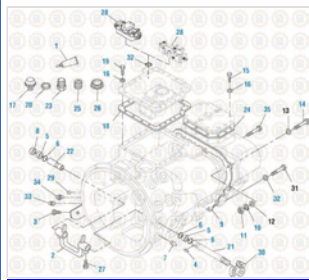
Any reference to OEM names or OEM product identification numbers/descriptions/model numbers is for identification only and does not indicate that it is an OEM part. PAI is not affiliated with Mack Truck, Inc.®, Volvo®, Fuller®, Cummins®, Eaton®, Rockwell®, Caterpillar®, Freightliner®, Hendrickson®, Kenworth®, Detroit Diesel®, International®, Peterbilt®, or Dana®. All Manufacturer's names, numbers, symbols and descriptions are used for reference only. It is not implied that any part listed is the product of these manufacturers.

SHIFT COVER GASKET

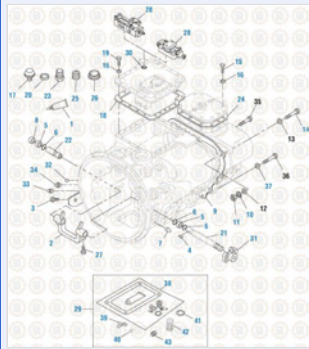
GGK-3836



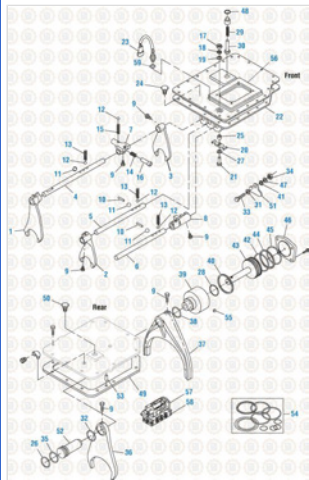
Drive Train 2016
Shifter Components - T2060 & T2070



Drive Train 2016
Compound and Main Case Assembly - T2060 & T2070



Drive Train 2016
Compound and Main Case Assembly - T2130 and T2180



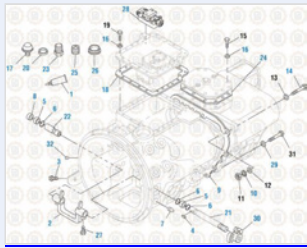
Drive Train 2016
Shifter Components - T2130 and T2180

Copyright © 2020 PAI Industries, Inc.
All rights reserved. All content is property of PAI Industries, Inc. and may not be reproduced or redistributed in any form.

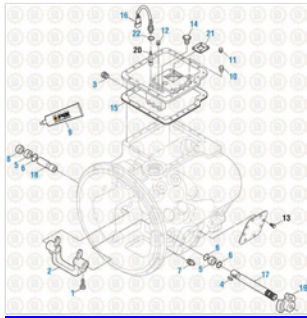
Any reference to OEM names or OEM product identification numbers/descriptions/model numbers is for identification only and does not indicate that it is an OEM part. PAI is not affiliated with Mack Truck, Inc.®, Volvo®, Fuller®, Cummins®, Eaton®, Rockwell®, Caterpillar®, Freightliner®, Hendrickson®, Kenworth®, Detroit Diesel®, International®, Peterbilt®, or Dana®. All Manufacturer's names, numbers, symbols and descriptions are used for reference only. It is not implied that any part listed is the product of these manufacturers.

SHIFT COVER GASKET

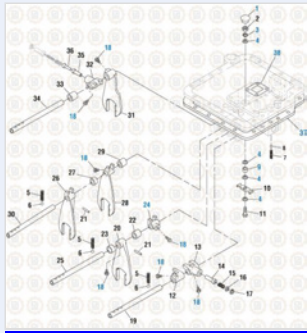
GGK-3836



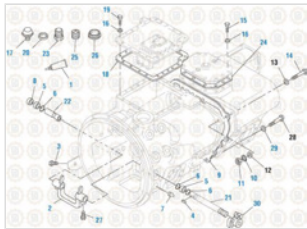
Drive Train 2016
Compound and Main Case Assembly - T2110 B and D



Drive Train 2016
Case and Cover Assembly - T2060A



Drive Train 2016
Shifter Components - T2060A



Drive Train 2016
Compound & Main Case Assembly - T2070 A & C

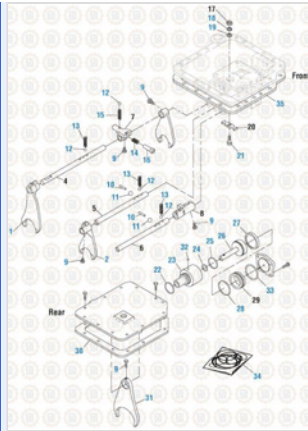
Copyright © 2020 PAI Industries, Inc.

All rights reserved. All content is property of PAI Industries, Inc. and may not be reproduced or redistributed in any form.

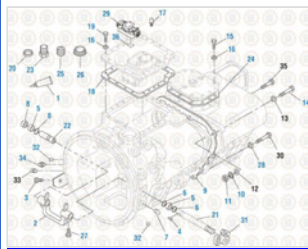
Any reference to OEM names or OEM product identification numbers/descriptions/model numbers is for identification only and does not indicate that it is an OEM part. PAI is not affiliated with Mack Truck, Inc.®, Volvo®, Fuller®, Cummins®, Eaton®, Rockwell®, Caterpillar®, Freightliner®, Hendrickson®, Kenworth®, Detroit Diesel®, International®, Peterbilt®, or Dana®. All Manufacturer's names, numbers, symbols and descriptions are used for reference only. It is not implied that any part listed is the product of these manufacturers.

SHIFT COVER GASKET

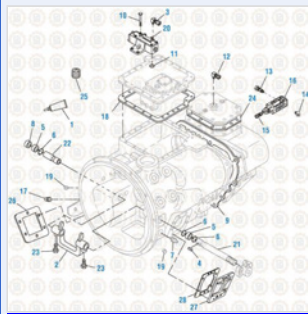
GGK-3836



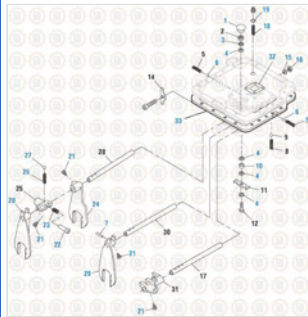
Drive Train 2016
Shifter Components - T2070 A & C



Drive Train 2016
Compound & Main Case Assembly - T2070 B & D



Drive Train 2016
T309L and T310 - Compound and Main Case Assembly - T309L and T310



Drive Train 2016
Front Shifter Components - T2110 B and D

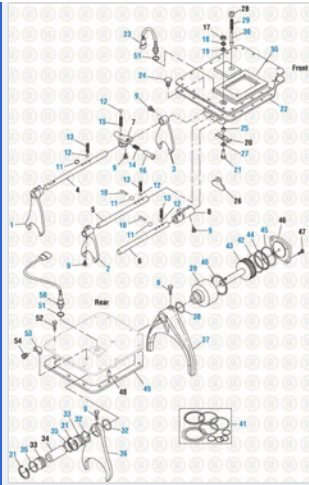
Copyright © 2020 PAI Industries, Inc.

All rights reserved. All content is property of PAI Industries, Inc. and may not be reproduced or redistributed in any form.

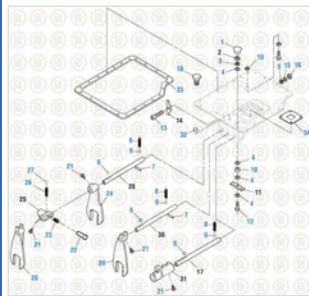
Any reference to OEM names or OEM product identification numbers/descriptions/model numbers is for identification only and does not indicate that it is an OEM part. PAI is not affiliated with Mack Truck, Inc.®, Volvo®, Fuller®, Cummins®, Eaton®, Rockwell®, Caterpillar®, Freightliner®, Hendrickson®, Kenworth®, Detroit Diesel®, International®, Peterbilt®, or Dana®. All Manufacturer's names, numbers, symbols and descriptions are used for reference only. It is not implied that any part listed is the product of these manufacturers.

SHIFT COVER GASKET

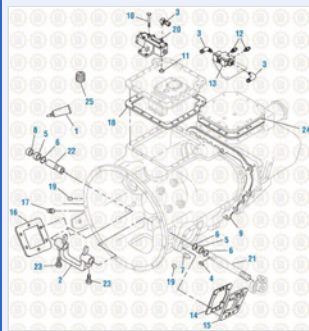
GGK-3836



Drive Train 2016
Shifter Components - T309L and T310



Drive Train 2016
Front Shifter Components - T2080B



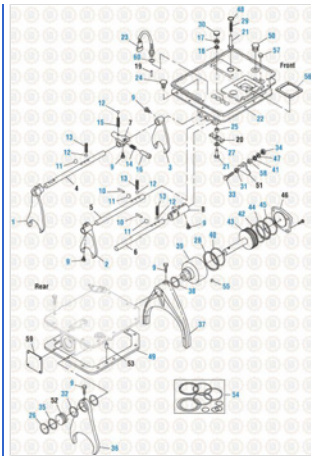
Drive Train 2016
Compound and Main Case Assembly - T313L and T318L

Copyright © 2020 PAI Industries, Inc.
All rights reserved. All content is property of PAI Industries, Inc, and may not be reproduced or redistributed in any form.

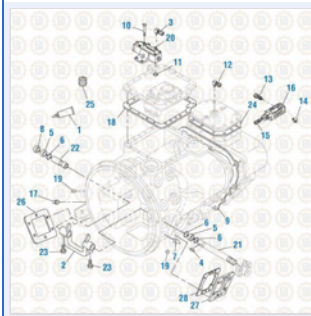
Any reference to OEM names or OEM product identification numbers/descriptions/model numbers is for identification only and does not indicate that it is an OEM part. PAI is not affiliated with Mack Truck, Inc.®, Volvo®, Fuller®, Cummins®, Eaton®, Rockwell®, Caterpillar®, Freightliner®, Hendrickson®, Kenworth®, Detroit Diesel®, International®, Peterbilt®, or Dana®. All Manufacturer's names, numbers, symbols and descriptions are used for reference only. It is not implied that any part listed is the product of these manufacturers.

SHIFT COVER GASKET

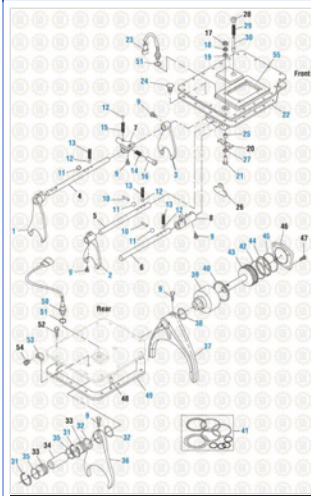
GGK-3836



Drive Train 2016
Shifter Components - T313L and T318L



Drive Train 2016
Compound and Main Case Assembly - T310M



Drive Train 2016
Shifter Components - T310M

Component Of:






SKU	Image	Description

Copyright © 2020 PAI Industries, Inc.
All rights reserved. All content is property of PAI Industries, Inc. and may not be reproduced or redistributed in any form.

Any reference to OEM names or OEM product identification numbers/descriptions/model numbers is for identification only and does not indicate that it is an OEM part. PAI is not affiliated with Mack Truck, Inc.®, Volvo®, Fuller®, Cummins®, Eaton®, Rockwell®, Caterpillar®, Freightliner®, Hendrickson®, Kenworth®, Detroit Diesel®, International®, Peterbilt®, or Dana®. All Manufacturer's names, numbers, symbols and descriptions are used for reference only. It is not implied that any part listed is the product of these manufacturers.

SHIFT COVER GASKET

GGK-3836

GGS-3838		GASKET KIT
GGS-3971		TRANSMISSION GASKET KIT
GGS-3972		TRANSMISSION GASKET KIT
GBK-5942		BEARING AND SEAL KIT
GBK-8955-300		GASKET AND SEAL KIT
GBK-8956		BEARING AND SEAL KIT
GBK-8957		BEARING AND SEAL KIT
GBK-8958-300		GASKET AND SEAL KIT
806860		GASKET KIT

Cross Reference:	
Manufacturer	OEM Number
MACK	629KB411
MACK	629KB417
MACK	25500176

Copyright © 2020 PAI Industries, Inc.
 All rights reserved. All content is property of PAI Industries, Inc. and may not be reproduced or redistributed in any form.

Any reference to OEM names or OEM product identification numbers/descriptions/model numbers is for identification only and does not indicate that it is an OEM part. PAI is not affiliated with Mack Truck, Inc.®, Volvo®, Fuller®, Cummins®, Eaton®, Rockwell®, Caterpillar®, Freightliner®, Hendrickson®, Kenworth®, Detroit Diesel®, International®, Peterbilt®, or Dana®. All Manufacturer's names, numbers, symbols and descriptions are used for reference only. It is not implied that any part listed is the product of these manufacturers.