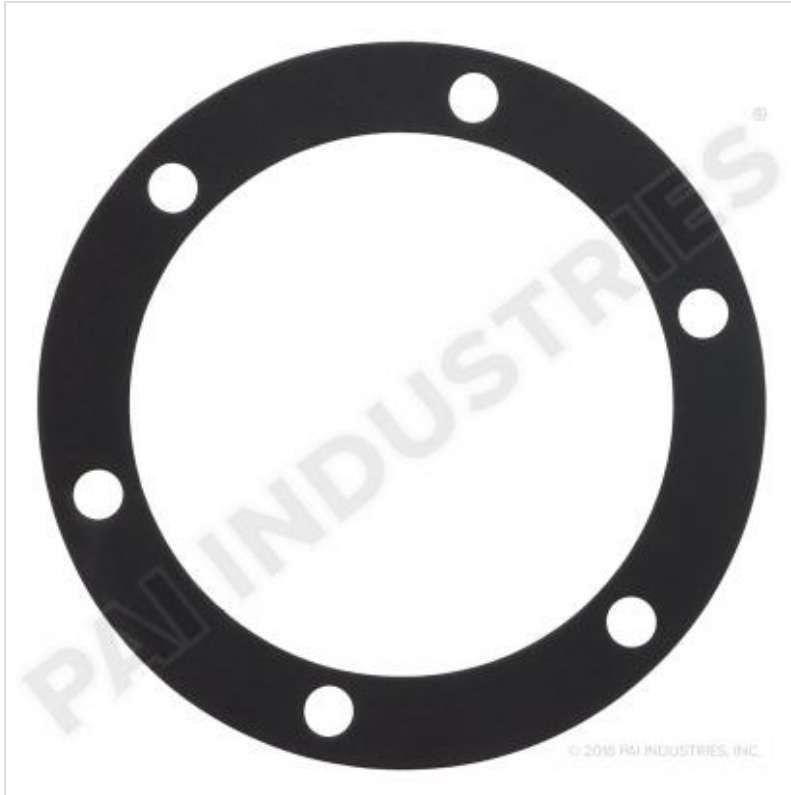


GASKET

BGK-3831



Description: GASKET
SKU: BGK-3831
OEM: 50KH319
Product Group: DIFFERENTIAL
Product Class: BEARING, SEAL & GASKET KITS
UPC Code: 193807209186
Sell Pack: 5 EA
 (Available to buy in increments of 5)
Weight: 0.43 LBS
Warranty: 2 Years



Details:

Front Cover Gasket
 Lockout application
 Mack CRD 150/151 Differential application
 Mack CRDP 200/202 Differential application
 Mack CRD 201/203 Differential application

E-Catalog Pages:

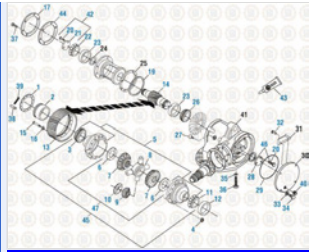
Catalog Page	Description
	<p>Drive Train 2016 CRDP 200/202</p>

Copyright © 2020 PAI Industries, Inc.
 All rights reserved. All content is property of PAI Industries, Inc. and may not be reproduced or redistributed in any form.

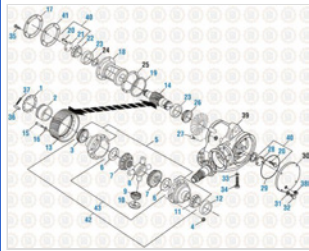
Any reference to OEM names or OEM product identification numbers/descriptions/model numbers is for identification only and does not indicate that it is an OEM part. PAI is not affiliated with Mack Truck, Inc.®, Volvo®, Fuller®, Cummins®, Eaton®, Rockwell®, Caterpillar®, Freightliner®, Hendrickson®, Kenworth®, Detroit Diesel®, International®, Peterbilt®, or Dana®. All Manufacturer's names, numbers, symbols and descriptions are used for reference only. It is not implied that any part listed is the product of these manufacturers.

GASKET

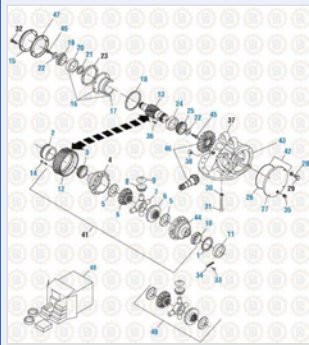
BGK-3831



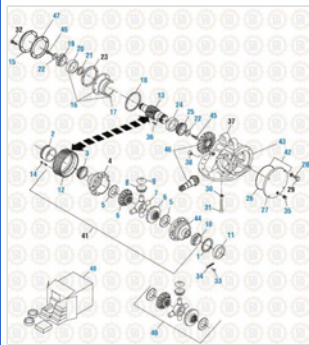
Drive Train 2016
CRDP 200/202



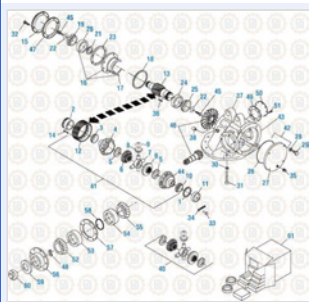
Drive Train 2016
CRD 201/203



Drive Train 2016
CRD 150



Drive Train 2016
CRD 150



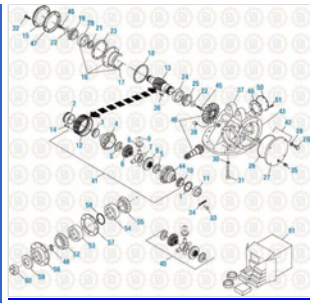
PAI Mack & Volvo Applications 2018
Components - CRD 151

Copyright © 2020 PAI Industries, Inc.
All rights reserved. All content is property of PAI Industries, Inc, and may not be reproduced or redistributed in any form.

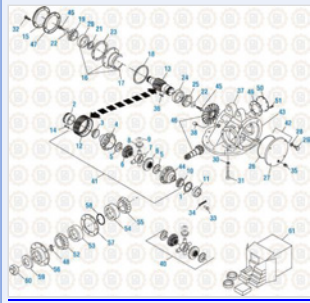
Any reference to OEM names or OEM product identification numbers/descriptions/model numbers is for identification only and does not indicate that it is an OEM part. PAI is not affiliated with Mack Truck, Inc.®, Volvo®, Fuller®, Cummins®, Eaton®, Rockwell®, Caterpillar®, Freightliner®, Hendrickson®, Kenworth®, Detroit Diesel®, International®, Peterbilt®, or Dana®. All Manufacturer's names, numbers, symbols and descriptions are used for reference only. It is not implied that any part listed is the product of these manufacturers.

GASKET

BGK-3831



PAI Mack & Volvo Applications 2018
Components - CRD 151



PAI Mack & Volvo Applications 2018
Components - CRD 151

Component Of:

SKU	Image	Description
EM71030		SEAL AND BEARING KIT
BBK-7103		BEARING AND SEAL KIT
BBK-7119		BEARING AND SEAL KIT
806804		SYNCHRONIZER REPAIR KIT
806865		BEARING AND SEAL KIT

Copyright © 2020 PAI Industries, Inc.
All rights reserved. All content is property of PAI Industries, Inc. and may not be reproduced or redistributed in any form.

Any reference to OEM names or OEM product identification numbers/descriptions/model numbers is for identification only and does not indicate that it is an OEM part. PAI is not affiliated with Mack Truck, Inc.®, Volvo®, Fuller®, Cummins®, Eaton®, Rockwell®, Caterpillar®, Freightliner®, Hendrickson®, Kenworth®, Detroit Diesel®, International®, Peterbilt®, or Dana®. All Manufacturer's names, numbers, symbols and descriptions are used for reference only. It is not implied that any part listed is the product of these manufacturers.

GASKET

BGK-3831

[806866](#)

BEARING KIT

Cross Reference:

Manufacturer	OEM Number
MACK	25101682
MACK	20706312
MACK	50KH319

Copyright © 2020 PAI Industries, Inc.

All rights reserved. All content is property of PAI Industries, Inc, and may not be reproduced or redistributed in any form.

Any reference to OEM names or OEM product identification numbers/descriptions/model numbers is for identification only and does not indicate that it is an OEM part. PAI is not affiliated with Mack Truck, Inc.®, Volvo®, Fuller®, Cummins®, Eaton®, Rockwell®, Caterpillar®, Freightliner®, Hendrickson®, Kenworth®, Detroit Diesel®, International®, Peterbilt®, or Dana®. All Manufacturer's names, numbers, symbols and descriptions are used for reference only. It is not implied that any part listed is the product of these manufacturers.