

ADJUSTING LEVER

GLE-3562



Description:	ADJUSTING LEVER
SKU:	GLE-3562
OEM:	4RU362
Product Group:	CLUTCH & CLUTCH RELEASE PARTS
Product Class:	CLUTCH RELEASE PARTS (BELL HOUSING RELATED)
UPC Code:	193807205768
Sell Pack:	1 EA
Weight:	1.04 LBS
Package Dimensions (LxWxH):	3 x 3 x 4 inches
Warranty:	2 Years



Details:
Adjusting Lever Involute Spline Mack Engine Multiple Use application Drive Train T2110B and D/T2080B/T2050/T2060A application

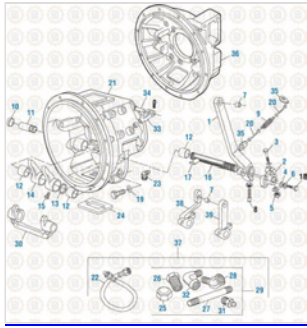
E-Catalog Pages:	
Catalog Page	Description

Copyright © 2020 PAI Industries, Inc.
 All rights reserved. All content is property of PAI Industries, Inc, and may not be reproduced or redistributed in any form.

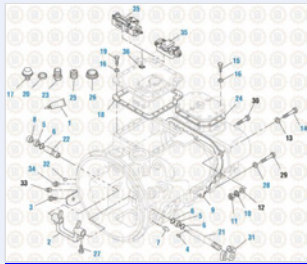
Any reference to OEM names or OEM product identification numbers/descriptions/model numbers is for identification only and does not indicate that it is an OEM part. PAI is not affiliated with Mack Truck, Inc.®, Volvo®, Fuller®, Cummins®, Eaton®, Rockwell®, Caterpillar®, Freightliner®, Hendrickson®, Kenworth®, Detroit Diesel®, International®, Peterbilt®, or Dana®. All Manufacturer's names, numbers, symbols and descriptions are used for reference only. It is not implied that any part listed is the product of these manufacturers.

ADJUSTING LEVER

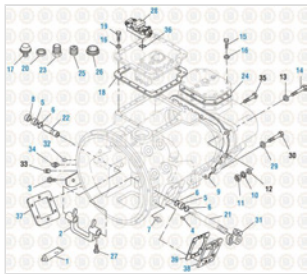
GLE-3562



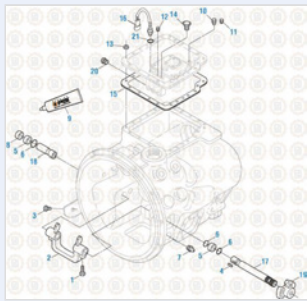
Drive Train 2016
Bell Housing - Mack Application - Transmission



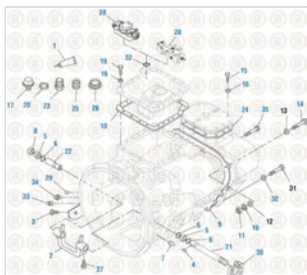
Drive Train 2016
Compound and Main Case Assembly - T2080B



Drive Train 2016
Compound and Main Case Assembly - T2080, T2090 and T2100



Drive Train 2016
Case and Cover Assemblies - T2050



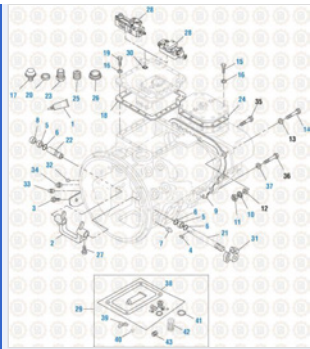
Drive Train 2016
Compound and Main Case Assembly - T2060 & T2070

Copyright © 2020 PAI Industries, Inc.
All rights reserved. All content is property of PAI Industries, Inc, and may not be reproduced or redistributed in any form.

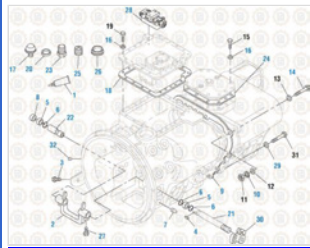
Any reference to OEM names or OEM product identification numbers/descriptions/model numbers is for identification only and does not indicate that it is an OEM part. PAI is not affiliated with Mack Truck, Inc.®, Volvo®, Fuller®, Cummins®, Eaton®, Rockwell®, Caterpillar®, Freightliner®, Hendrickson®, Kenworth®, Detroit Diesel®, International®, Peterbilt®, or Dana®. All Manufacturer's names, numbers, symbols and descriptions are used for reference only. It is not implied that any part listed is the product of these manufacturers.

ADJUSTING LEVER

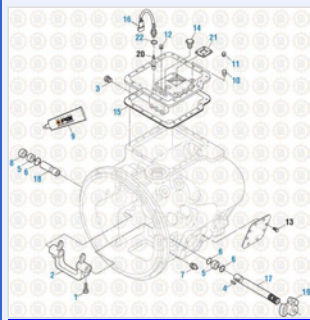
GLE-3562



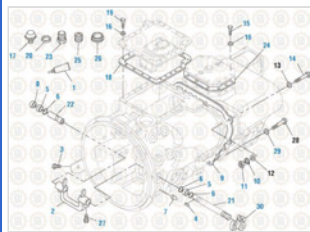
Drive Train 2016
Compound and Main Case Assembly - T2130 and T2180



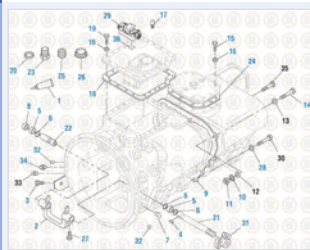
Drive Train 2016
Compound and Main Case Assembly - T2110 B and D



Drive Train 2016
Case and Cover Assembly - T2060A



Drive Train 2016
Compound & Main Case Assembly - T2070 A & C



Drive Train 2016
Compound & Main Case Assembly - T2070 B & D

Cross Reference:

Manufacturer

OEM Number

Copyright © 2020 PAI Industries, Inc.
All rights reserved. All content is property of PAI Industries, Inc. and may not be reproduced or redistributed in any form.

Any reference to OEM names or OEM product identification numbers/descriptions/model numbers is for identification only and does not indicate that it is an OEM part. PAI is not affiliated with Mack Truck, Inc.®, Volvo®, Fuller®, Cummins®, Eaton®, Rockwell®, Caterpillar®, Freightliner®, Hendrickson®, Kenworth®, Detroit Diesel®, International®, Peterbilt®, or Dana®. All Manufacturer's names, numbers, symbols and descriptions are used for reference only. It is not implied that any part listed is the product of these manufacturers.

ADJUSTING LEVER

GLE-3562

MACK	14RU362
MACK	4RU362
MACK	33MX315
MACK	4RU362P2
MACK	25155053

Copyright © 2020 PAI Industries, Inc.

All rights reserved. All content is property of PAI Industries, Inc. and may not be reproduced or redistributed in any form.

Any reference to OEM names or OEM product identification numbers/descriptions/model numbers is for identification only and does not indicate that it is an OEM part. PAI is not affiliated with Mack Truck, Inc.®, Volvo®, Fuller®, Cummins®, Eaton®, Rockwell®, Caterpillar®, Freightliner®, Hendrickson®, Kenworth®, Detroit Diesel®, International®, Peterbilt®, or Dana®. All Manufacturer's names, numbers, symbols and descriptions are used for reference only. It is not implied that any part listed is the product of these manufacturers.